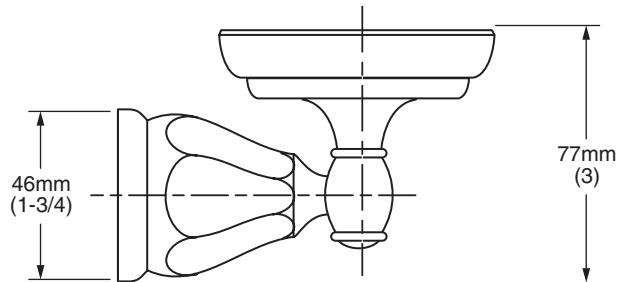
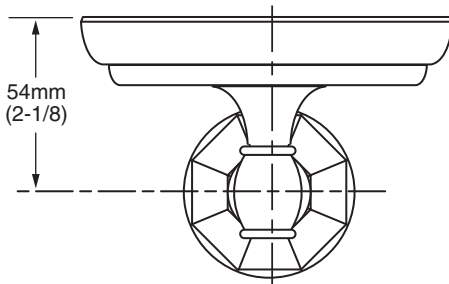
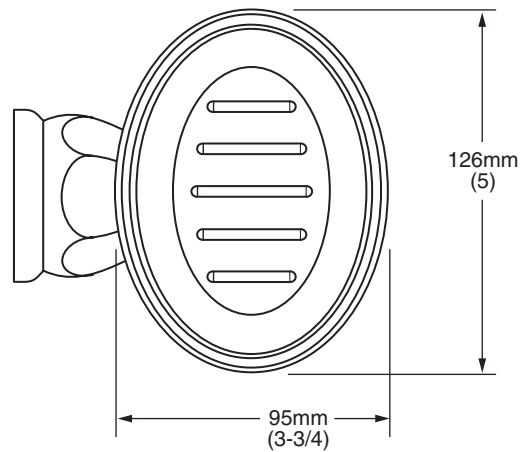


MODEL NUMBER:

❑ 6095 Soap Dish

Available Finishes:

Polished Chrome



PRODUCT FEATURES:

Heavy Duty Construction: Highest quality materials for durability & long life.

Concealed Mounting: No exposed set screws.

Materials of Construction: Body and escutcheon - zinc.
Soap Dish - clear glass.

Easy to Install.

Choice of Finishes: Polished Chrome and Satin Nickel.

SUGGESTED SPECIFICATION:

Soap dish shall feature heavy - duty construction. Shall feature concealed mounting with no exposed set screws. Soap Dish shall be clear glass. Soap Dish shall be American Standard Model # 6095.