

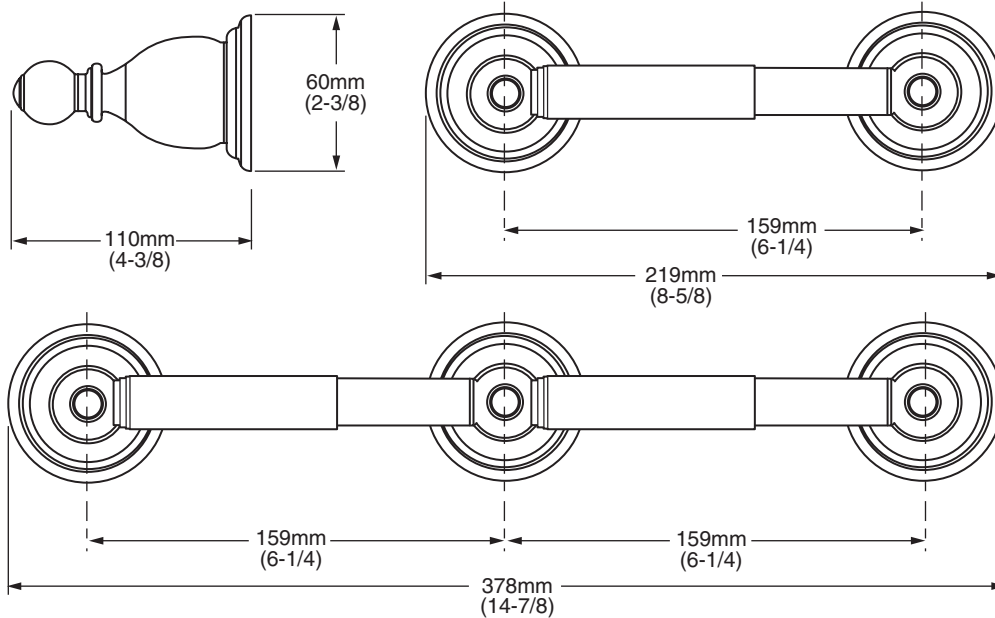
8040.230 Shown

MODEL NUMBER:

- ☐ 8040.230 - Toilet Tissue Holder
- ☐ 8040.232 - Double Toilet tissue Holder

Available Finishes

.228	Polished Chrome w/extra PVD Polished Brass accents
.234	PVD Satin Nickel w/extra Polished Chrome accents
.246	PVD Satin Nickel w/extra PVD Polished Brass accents
.099	PVD Polished Brass



PRODUCT FEATURES:

Materials of Construction: Solid brass construction for durability & long life.

Concealed Mounting: No exposed set screws.

Easy to Install

Choice of Finishes: Chrome, PVD Brass and PVD Satin Nickel. PVD finish on all Polished Brass and Satin Nickel components will never tarnish.

SUGGESTED SPECIFICATION:

Toilet Tissue Holder shall feature solid brass construction with tarnish - free PVD finish on all Polished Brass and Satin Nickel components. Shall feature concealed mounting with no exposed set screws. Toilet Tissue Holder tube shall be Brass tube. Toilet Tissue Holder shall be American Standard Model # 8030.____.____.