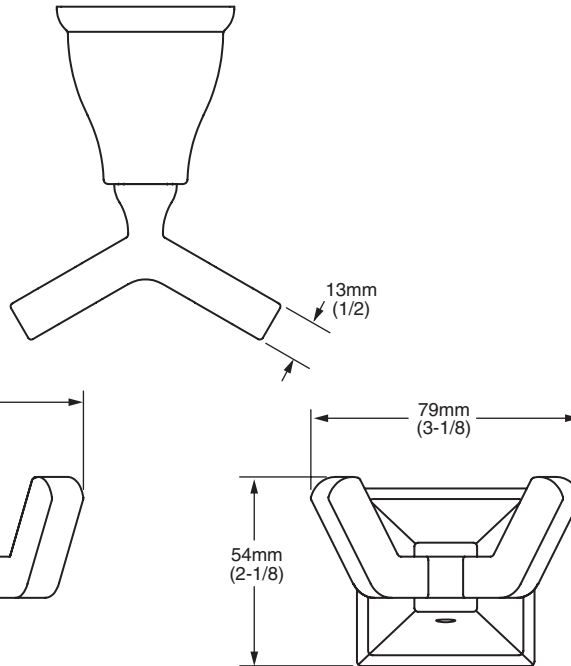


MODEL NUMBER:

☐ 2555.041 Robe Hook

Available Finishes

| | |
|------|--------------------|
| .002 | Polished Chrome |
| .099 | PVD Polished Brass |
| .295 | PVD Satin Nickel |



PRODUCT FEATURES:

Materials of Construction: Solid brass construction for durability & long life.

Concealed Mounting

Easy to Install

Choice of Finishes: Chrome, PVD Brass and PVD Satin Nickel finishes. PVD finish on all Polished Brass and Satin Nickel components will never tarnish.

SUGGESTED SPECIFICATION:

Robe Hook shall feature solid brass construction with tarnish - free PVD finish on all Polished Brass and Satin Nickel components. Shall feature concealed mounting. Robe Hook shall be American Standard Model # 2555.041 ____.