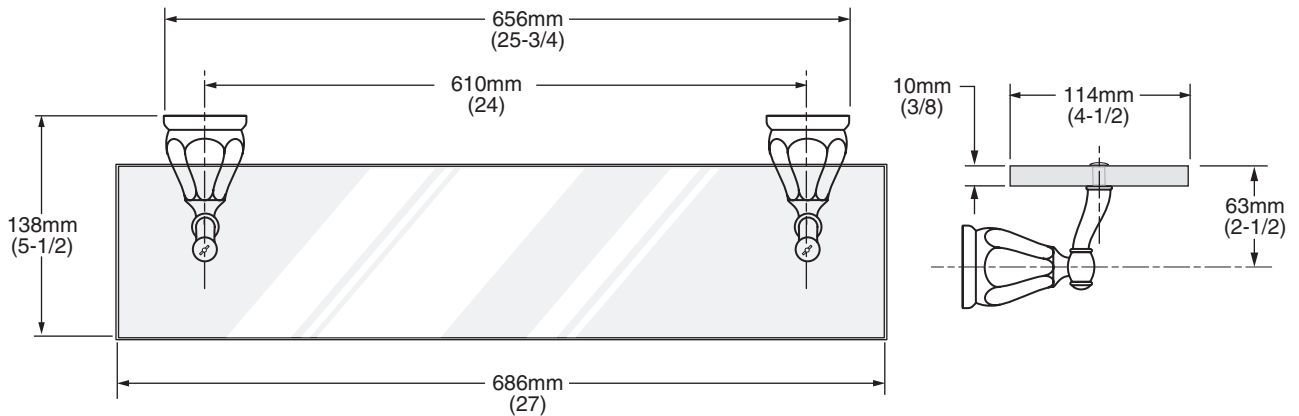


MODEL NUMBER:

■ 6028.024 24" Glass Shelf

Available Finishes

.002	Polished Chrome
.295	Satin Nickel



PRODUCT FEATURES:

Heavy Duty Construction: Highest quality materials for durability & long life.

Concealed Mounting: No exposed set screws.

Materials of Construction: Body and escutcheon - zinc. Shelf - clear tempered glass.

Easy to Install.

Choice of Finishes: Polished Chrome and Satin Nickel.

SUGGESTED SPECIFICATION:

24" Glass Shelf shall feature heavy - duty construction. Shall feature concealed mounting with no exposed set screws. Glass shelf shall be clear tempered glass. Shall be American Standard Model # 6028.024._____.