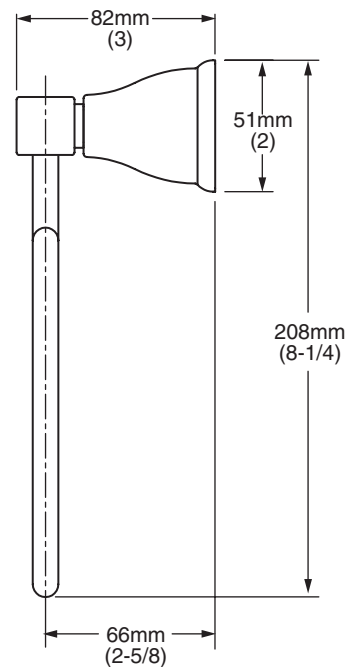
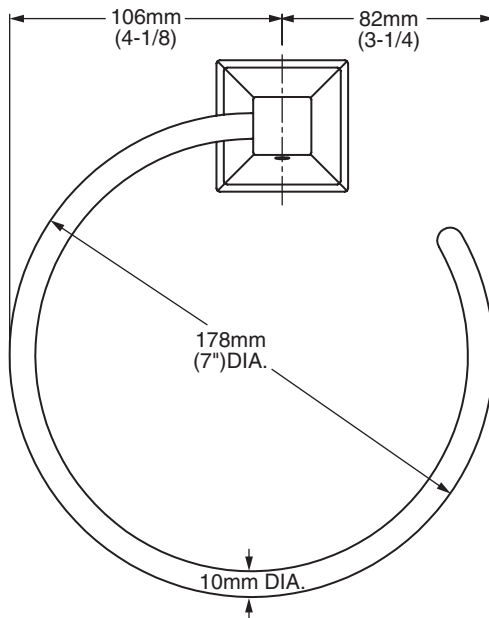


MODEL NUMBER:

☐ 2555.021 Towel Ring

Available Finishes

.002	Polished Chrome
.099	PVD Polished Brass
.295	PVD Satin Nickel



PRODUCT FEATURES:

Materials of Construction: Solid brass construction for durability & long life.

Concealed Mounting

Easy to Install

Choice of Finishes: Chrome, PVD Brass and PVD Satin finishes. PVD finish on all Polished Brass and Satin Nickel components will never tarnish.

SUGGESTED SPECIFICATION:

Towel Ring shall feature solid brass construction with tarnish-free PVD finish on all Polished Brass and Satin Nickel components. Shall feature concealed mounting. Towel Ring shall be American Standard Model # 2555.021.____.