



ORBIT™ UNDERCOUNTER SINK

- Round undermount sink
- Made from vitreous china
- Front overflow
- Unglazed rim for undercounter mounting
- Supplied with mounting kit (047194-0070A) and template

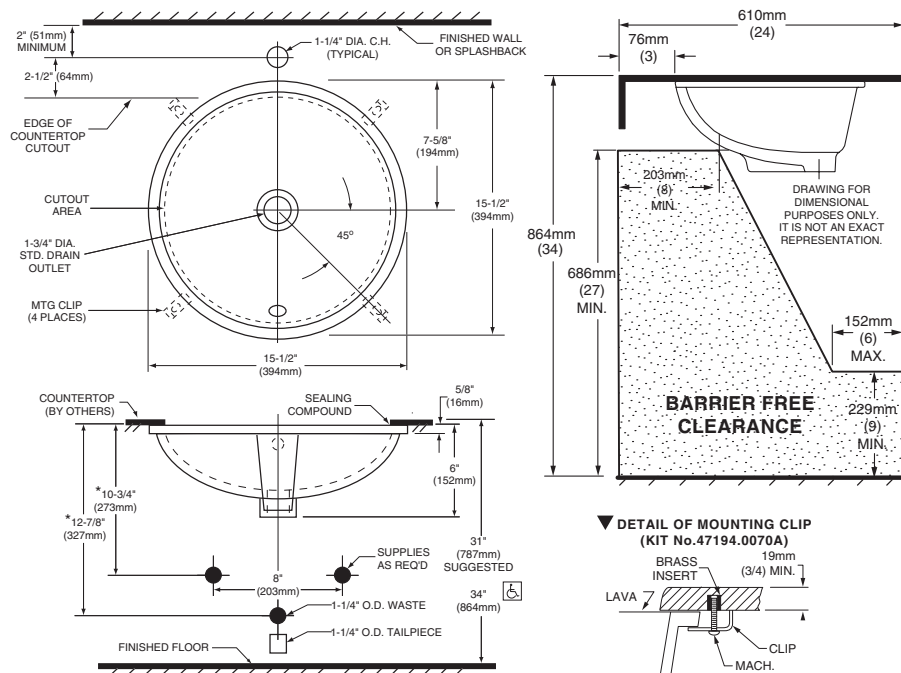
0630.000 Sink less faucet deck

Nominal Dimensions:
394mm dia. (15-1/2") Round

Bowl sizes:
324mm (12-3/4") wide
111mm (4-3/8") deep

Compliance Certifications - Meets or Exceeds the Following Specifications:

- ASME A112.19.2M for Vitreous China Fixtures
- CAN/CSA B45 series



FITTING	A	B
CENTER-SET	27mm(1-1/16)	102mm(4)
SPREAD	32mm(1-1/4)	203mm(8)

- To Be Specified:**
- Color:
 - Faucet*:
 - Faucet Finish:
 - Supplies:
 - 1-1/4" Trap:

* See faucet section for additional models available

MEETS THE AMERICANS WITH DISABILITIES ACT GUIDELINES AND ANSI A117.1 ACCESSIBLE AND USABLE BUILDINGS AND FACILITIES - CHECK LOCAL CODES.

Countertop 864mm (34") from finished floor. Lavatory installed 51mm (2") MIN. from front edge of countertop. Countertop thickness to be 25mm (1") maximum.

NOTES:

* DIMENSIONS SHOWN FOR LOCATION OF SUPPLIES AND "P" TRAP ARE SUGGESTED.

▼ UNDERCOUNTER MOUNTING KIT SUPPLIED WITH SINK. FITTINGS NOT INCLUDED WITH FIXTURE AND MUST BE ORDERED SEPARATELY. USE ENCLOSED TEMPLATE FOR COUNTERTOP CUTOUT. SEALING COMPOUND SUPPLIED BY OTHERS.

IMPORTANT: Dimensions of fixtures are nominal and may vary within the range of tolerances established by ANSI Standard A112.19.2. These measurements are subject to change or cancellation. No responsibility is assumed for use of superseded or voided pages.