

TOWN SQUARE® COUNTERTOP SINK

- American classic design
- Clean, straight lines with classic ogee curves
- Tapered interior bowl with flat bottom design provides dramatic look
- Made from vitreous china
- Self-rimming with cutout template supplied
- Front overflow

- 0700.004** Faucet holes on 4" (203mm) centers (illustrated)
- 0700.008** Faucet holes on 8" (102mm) centers
- 0700.001** Center hole only

Nominal Dimensions:

23-1/8" x 18-3/4"
(587 x 476mm)

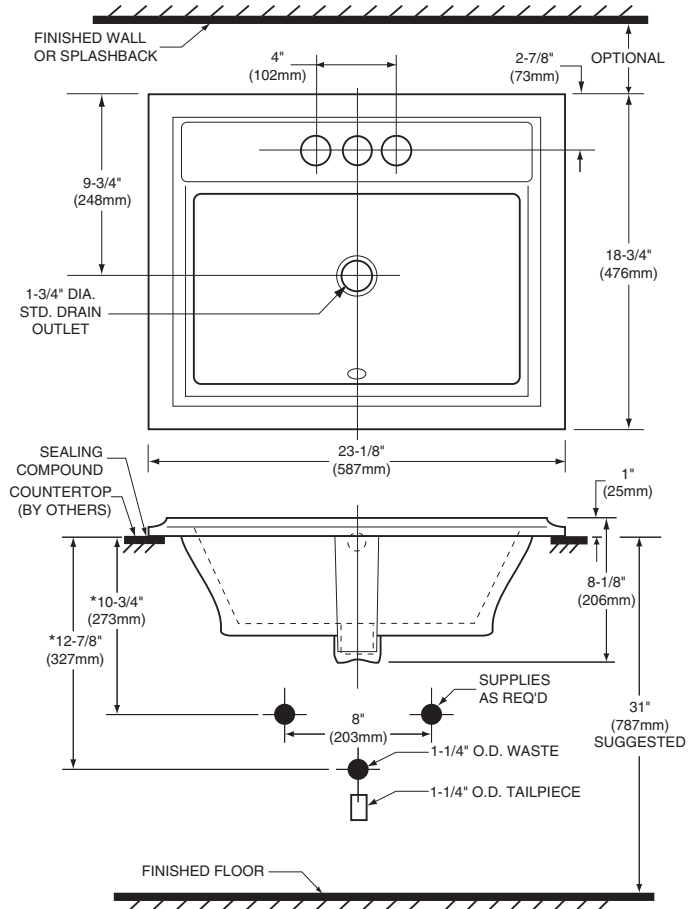
Bowl sizes:

18-1/2" (470mm) wide
10-1/2" (267mm) front to back
6-1/4" (159mm) deep

Compliance Certifications -

Meets or Exceeds the Following Specifications:

- ASME A112.19.2M for Vitreous China Fixtures
- CAN/CSA B45 series



NOTES:

* DIMENSIONS SHOWN FOR LOCATION OF SUPPLIES AND "P" TRAP ARE SUGGESTED. FOR COUNTERTOP CUTOUT AND INSTALLATION INSTRUCTIONS USE TEMPLATE SUPPLIED WITH SINK. FITTINGS NOT INCLUDED WITH FIXTURE AND MUST BE ORDERED SEPARATELY. SEALING COMPOUND SUPPLIED BY OTHERS.

IMPORTANT: Dimensions of fixtures are nominal and may vary within the range of tolerances established by ANSI Standard A112.19.2. These measurements are subject to change or cancellation. No responsibility is assumed for use of superseded or voided pages.

To Be Specified:

- Color:
- Town Square Faucet:
 - Centerset Sink Faucet: 2555.201 (shown)
 - Widespread Sink Faucet: 2555.801
- Other Sink Faucet*:
- Faucet Finish:
- Supplies:
- 1-1/4" Trap:

* See faucet section for additional models available