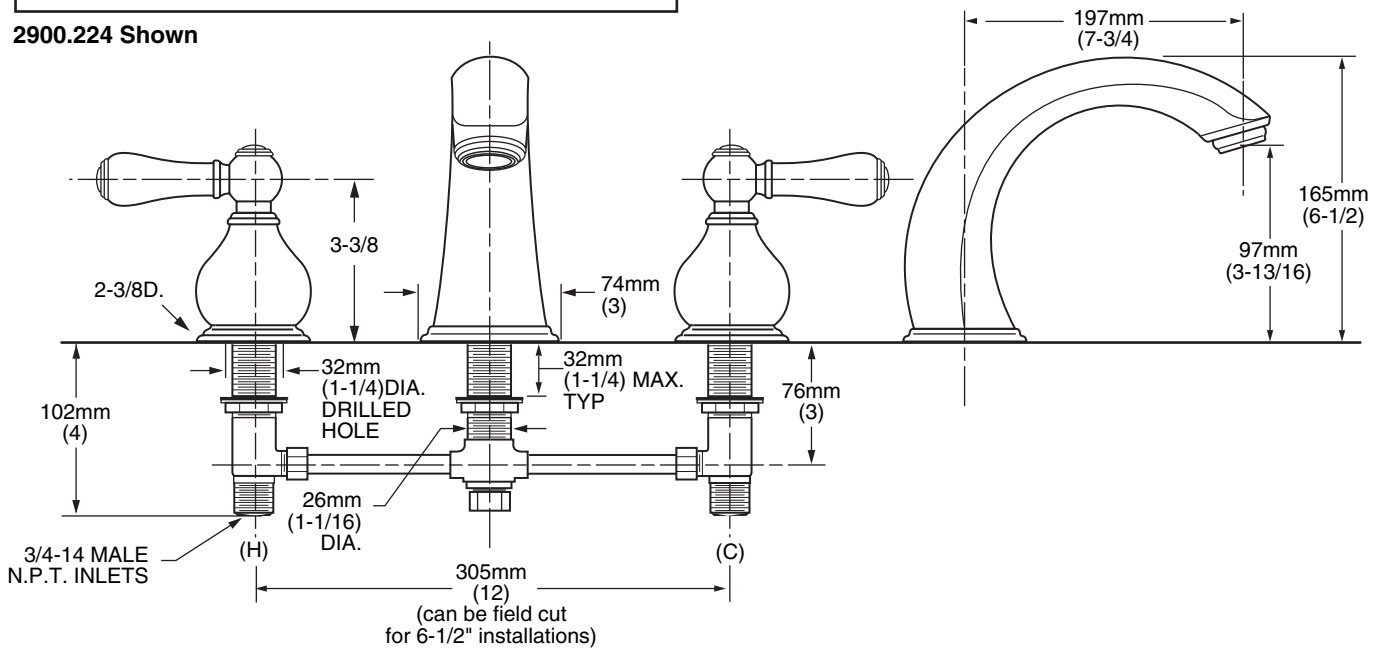


2900.224 Shown

**MODEL NUMBER:**

- ❑ **2900.222 Deck-Mount Tub Filler**  
2 sets of handles (metal levers and porcelain levers)
- ❑ **2900.224 Deck-Mount Tub Filler**  
Metal lever handles.



**GENERAL DESCRIPTION:**

Durable cast brass spout. Rigid brass and copper waterway below deck provided for 12" installations (can be cut for 6-1/2" installations). Brass valve bodies with 3/4" NPT inlets. 1/4 turn washerless ceramic disc valve cartridges - reversible for use with either lever or cross handles.

**PRODUCT FEATURES:**

**Brass Construction:** Durable. Ideal for prolonged contact with water. Provides the finest surface for application of finishes.

**Ceramic Disc Valving:** Assures a lifetime of drip-free performance.

**Exclusive Handle Alignment System:** Allows fine tuning of handle position.

**Choice of Finishes:** Polished Chrome, Polished Brass, or Polished Chrome with Brass Mixage.

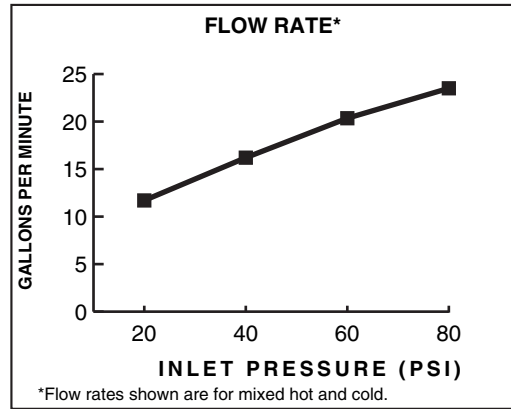
**SUGGESTED SPECIFICATION:**

Two handle deck-mount tub filler shall feature cast brass construction with brass and copper waterway. Shall also feature 1/4 turn washerless ceramic disc valve cartridges that are reversible for use with cross or lever handles. Fitting shall be American Standard Model # 2900.22\_.\_.

**CODES AND STANDARDS**

These products meet or exceed the following codes and standards:

- NSF14**
- ASME A112.18.1M**
- CSA B125**



Product Number	Description	Finish Options					
		Polished Chrome	PVD Polished Brass	PVD Satin/Chrome Mix	PVD Satin	PVD Satin/Brass Mix	P.Chrome /PVD Brass Mix
		002	099	221	295	297	299
2900.222	Deck mount tub filler. 2 sets of handles (metal levers and porcelain levers)			<b>N/A</b>	<b>N/A</b>	<b>N/A</b>	<b>N/A</b>
2900.224	Deck mount tub filler. Metal Lever handles.	<b>N/A</b>	<b>N/A</b>				

**N/A = NOT AVAILABLE**

Meets the American Disabilities Act Guidelines and **ANSI A117.1** Requirements for the physically challenged.