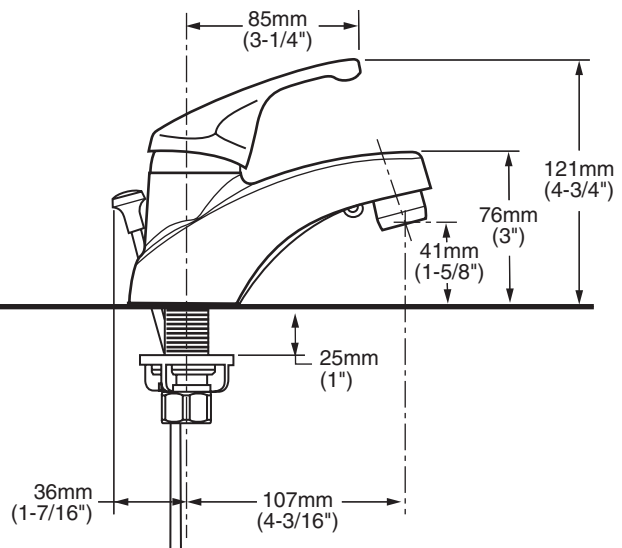
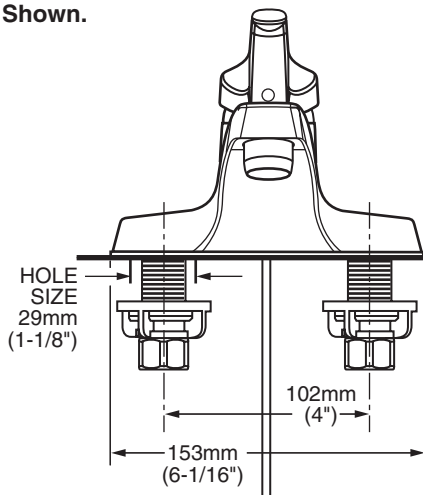


2175.200 Shown.



MODEL NUMBER:

- 2175.200 Lavatory Faucet**
Metal Lever Handle. 50/50 Pop-up drain.
- 2175.202 Lavatory Faucet**
Metal Lever Handle. Metal Pop-up drain
- 2175.205 Lavatory Faucet**
Metal Lever Handle. Less drain. With pop-up hole, plug button and rod.

GENERAL DESCRIPTION:

Single control lavatory faucet on 4" centers. Washerless 40mm ceramic disc valve cartridge. Cast brass waterway with 1/2" male threaded brass inlet shanks. Metal body. Notched underbody to receive chain and stopper. 2.2 gpm/8.3L/min. maximum flow rate. Metal lever handle with large "comfort zone".

PRODUCT FEATURES:

- Cast Brass Waterways with "City Shanks":** Strong and durable. Integral tabs on casting provide a wobble-free installation.
- Ceramic Disc Valve Cartridge:** Assures a lifetime of drip-free performance.
- Low Lead:** Meets NSF Standard 61/Section 9 & Prop 65 lead requirements.
- Longer Spout:** Provides extended reach into lavatory.
- Memory Position Valving:** Allows user to turn valve on and off at preferred temperature setting without readjusting handle position each time.
- Large "Comfort Zone":** Allows easy fine tuning of temperature.
- Simple Installation:** Fast and easy one person installation. Faucet drops in from top. Quick spin nuts secure faucet in place.

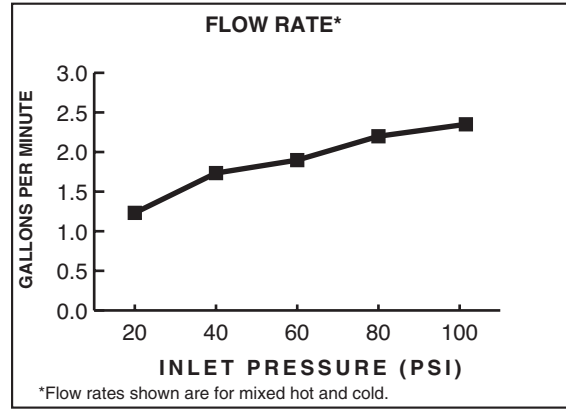
SUGGESTED SPECIFICATION:

Single control lavatory fitting shall feature cast brass waterways. Shall also feature washerless 40mm ceramic disc valve cartridge. Fitting shall be American Standard Model # 2175._____.


CODES AND STANDARDS

These products meet or exceed the following codes and standards:

- ANSI A117.1**
- ASME A112.18.1**
- NSF 61/Section 9**
- CSA B 125**



Product Number	Description	Finish
		Polished Chrome
		002
2175.200	Lavatory faucet. 50/50 Pop-up drain.	
2175.202	Lavatory faucet. Metal Pop-up drain.	
2175.205	Lavatory faucet. Less drain. With pop-up hole and rod.	

 Meets the American Disabilities Act Guidelines and **ANSI A117.1** Requirements for the physically challenged.