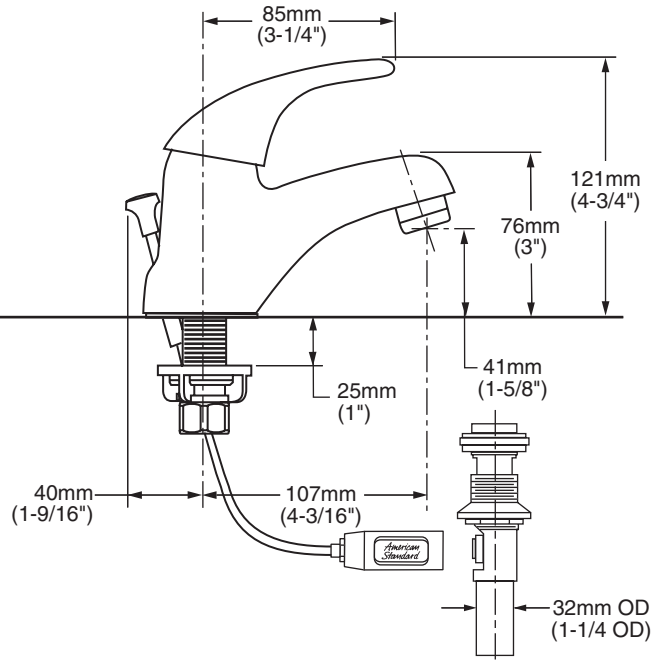
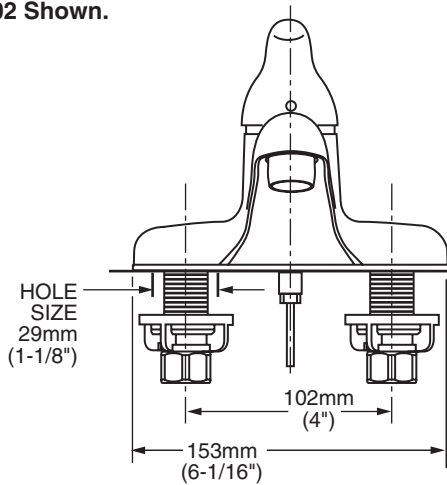




2175.502 Shown.



MODEL NUMBER:

- 2175.502 Lavatory Faucet**
Metal Lever Handle. Metal Speed Connect™
Pop-up drain
- 2175.503 Lavatory Faucet**
Metal Lever Handle. Non-Metallic Speed Connect™
Pop-up drain.

GENERAL DESCRIPTION:

Single control lavatory faucet on 4" centers. Washerless 40mm ceramic disc valve cartridge. Durable cast brass waterway with 1/2" male threaded brass inlet shanks. Metal body with color matched underbody. Metal lever handle. 20" (500mm) long flexible stainless steel drain cable is pre-assembled to faucet body. Metal Speed Connect™ drain body with 1-1/4 inch (32mm) tail piece, (2175.502). Non-Metallic Speed Connect™ drain body with 1-1/4 inch (32mm) tail piece, (2175.503). 2.2 gpm/8.3L/min. maximum flow rate.

PRODUCT FEATURES:

Cast Brass Waterways with "City Shanks": Strong and durable. Integral tabs on casting provide a wobble-free installation.

Ceramic Disc Valve Cartridge: Assures a lifetime of drip-free performance.

Low Lead: Meets NSF Standard 61/Section 9 & Prop 65 lead requirements.

Speed Connect™ Drain:

- Fewer parts. Installs in less time.
- No adjustments required - seals the first time, every time.
- Flexible stainless steel cable - installs effortlessly in tight spaces.

Longer Spout: Provides extended reach into lavatory.

Simple Installation: Fast and easy one person installation. Faucet drops in from top. Quick spin nuts secure faucet in place.

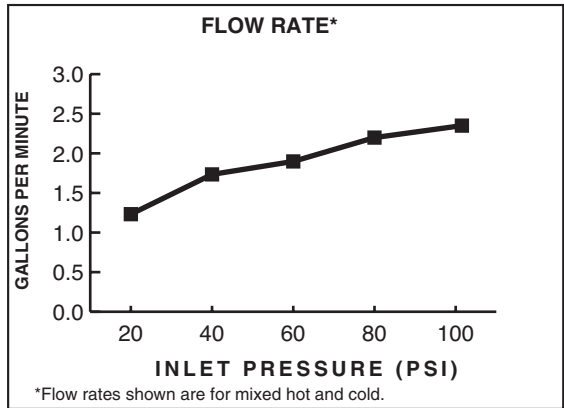
SUGGESTED SPECIFICATION:

Single control lavatory fitting shall feature cast brass waterways with 1/2" male inlet shanks. Shall also feature washerless 40mm ceramic disc valve cartridge. Shall also feature a drain body with stainless steel cable actuation. Fitting shall be American Standard Model # 2175.____.____.

CODES AND STANDARDS


These products meet or exceed the following codes and standards:

- ANSI A117.1**
- ASME A112.18.1**
- NSF 61/Section 9**
- CSA B 125**



Product Number	Description	Finish Options	
		Polished Chrome	PVD Polished Brass
		002	099
2175.502	Lavatory faucet. Metal Speed Connect™ Pop-up drain.		
2175.503	Lavatory faucet. Non-Metallic Speed Connect™ Pop-up drain.		

N/A = NOT AVAILABLE

 Meets the American Disabilities Act Guidelines and **ANSI A117.1** Requirements for the physically challenged.