

3275.502 Shown

**MODEL NUMBER:**

- 3275.502 Bath/Shower Fitting**  
I.P.S. diverter tub spout. Easy Clean showerhead. Metal Lever handles.
- 3275.501 Shower Only Fitting**  
Easy Clean showerhead. Metal Lever handles.
- 3275.505 Wall-Mounted Tub Filler**  
I.P.S. tub spout. Metal Lever handles.

---

- 3275.302 Bath/Shower Fitting**  
I.P.S. diverter tub spout. Easy Clean showerhead. Acrylic Knob handles.
- 3275.301 Shower Only Fitting**  
Easy Clean showerhead. Acrylic Knob handles.
- 3275.305 Wall-Mounted Tub Filler**  
I.P.S. tub spout. Acrylic Knob handles.



**GENERAL DESCRIPTION:**

Cast brass valve body on 8 inch centers. 1/4 turn washerless ceramic disc valve cartridges - reversible for use with either lever or knob handles. 1/2" N.P.T. female threaded inlets and outlets. Easy clean showerhead with 2.5 gpm/9.5L/min. flow restrictor.

**PRODUCT FEATURES:**

**Brass Construction:** Durable - Ideal for prolonged contact with water. Provides the finest surface for application of all finishes.

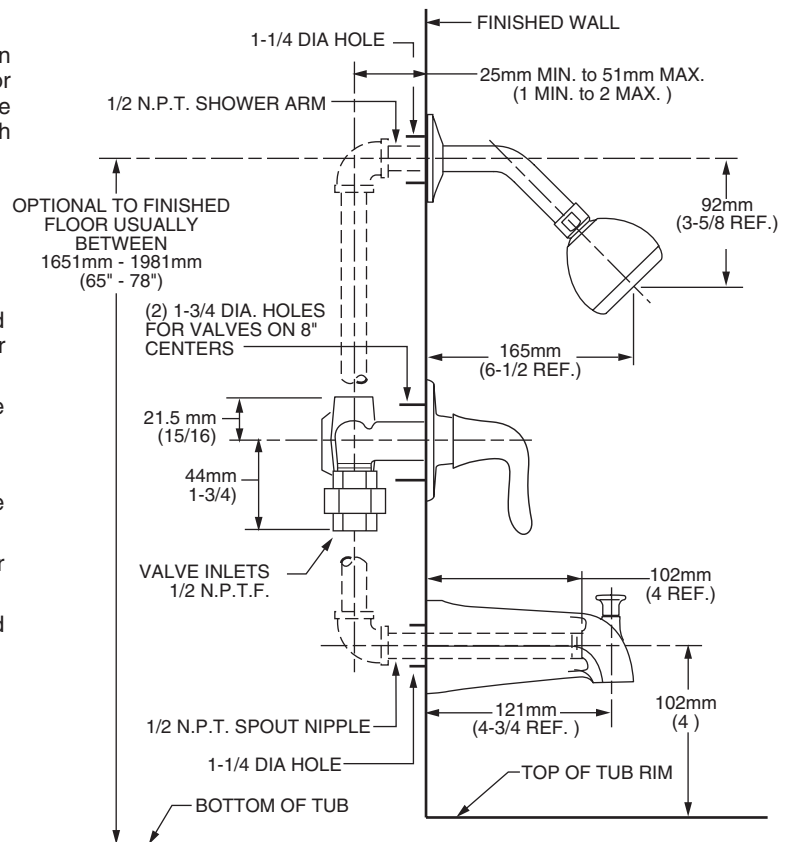
**Ceramic Disc Valve Cartridges:** Assures a lifetime of smooth handle operation and drip-free performance.

**Integral Unions:** No soldering required.

**Exclusive Handle Alignment System:** Allows fine tuning of handle position.

**Choice of Finishes:** Available in Polished Chrome or Polished Brass PVD.

**Exclusive Plaster Guard:** Plaster guard can be used to test for leaks prior to handle installation.



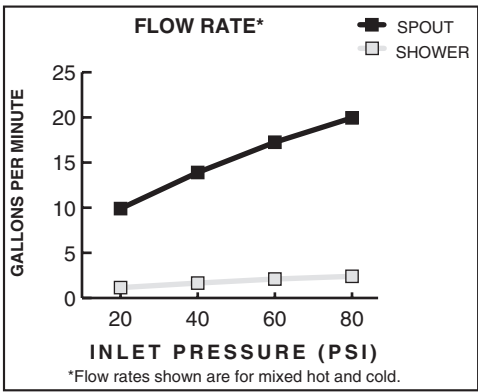
**SUGGESTED SPECIFICATION:**

Two handle bath/shower fitting shall feature cast brass construction. Shall also feature 1/4 turn washerless ceramic disc valve cartridges that are reversible for use with lever or knob handles. Fitting shall be American Standard Mode # 3275.\_\_\_\_.

**CODES AND STANDARDS**

These products meet or exceed the following codes and standards:

**ASME A112.18.1  
CSA B 125**



	Product Number	Description	Finish Options	
			Polished Chrome	PVD Polished Brass
			002	099
	3275.502	Two handle Bath/Shower. I.P.S. diverter tub spout. Easy Clean Showerhead. Metal Lever handles.		
	3275.501	Two handle Shower Only. Easy Clean Showerhead. Metal Lever handles.		
	3275.505	Wall Mounted Tub Filler. I.P.S. tub spout. Metal Lever handles.		
	3275.302	Two handle Bath/Shower. I.P.S. diverter tub spout. Easy Clean Showerhead. Acrylic Knob handles.		N/A
	3275.301	Two handle Shower Only. Easy Clean Showerhead. Acrylic Knob handles.		N/A
	3275.305	Wall Mounted Tub Filler. I.P.S. tub spout. Acrylic Knob handles.		N/A

**N/A = NOT AVAILABLE**

Meets the American Disabilities Act Guidelines and **ANSI A117.1** Requirements for the physically challenged.