

ONE BATH/SHOWER TRIM KIT WITH DIVERTER

Congratulations on purchasing your American Standard faucet with EverClean™ finish a features found only on American Standard faucets.

EverClean™ Finish

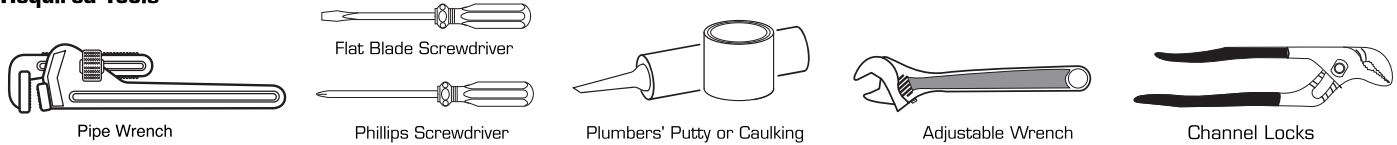
- One wipe effortlessly removes spots.
- Eliminates the need for cleaners and scrubbing.
- Permanent surface protectant remains beautiful for the life of the faucet.
- EverClean™ available on: Polished Chrome, Satin Nickel, Stainless Steel, Polished Brass (or any combination of these finishes)

To ensure that your installation proceeds smoothly-please read these instructions carefully before you begin.

Certified to comply with ANSI A112.18.1

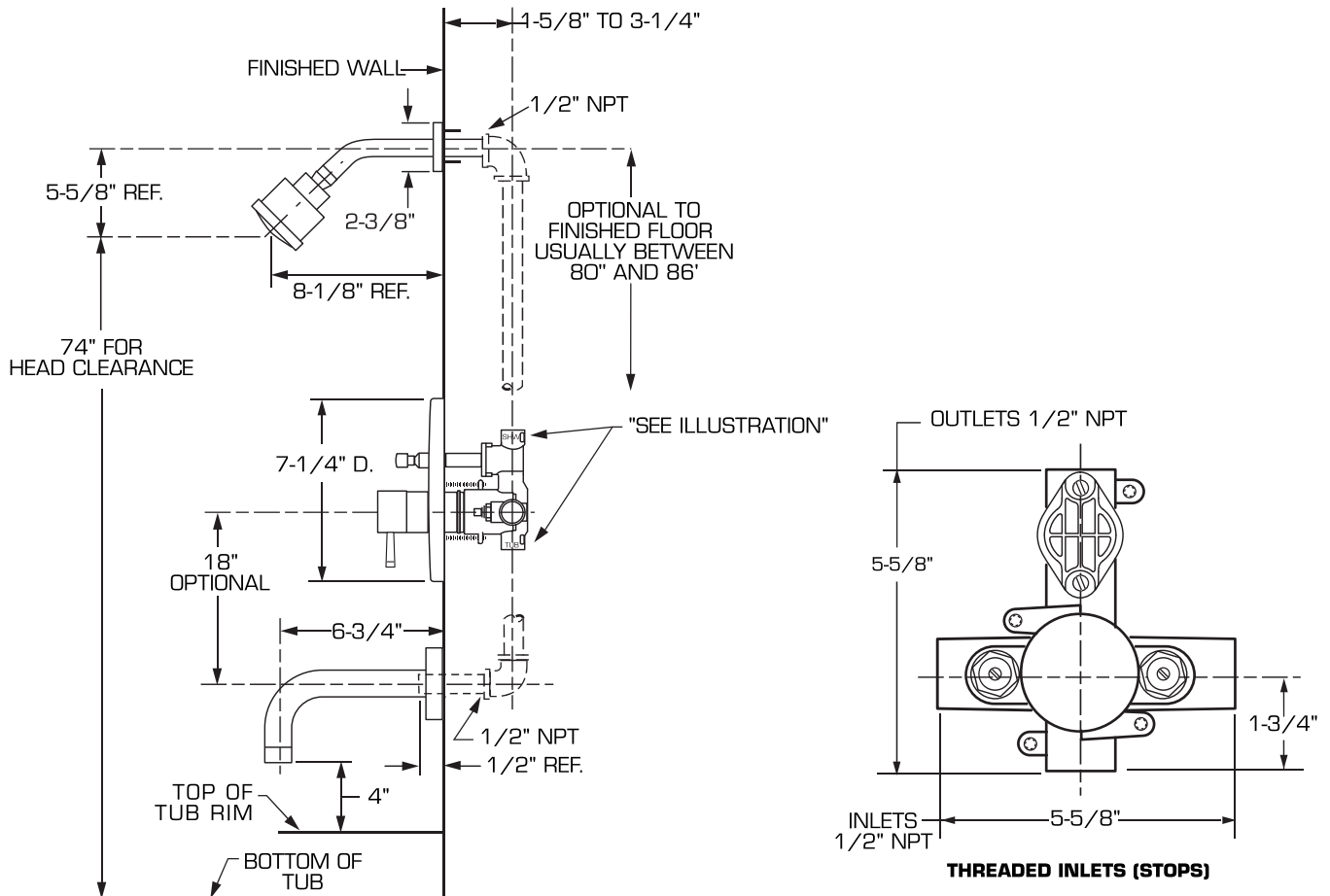
M968836

Required Tools



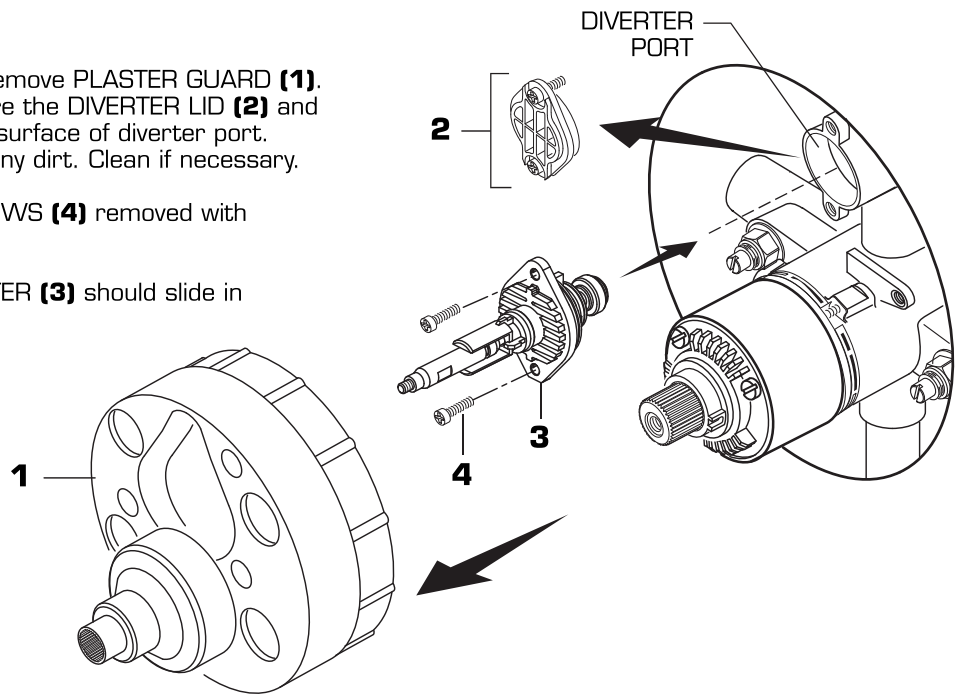
ROUGHING-IN DIMENSIONS

- To assure proper positioning in relation to wall, note roughing-in dimensions.



1 INSTALL DIVERTER

- When finished tiling the wall, remove PLASTER GUARD (1). Remove two screws that secure the DIVERTER LID (2) and remove Lid. Inspect the inside surface of diverter port. Diverter port must be free of any dirt. Clean if necessary.
- Install DIVERTER (3) with SCREWS (4) removed with DIVERTER LID (2).
- Operate DIVERTER (3). DIVERTER (3) should slide in and out smoothly.



2 INSTALL VALVE TRIM

- **Figure 1.** Push CAP (1) over VALVE CARTRIDGE (2) until seated against stop. Push CAP (3) over DIVERTER (4) until seated against stop.
- **Figure 2.** Push ESCUTCHEON HOLDER (5) onto CAP (1) and attach with SCREWS (6). Mount ESCUTCHEON SUPPORT (7) to ESCUTCHEON HOLDER (5) with SCREWS (8).
- **Figure 3.** Align PINS (10) on back side of ESCUTCHEON (11) with the FOUR HOLES (12) in ESCUTCHEON SUPPORT (7) and press ESCUTCHEON (11) flush against finished wall.

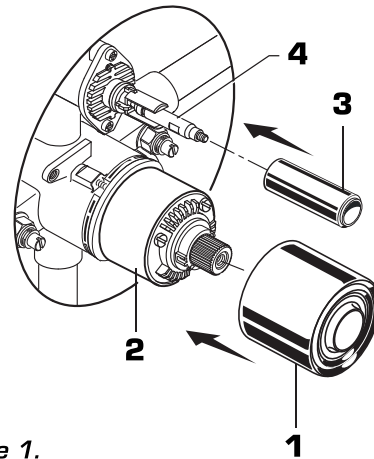


Figure 1.

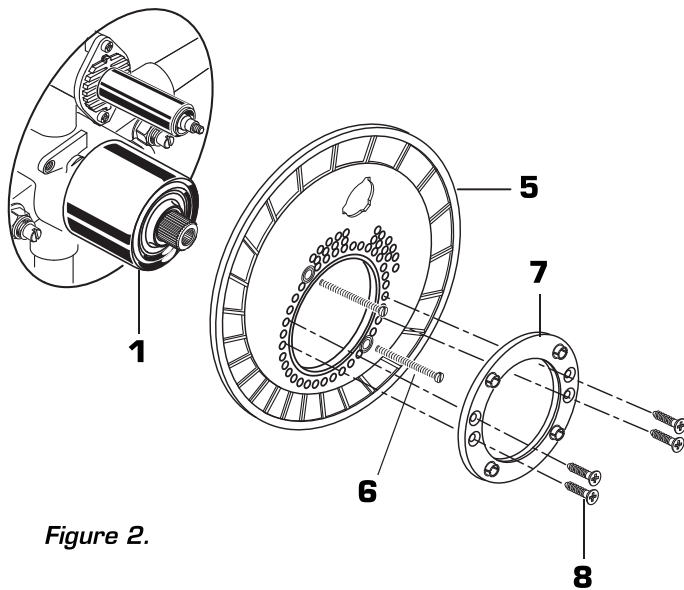


Figure 2.

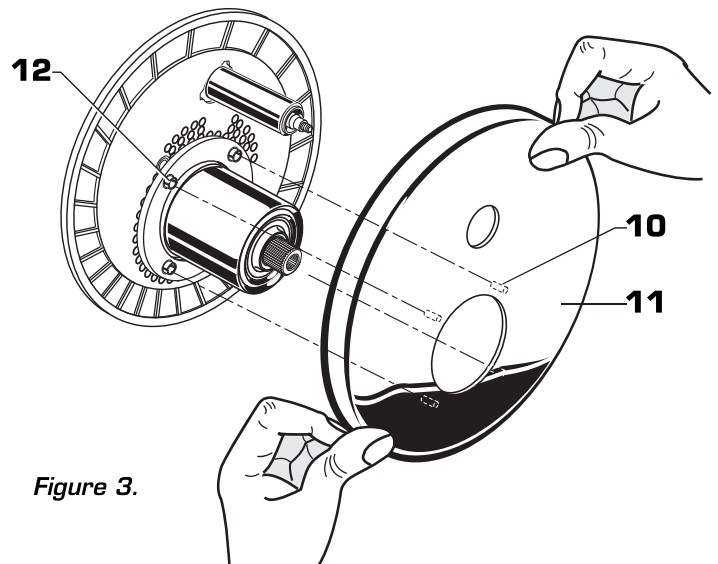
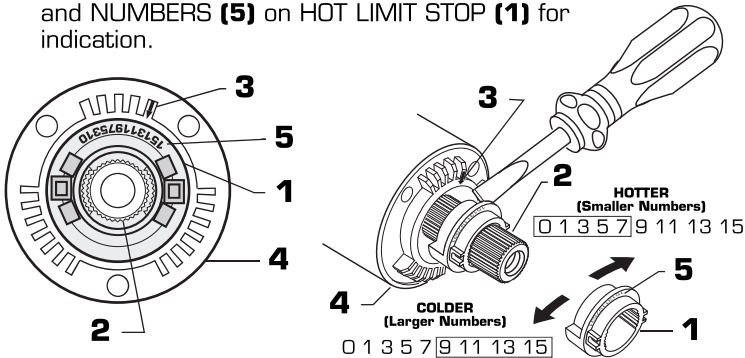


Figure 3.

3 ADJUST HOT LIMIT STOP

- By restricting HANDLE rotation and limiting the amount of hot water allowed to mix with the cold, the HOT LIMIT SAFETY STOP (1) reduces risk of accidental scalding. To set the maximum hot water temperature of your faucet, all you need to do is adjust the setting on the HOT LIMIT SAFETY STOP (1).
- Turn CARTRIDGE STEM (2) to the OFF position (coldest setting) before making adjustment to HOT LIMIT STOP (1). Use a flat blade screwdriver to pry free the HOT LIMIT SAFETY STOP (1). Pull forward and rotate counterclockwise one number to limit hot water temperature. Use ARROW (3) on CARTRIDGE (4) and NUMBERS (5) on HOT LIMIT STOP (1) for indication.



5 TO GAIN ACCESS TO VALVE FOR SERVICING

- Unthread LEVER HANDLE, loosen SET SCREW and pull HANDLE off valve stem.
- To remove Escutcheon assembly reverse steps in Step 3.

VALVE LEAKS WHEN SHUT OFF

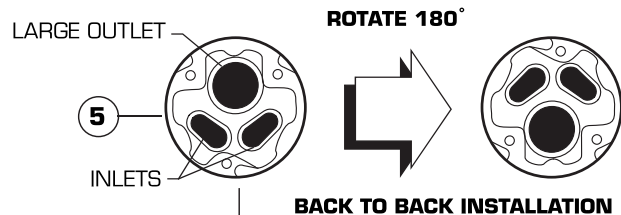
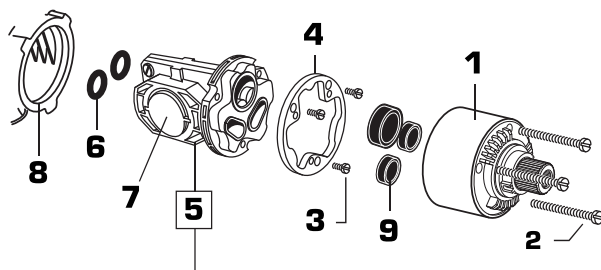
- Remove CARTRIDGE (1) by removing CARTRIDGE SCREWS (2). Remove three SCREWS (3) from FIXATION RING (4) and pull out PRESSURE BALANCING (5) unit.
- Clean SEALS (9) on base of CARTRIDGE (1). Check base of PRESSURE BALANCING UNIT (5) and clean O-RINGS (6). Remove CAPS (7) and check O-RINGS on inside of CAPS (7). Clean inside sealing surfaces of VALVE BODY (8).
- Re-assemble PRESSURE BALANCING UNIT (5) and CARTRIDGE (1). Tighten all screws.
- Turn on water supply and see above for installing TRIM and HANDLE.

UNABLE TO MAINTAIN CONSTANT TEMPERATURE

- Remove PRESSURE BALANCE UNIT (5). Remove CAPS (7) and clean valve thoroughly.
- Examine balancing unit and check condition of O-ring on end of piston. Piston should move back and forth. Order Repair Part M952100-0070A if balancing unit is defective.
- Replace CAPS (7) and install PRESSURE BALANCE UNIT (5). Make sure inlets line up with two holes in bottom of casting. Top flange should butt-up against top of casting.

BACK TO BACK INSTALLATION

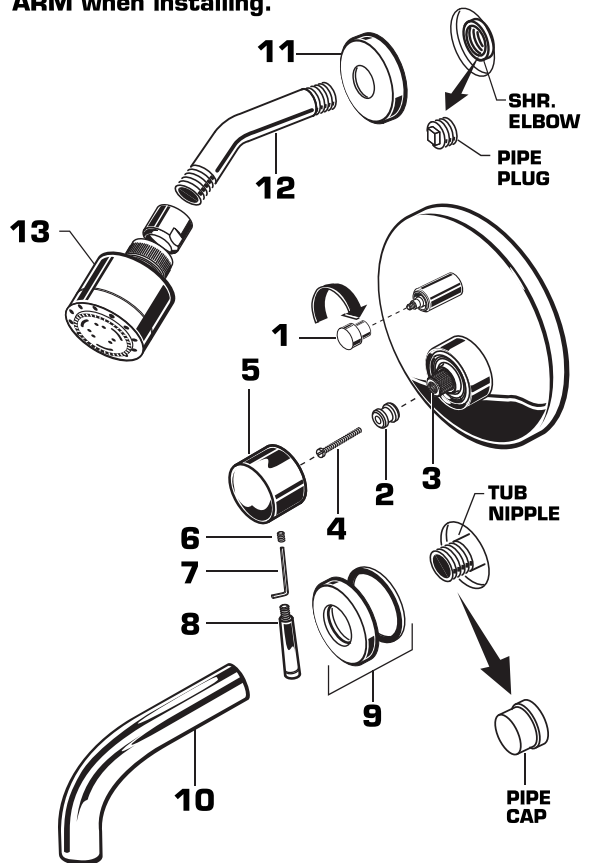
- Remove PRESSURE BALANCE UNIT (5). Rotate PRESSURE BALANCE UNIT (5) 180° so that the inlets face up and the large outlet port faces down.
- Push PRESSURE BALANCE UNIT (5) in casting make sure inlets line up with holes in bottom of casting. Top flange should butt up against top of casting.
- Reassemble FIXATION RING (4) and CARTRIDGE (1).



4 INSTALL HANDLE, DIVERTER KNOB, TUB SPOUT AND SHOWER

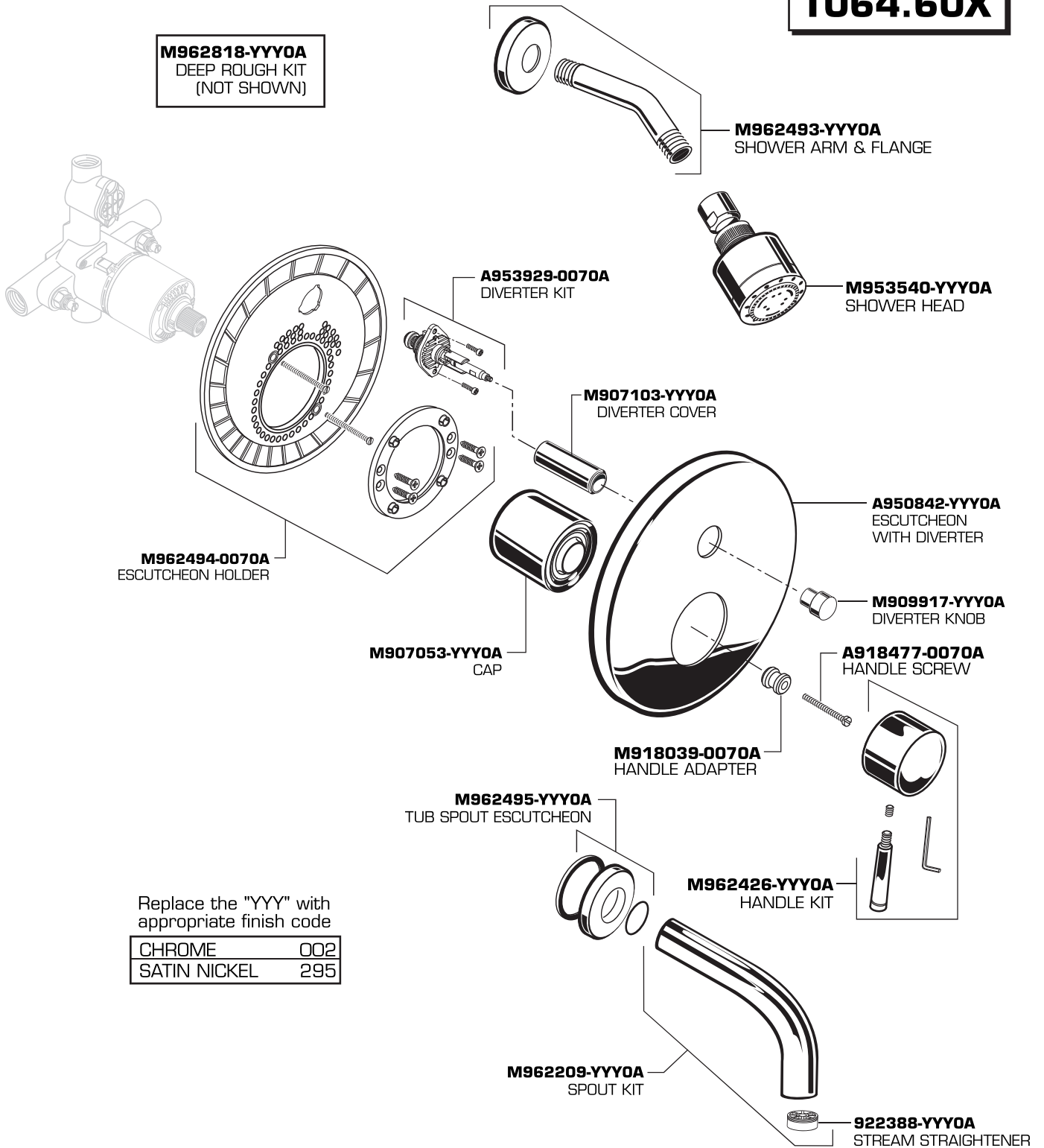
- Thread DIVERTER KNOB (1) onto diverter stem.
- Hold ADAPTER (2) onto VALVE STEM (3) and install ADAPTER SCREW (4) through ADAPTER (2) into VALVE STEM (3). Tighten ADAPTER SCREW (4) to secure ADAPTER (2) to VALVE STEM (3).
- Install HANDLE BASE (5) onto ADAPTER (2). Insert SET SCREW (6) into HANDLE BASE (5). Align HANDLE BASE (4) and tighten with HEX WRENCH (7) supplied.
- Thread LEVER HANDLE (8) into HANDLE BASE (5).
- Remove pipe cap and plug from shower and tub rough piping.
- Install SPOUT ESCUTCHEON (9) onto TUB SPOUT (10).
- Apply sealant or Teflon tape to threads of tub filler nipple. Thread TUB SPOUT (10) onto tub nipple.
- Install SHOWER ESCUTCHEON (11) onto SHOWER ARM (12). Apply sealant or Teflon tape to threads on both ends of SHOWER ARM (12) and thread longer leg of SHOWER ARM (12) into shower elbow.
- Thread SHOWER HEAD (13) onto SHOWER ARM (12).

CAUTION: Protect finish on SHOWER HEAD and ARM when installing.



American Standard

ONE BATH/SHOWER TRIM KIT WITH DIVERTER MODEL NUMBER **T064.60X**



Replace the "YYY" with appropriate finish code

CHROME	002
SATIN NICKEL	295



HOT LINE FOR HELP
For toll-free information and answers to your questions, call:
1 (800) 442-1902
Weekdays 8:00 a.m. to 8:00 p.m. EST
IN MEXICO 01-800-839-12-00
IN CANADA 1-800-387-0369 (TORONTO 1-905-306-1093)
Weekdays 8:00 a.m. to 7:00 p.m. EST

Product names listed herein are trademarks of American Standard Inc.
© American Standard Inc. 2006

M968836