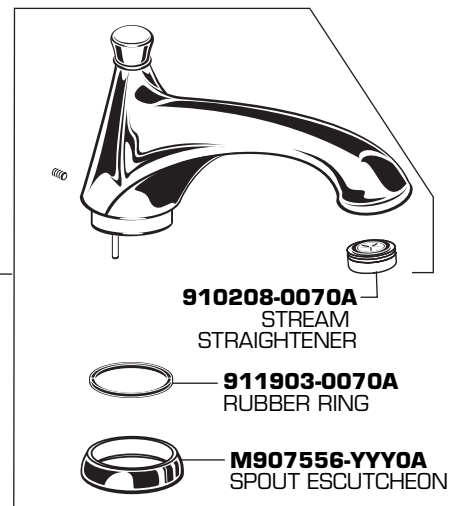
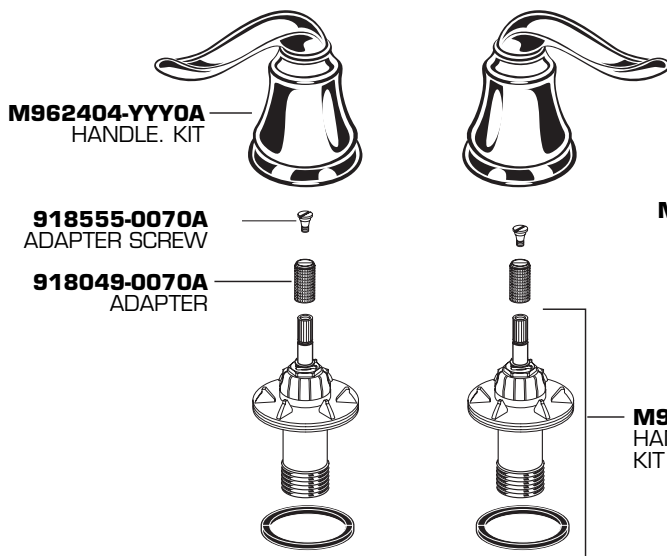


American Standard

**PRINCETON
DECK MOUNT TUB
FILLER TRIM KIT**

MODEL NUMBER

T508.900



**M962380-0070A
HANDLE ADAPTER
KIT**

**M961477-0070A
SPOUT ADAPTER KIT**

**M961478-0070A
SPOUT SEAL KIT**

Replace the "YYY" with appropriate finish code

CHROME	002
SATIN NICKEL	295



HOT LINE FOR HELP
For toll-free information and answers to your questions, call:
1 (800) 442-1902
Weekdays 8:00 a.m. to 8:00 p.m. EST
IN MEXICO 01-800-839-12-00

IN CANADA 1-800-387-0369 (TORONTO 1-905-306-1093)
Weekdays 8:00 a.m. to 7:00 p.m. EST

Product names listed herein are trademarks of American Standard Inc.
© American Standard Inc. 2005

M968844 REV 1.1

American Standard

**PRINCETON
DIVERTER & PERSONAL
SHOWER TRIM KITS**

MODEL NUMBER

T508.990



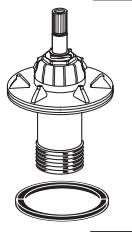
M962404-YYY0A
HANDLE KIT



918049-0070A
STEM ADAPTER



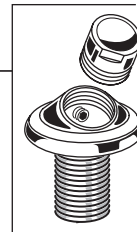
918555-0070A
HANDLE SCREW



M962380-0070A
HANDLE ADAPTER
KIT

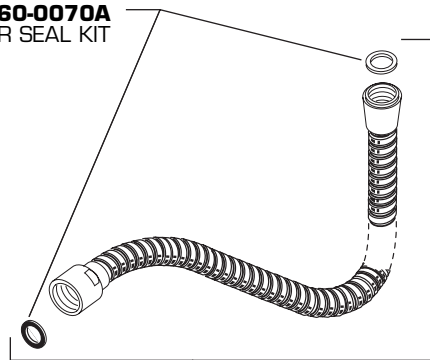


M950090-YYY0A
HAND SHOWER



M961464-YYY0A
HAND SHOWER
HOLDER

033760-0070A
HAND SHOWER SEAL KIT



028667-0020A
HAND SHOWER HOSE

Replace the "YYY" with appropriate finish code

CHROME	002
SATIN NICKEL	295



HOT LINE FOR HELP
For toll-free information and answers to your questions, call:
1 (800) 442-1902
Weekdays 8:00 a.m. to 8:00 p.m. EST
IN MEXICO 01-800-839-1200
IN CANADA 1-800-387-0369 (TORONTO 1-905-306-1093)
Weekdays 8:00 a.m. to 7:00 p.m. EST

Product names listed herein are trademarks of American Standard Inc.
© American Standard Inc. 2005

M968842 REV 1.1