

American Standard

MOMENTS

VESSEL LAVATORY FITTING

with EverClean™ Finish

Installation Instructions 2506.15X



Certified to comply with ANSI A112.18.1M

M968944

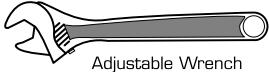
Congratulations on purchasing your American Standard faucet with EverClean finish found only on American Standard faucets.

EverClean Finish

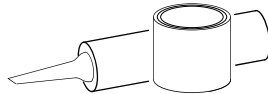
- One wipe effortlessly removes spots
- Eliminates the need for cleaners and scrubbing
- Permanent surface protectant remains beautiful for the life of the faucet
- EverClean™ available on: Polished Chrome, Satin Nickel, Stainless Steel, Polished Brass (or any combination of these finishes)

To ensure that your installation proceeds smoothly-please read these instructions carefully before you begin.

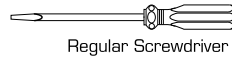
Recommended Tools



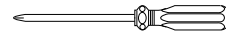
Adjustable Wrench



Plumbers' Putty or Caulking



Regular Screwdriver



Phillips Screwdriver



Channel Locks

1 INSTALL LAVATORY FAUCET

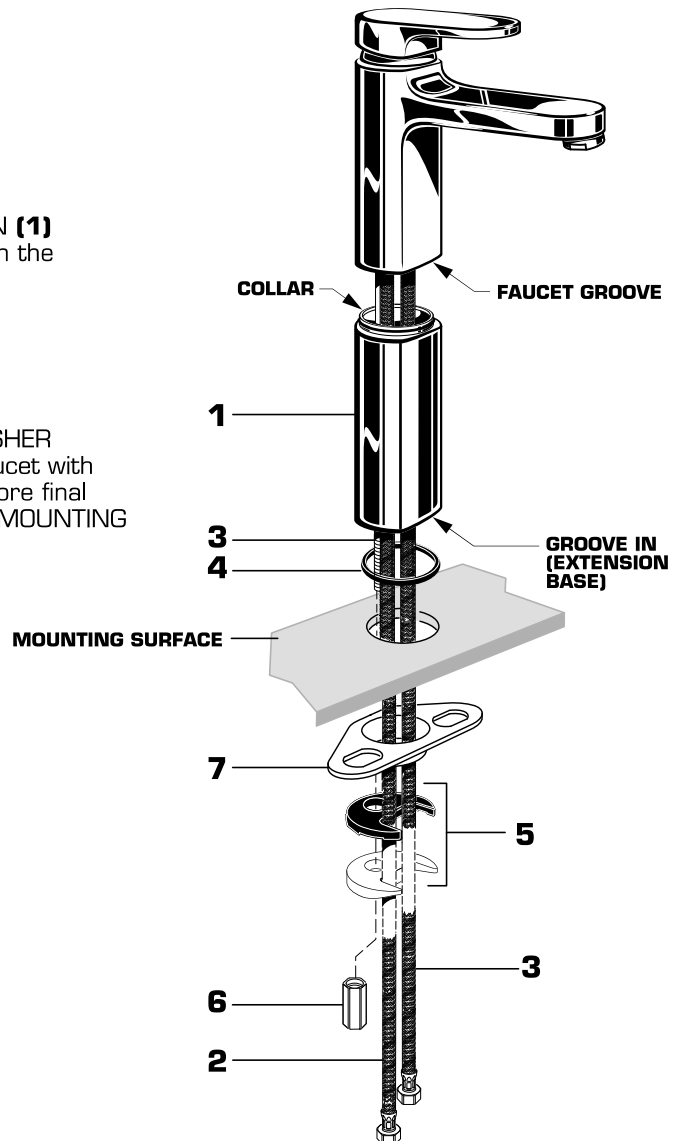
CAUTION

Turn off hot and cold water supplies before beginning.

For single hole only.

NOTE; The FAUCET with EXTENSION is used for installation with above-counter sinks.

- With the **collar** of the EXTENSION (1) facing up, slide the EXTENSION (1) over the FAUCET SUPPLIES (2) and the MOUNTING STUD (3). The **collar** of the EXTENSION (1) fits into the **groove** of the faucet. Align the front flats on the faucet and extension.
- Seat SEAL (4) into **groove** in EXTENSION (1) base. Feed FAUCET SUPPLIES (2) and MOUNTING STUD (3) through mounting hole of deck.
- From below, push SUPPORT PLATE (7), RETAINING WASHER and GASKET (5) onto MOUNTING STUD (3). Secure Faucet with MOUNTING NUT (6), pulling faucet to front of sink. Before final tightening, adjust faucet so that it is centered. Tighten MOUNTING NUT (6) to complete installation.

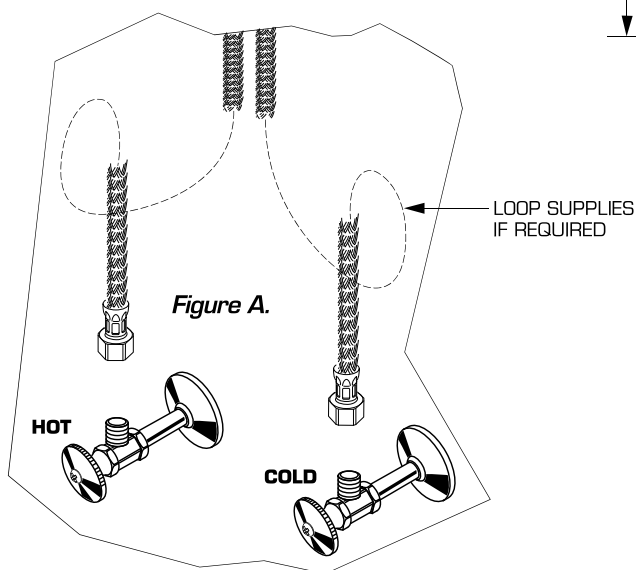
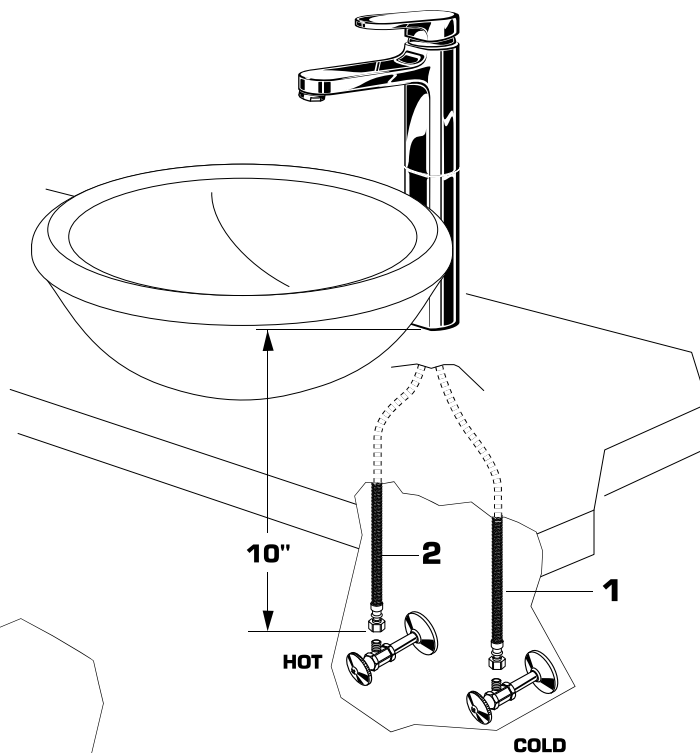


2 MAKE WATER SUPPLY CONNECTIONS

- Turn off hot and cold water supplies before beginning.
- Connect FLEXIBLE SUPPLIES (1, 2) directly to wall supplies. Connection on fitting supplies are 3/8" compression. Connect left supply to Hot and right supply to the Cold wall supply. Use adjustable wrench to tighten connections. Do not over tighten.
- Faucet supplies are 10" long from faucet base.

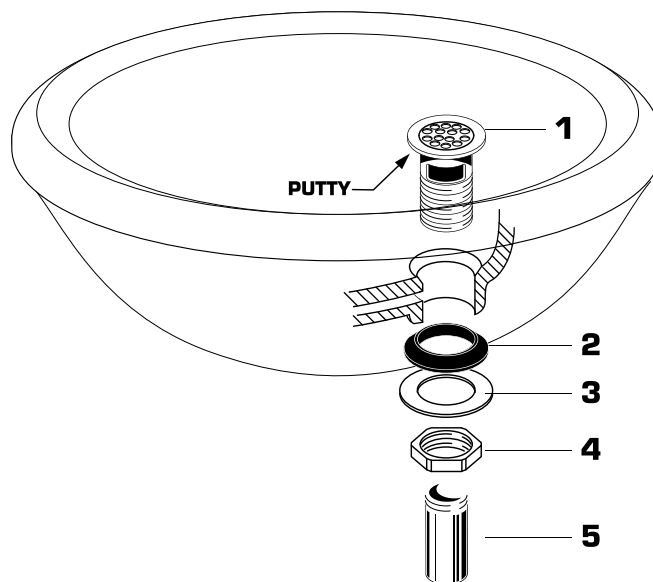
Note: If additional supply length is required, installer must purchase additional parts separately.

Important: If SUPPLY HOSES (1, 2) are too long, loop as illustrated to avoid kinking. Figure A.



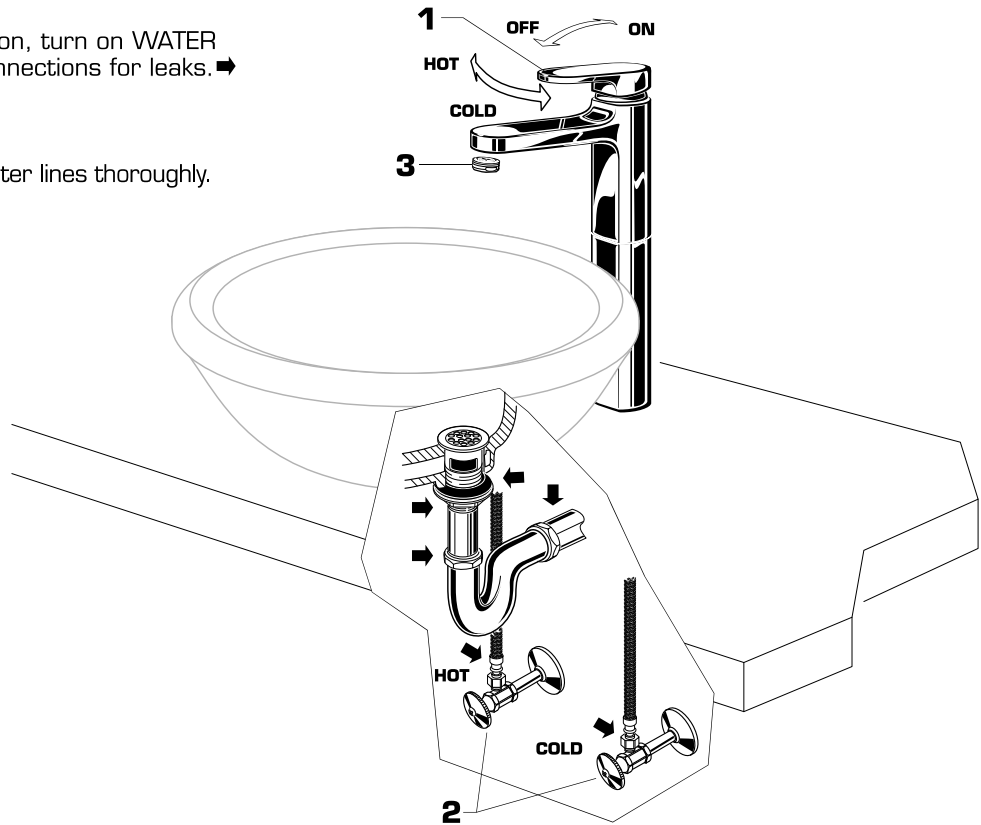
3 DRAIN INSTALLATION

- Apply a bead of PUTTY to underside of DRAIN BODY FLANGE (1).
- Feed DRAIN BODY (1) down through lavatory.
- Assemble GASKET (2) WASHER (3) and LOCKNUT (4) onto DRAIN BODY (1). Tighten LOCKNUT (4) firmly.
- Assemble TAILPIECE (5) to DRAIN BODY (1).



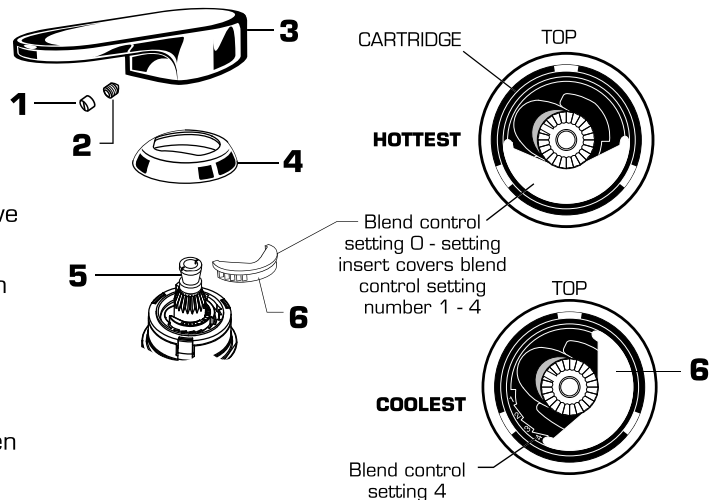
4 TEST INSTALLED FAUCET AND CHECK FOR LEAKS

- With HANDLE (1) in OFF position, turn on WATER SUPPLIES (2) and check all connections for leaks. ➔
- Remove AERATOR (3).
- Operate HANDLE (1) to flush water lines thoroughly.
- Replace AERATOR (3).



5 SERVICE **CAUTION** Turn off hot and cold water supplies before beginning.

- Turn on valve and allow water supply temperatures to stabilize. Move HANDLE to full HOT setting. Check water temperature.
- To decrease hot limit temperature setting:
 - Pull out Plug Button (1), loosen Handle Set Screw (2) and remove Handle (3) from Cartridge Stem (5). Remove Cartridge Cover (4).
 - Lift Setting Insert (6), rotate counterclockwise one notch and replace. Check water temperature and repeat if necessary. Unit is factory set at "0" (full HOT water). As the setting number increases, the more cold water is supplied in the full HOT handle position.
 - Replace Cartridge Cover (4). Align Handle (3) and tighten Set Screw (2). Replace Plug Button (1).



EverClean™ Finish Care Instructions

American Standard's EverClean finish will wipe clean with a soft, dry cloth. A soft cloth with clean water may also be used, if desired. No additional cleaning products are required.

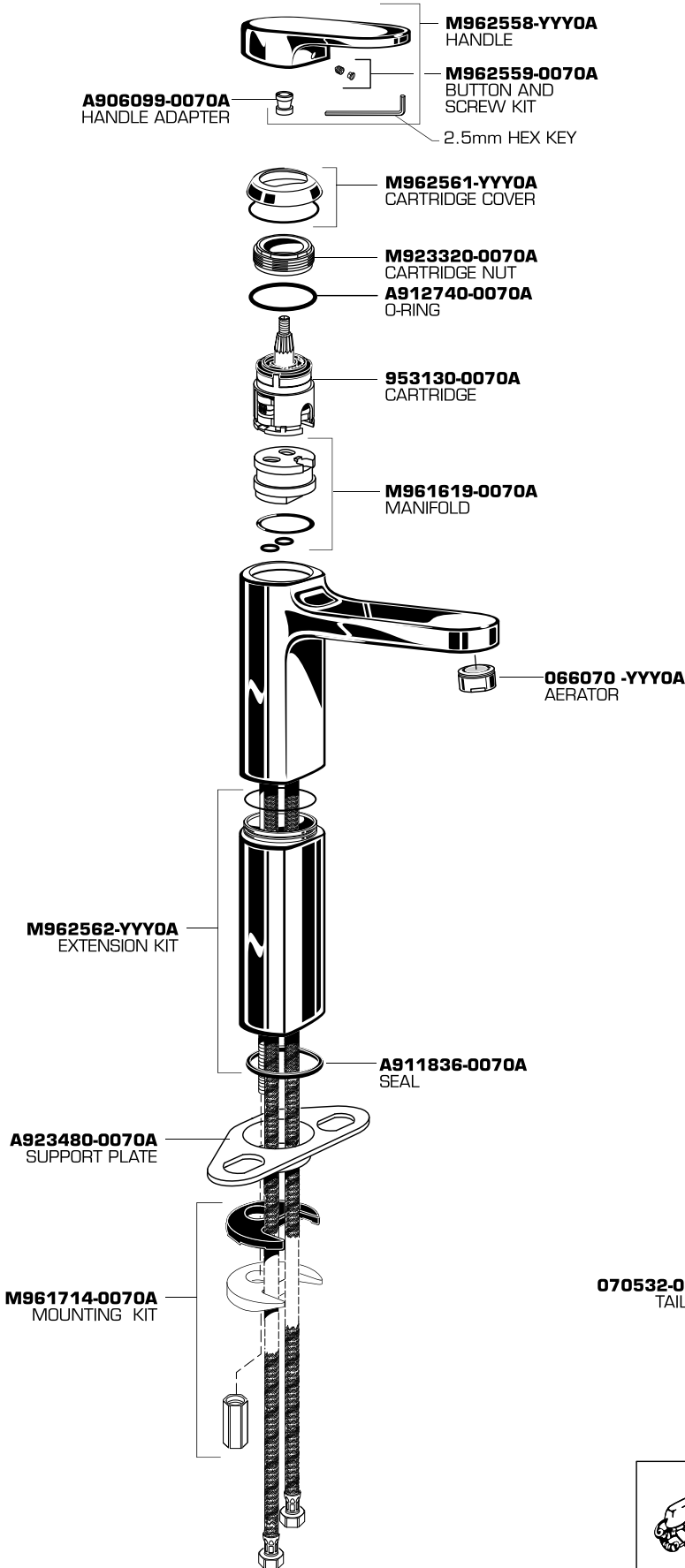
DO NOT USE: Soaps, acid, polish, abrasives, harsh cleaners, or a cloth with a coarse surface.

American Standard

MOMENTS VESSEL FITTING

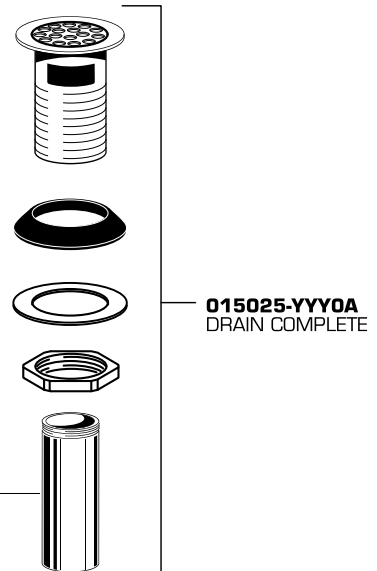
MODEL NUMBER

2506.15X



Replace the "YYY" with appropriate finish code

CHROME	002
STAINLESS STEEL	075



HOT LINE FOR HELP
For toll-free information and answers to your questions, call:
1 (800) 442-1902
Weekdays 8:00 a.m. to 6:00 p.m. EST
IN MEXICO 01-800-839-12-00
IN CANADA 1-800-387-0369 (TORONTO 1-905-306-1093)
Weekdays 8:00 a.m. to 7:00 p.m. EST

Product names listed herein are trademarks of American Standard Inc.
© American Standard Inc. 2007

M968944