

# American Standard

## Installation Instructions

### ENFIELD

**WIDESPREAD LAVATORY FAUCET  
and POP-UP DRAIN with EverClean™ Finish**

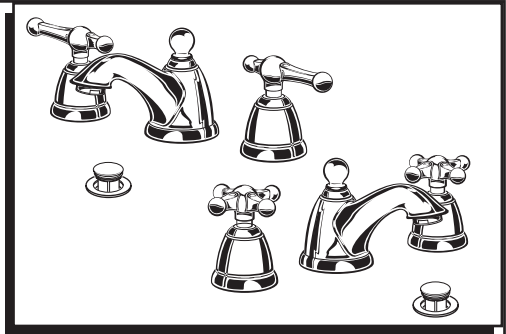
**2373.801  
2373.821**

Congratulations on purchasing your American Standard faucet with EverClean finish found only on American Standard faucets.

#### EverClean Finish

- One wipe effortlessly removes spots
- Eliminates the need for cleaners and scrubbing
- Permanent surface protectant remains beautiful for the life of the faucet
- EverClean™ available on: Polished Chrome, Satin Nickel, Stainless Steel, Polished Brass (or any combination of these finishes)

To ensure that your installation proceeds smoothly-please read these instructions carefully before you begin.



Certified to comply with ANSI A112.18.1M

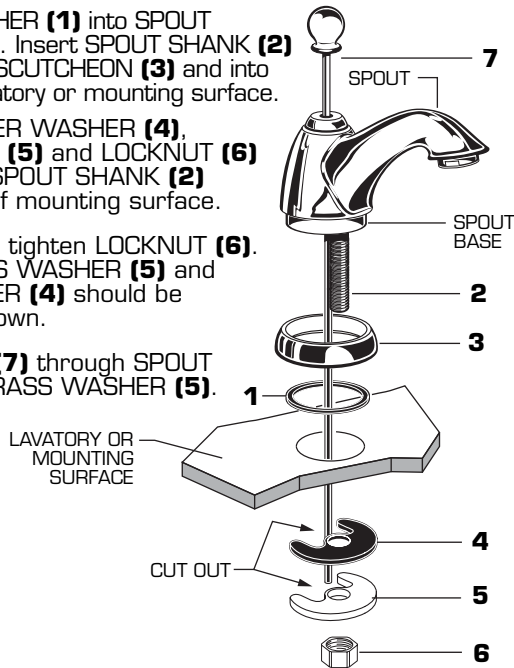
M968301 REV. 1.1

## 1 SPOUT ASSEMBLY

### CAUTION

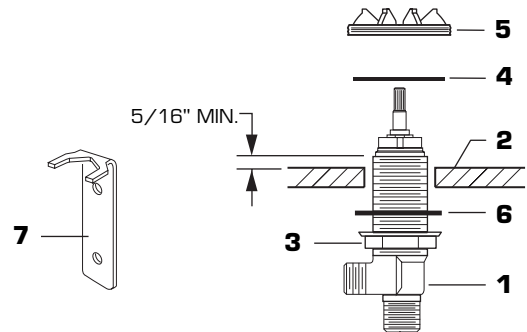
Turn off hot and cold water supplies before beginning.

- Install RING WASHER (1) into SPOUT ESCUTCHEON (3). Insert SPOUT SHANK (2) through SPOUT ESCUTCHEON (3) and into center hole of lavatory or mounting surface.
- Assemble RUBBER WASHER (4), BRASS WASHER (5) and LOCKNUT (6) onto threads of SPOUT SHANK (2) from underside of mounting surface.
- Align SPOUT and tighten LOCKNUT (6). Cut out in BRASS WASHER (5) and RUBBER WASHER (4) should be positioned as shown.
- Insert LIFT ROD (7) through SPOUT and cut out of BRASS WASHER (5).



## 2 VALVE INSTALLATION

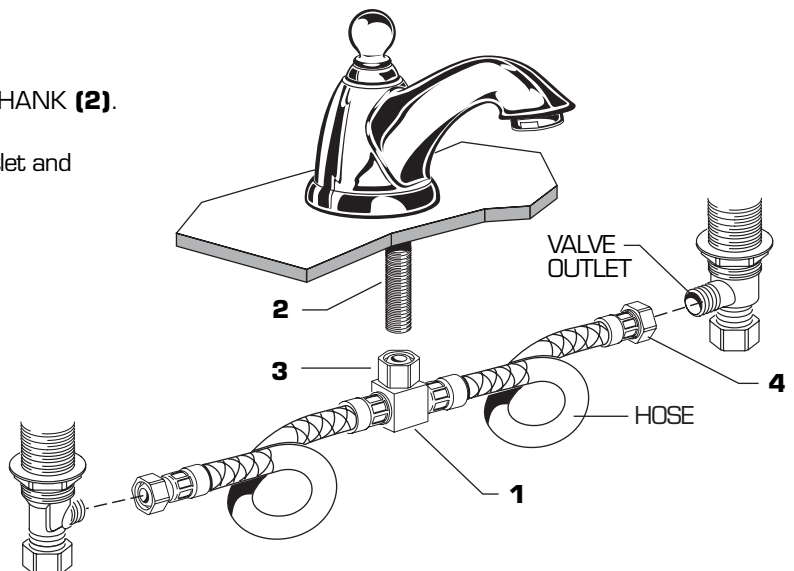
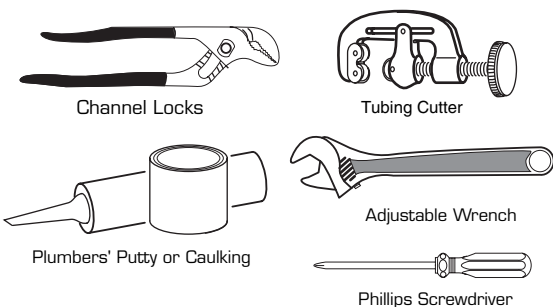
- Insert VALVE BODY (1) through hole from underside of SINK (2). Threads of VALVE BODY (1) should extend at least 5/16 inch above SINK (2) top. If necessary, adjust LOCKNUT (3). Make sure RUBBER WASHER (6) is installed.
- Place RUBBER RING (4) on LAVATORY (2) and thread DECK ADAPTER (5) onto VALVE BODY (1) until snug against internal stop.
- Set VALVE BODIES (1) so that their outlets are facing toward center of lavatory and then tighten LOCKNUT (3) using WRENCH (7) supplied with faucet.



## 3 TEE AND HOSE INSTALLATION

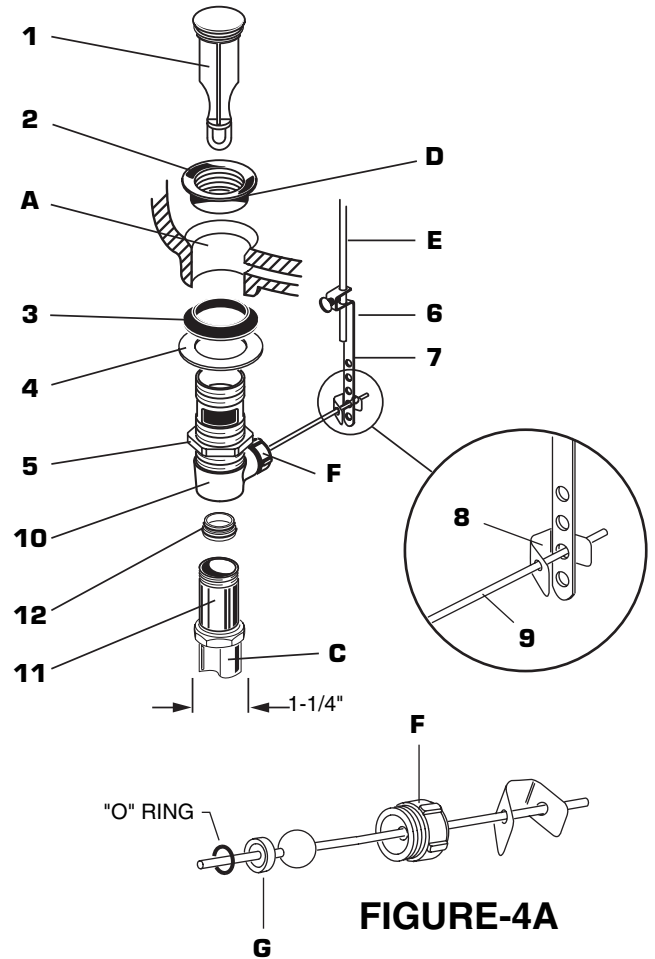
- Connect COUPLING NUT (3) on TEE (1) to SPOUT SHANK (2). Tighten COUPLING NUT (3).
- Connect COUPLING NUTS (4) of HOSE to each valve outlet and tighten securely.

### TOOLS REQUIRED



## 4 INSTALL POP-UP DRAIN

- Push Tail piece **(11)** down into Trap **(C)** (threaded end up).
- Thread Locknut **(5)**, Washer **(4)** and Gasket **(3)** (Bevel side up) onto Drain Body **(10)**.
- Apply a bead of Putty **(D)** to underside of Flange **(2)**.
- Feed Drain Body **(10)** up through Sink **(A)** and thread the Flange **(2)** fully onto Drain Body **(10)**.
- Tighten Locknut **(5)** firmly, keeping the pivot rod hole pointed towards the back of the sink.
- Assemble Pivot Rod **(9)** as shown in **Figure-4A**. Notice the position of the Concave Washer **(G)**.
- Insert Pivot Rod **(9)** into Drain Body **(10)** and tighten Pivot Nut **(F)**.
- Push TAILPIECE INSERT **(12)** into TAILPIECE **(11)** and push TAILPIECE up and thread tightly into DRAIN BODY **(10)**.
- Position Extension Rod **(7)** onto Pop-Up Rod **(E)** and tighten Thumbscrew **(6)**.
- Remove one end of Clip **(8)** from Pivot Rod **(9)** by squeezing ends together while sliding.
- Insert Pivot Rod **(9)** into second or third hole in Extension Rod **(7)** and reassemble Clip **(8)**.
- Drop Stopper **(1)** into Drain Body **(10)**.
- Adjust stopper height by repositioning Extension Rod **(7)** and tightening Thumbscrew **(6)**.

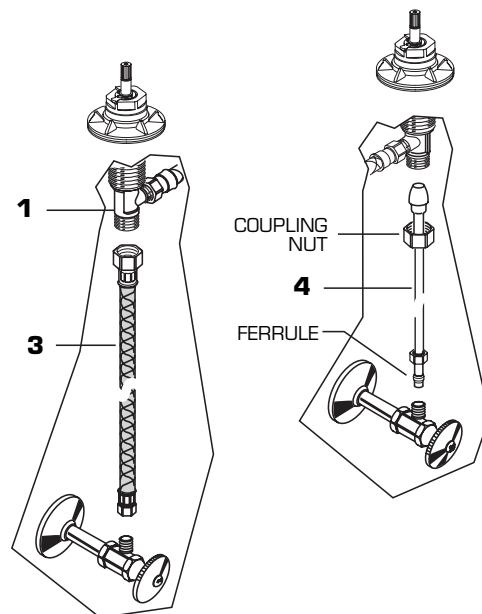


**FIGURE-4A**

## 5 MAKE WATER SUPPLY CONNECTIONS

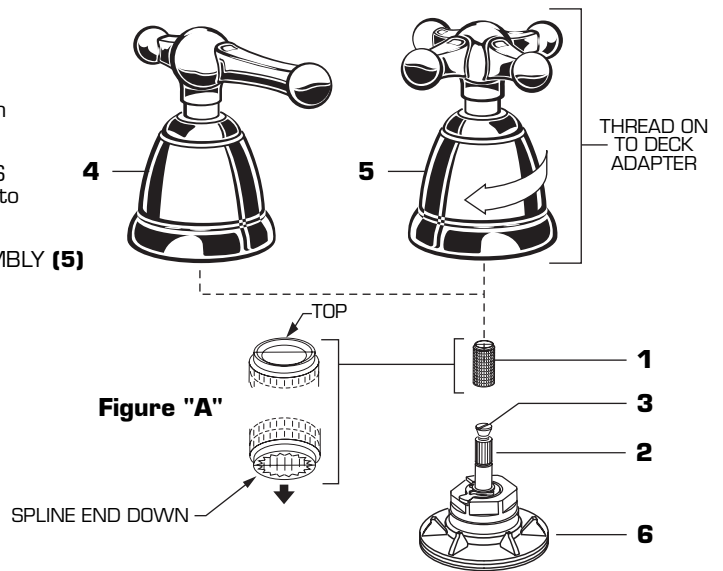
**NOTE: FLEXIBLE SUPPLIES OR BULL-NOSE RISERS MUST BE PURCHASED SEPARATELY.**

- Connect water supply to FAUCET **(1)** with 1/2" IPS FLEXIBLE SUPPLIES **(3)** or 3/8" O.D. BULL-NOSE RISERS **(4)**. Use wrench to tighten connections.
- Do not over tighten. Be careful not to kink copper supply when bending. Use tubing cutter to cut to proper length.



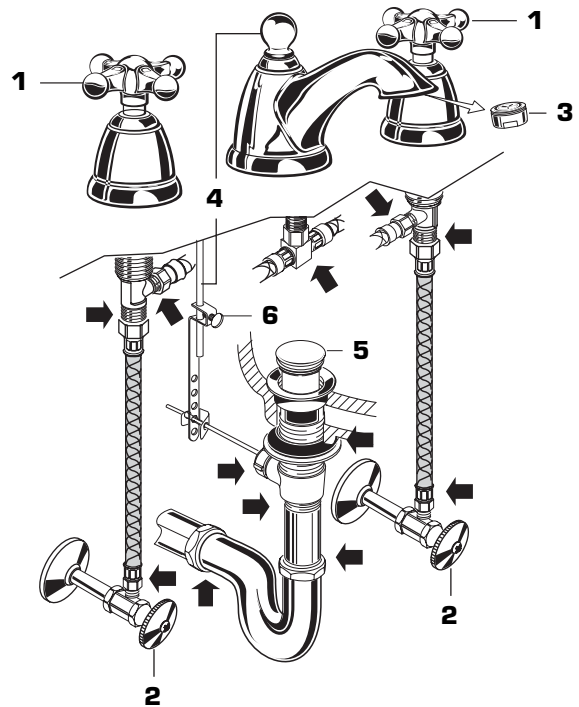
## 6 INSTALL HANDLES

- Push ADAPTER (1) on VALVE STEM (2), so that the hole of the ADAPTER (1) without a spline is facing up. See figure "A". Tighten STEM SCREW (3) to secure ADAPTER (1).
- Find correct position of LEVER HANDLE ASSEMBLY (4) or CROSS HANDLE ASSEMBLY (5) by adjusting male teeth on ADAPTER (1) to female teeth in HANDLE (4, 5).
- Thread LEVER HANDLE ASSEMBLY (4) or CROSS HANDLE ASSEMBLY (5) onto DECK ADAPTER (6) until snug against mounting surface.



## 7 TEST INSTALLED FITTING

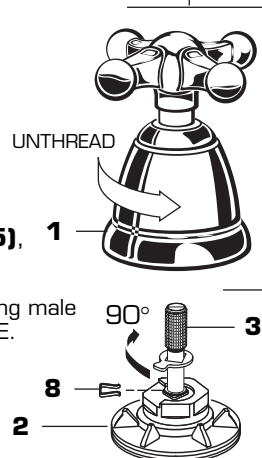
- With HANDLES (1) in OFF position, turn on WATER SUPPLIES (2) and check all connections for leaks. ➡
- Remove AERATOR (3). Operate both HANDLES (1) to flush water lines thoroughly.
- Replace AERATOR (3).
- Operate LIFT ROD (4) and fill lavatory with water. Check that DRAIN STOPPER (5) makes a good seal and retains water in lavatory. Adjust stopper height by repositioning Lift Rod (4) and tightening Thumbscrew (6).
- Release DRAIN STOPPER (4) and check all drain connections and "P" trap for leaks. Tighten if necessary.



## 8 SERVICE

- To change direction of handle rotation, proceed as follows:
  - Turn valve to OFF position. Unthread HANDLE BASE (1) from DECK ADAPTER (2).
  - Pull HANDLE ASSEMBLY off VALVE STEM (3).
  - Remove SPRING CLIP (4). Lift STOP WASHER (5), turn 90° and replace. Replace SPRING CLIP (4).
  - Find correct position of HANDLE ASSEMBLY by adjusting male teeth on VALVE STEM (3) to female teeth in HANDLE.
- Thread HANDLE ASSEMBLY onto DECK ADAPTER (2) until snug against mounting surface.
- If spout drips, operate handles several times from OFF to ON position. Do not force - handles turn only 90°.

HANDLE ASSEMBLY



## 9

### EverClean™ Finish Care Instructions

**American Standard's EverClean finish will wipe clean with a soft, dry cloth.**

**A soft cloth with clean water may also be used, if desired.**

**No additional cleaning products are required.**

**DO NOT USE: Soaps, acid, polish, abrasives, harsh cleaners, or a cloth with a coarse surface.**