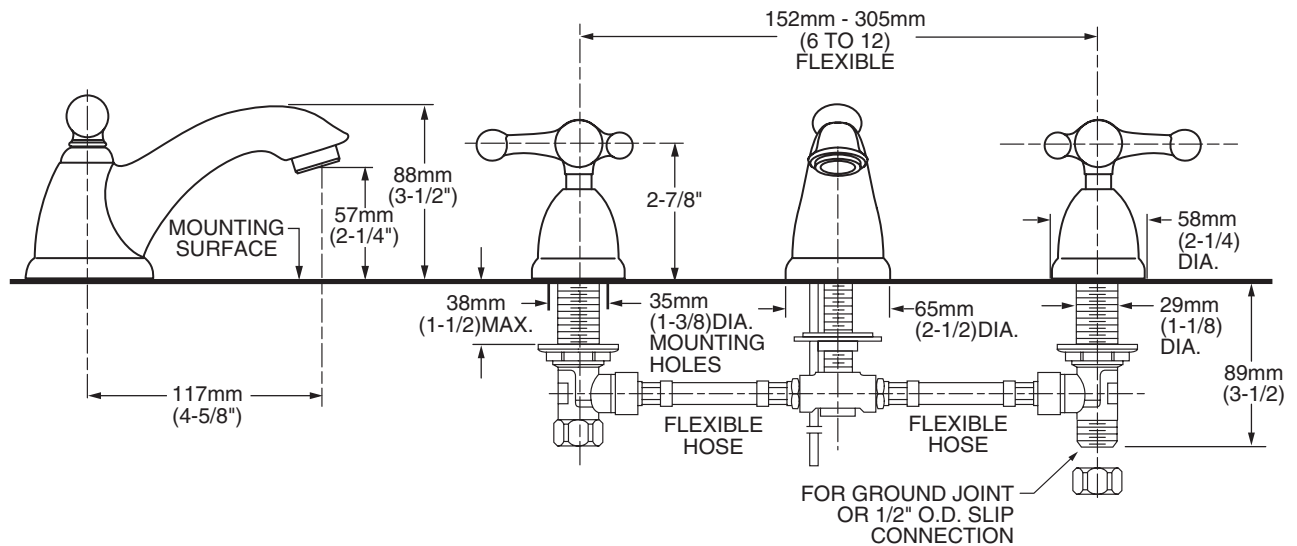
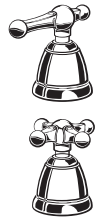


2373.801 Shown.

MODEL NUMBER:

- ☐ 2373.801 Widespread Lavatory
Pop-up drain. Metal Lever handles.
- ☐ 2373.821 Widespread Lavatory
Pop-up drain. Metal Cross handles.



GENERAL DESCRIPTION:

Cast brass valve bodies with flexible hose connections for 6" to 12" (152mm to 305mm) installations. 1/4 turn washerless ceramic disc valve cartridges - reversible for use with either lever or cross handles. Cast brass spout. One-half inch male inlet shanks. All brass drain body with 1-1/4" (32mm) tailpiece. 2.2 gpm/8.3L/min. maximum flow rate.

PRODUCT FEATURES:

- Brass Construction:** Durable. Easy to clean, seamless design. Ideal for prolonged contact with water. Provides the finest surface for application of colors and finishes.
- Ceramic Disc Valve Cartridges:** Assures a lifetime of smooth handle operation and drip-free performance.
- Low Lead:** Meets NSF Standard 61/Section 9 & Prop 65 lead requirements.
- Exclusive Handle Alignment System:** Allows fine tuning of handle position.
- Choice of Finishes:** Lifetime finishes won't tarnish or scratch.

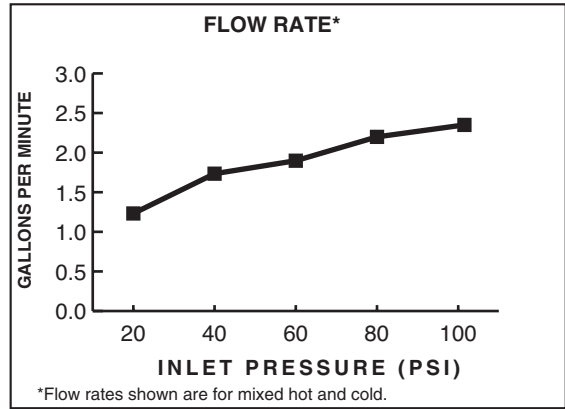
SUGGESTED SPECIFICATION:

Two handle widespread lavatory faucet shall feature cast brass valve bodies with flexible hose connections for 6" to 12" installations. Shall also feature 1/4 turn washerless ceramic disc valve cartridges that are reversible for use with lever or cross handles. Fitting shall be American Standard Model #2373.8

CODES AND STANDARDS

These products meet or exceed the following codes and standards:

- ASME A112.18.1
- CSA B 125
- NSF 61/Section 9



Product Number	Description	Finish Options*				
		Polished Chrome	Polished Nickel	PVD Blackened Bronze	PVD Polished Brass	PVD Satin Nickel
		002	008	068	099	295
2373.801	Lavatory faucet with pop-up drain. Metal Lever handles.					
2373.821	Lavatory faucet with pop-up drain. Metal Cross handles.					



Meets the American Disabilities Act Guidelines and **ANSI A117.1** Requirements for the physically challenged.

***EverClean™ Finish:**

- Offered on Polished Chrome (002), Polished Brass (099) and Satin Nickel (295) finish. (and any combination of these finishes)
- One wipe effortlessly removes spots.
- Eliminates the need for cleaners and scrubbing.