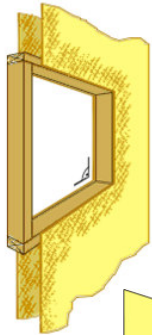


VaproSillSaver™

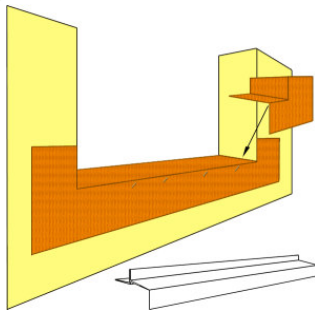
Installation Guide

This is the tested method of application. Many products can be used in conjunction with VaproSillSaver™ but should be approved by your building envelope consultant. Read the instructions completely prior to installation.

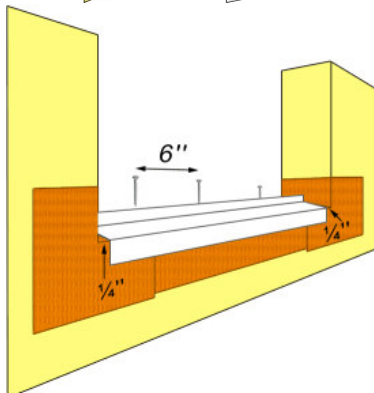
Be sure to make your rough opening $\frac{3}{4}$ " inches taller than the height of your window! The VaproSillSaver™ pan lifts your window $\frac{1}{4}$ " off of the sill.




- Verify that the window rough opening is plum and level and that there is no sheathing or fastener protruding into it. Prior to applying the window wrap repair or remove any damaged sheathing. The sill pan must sit tight against the wall.

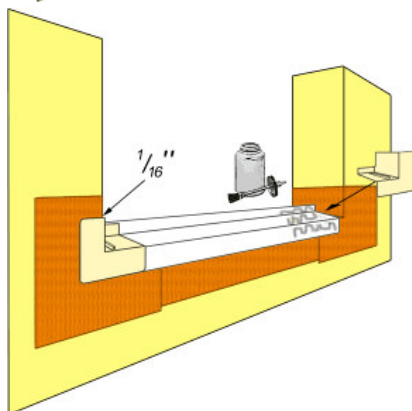


- Apply the window wrap at the sill first. Fold the material onto the sill beyond the pan base.





- Cut the pan $\frac{1}{2}$ " short of window rough opening, hold the front of the pan tight to the wall and place it $\frac{1}{4}$ " from each side of the window jamb. Install $\frac{3}{4}$ " wood screws along the back bottom flange of the pan at 6" on center.

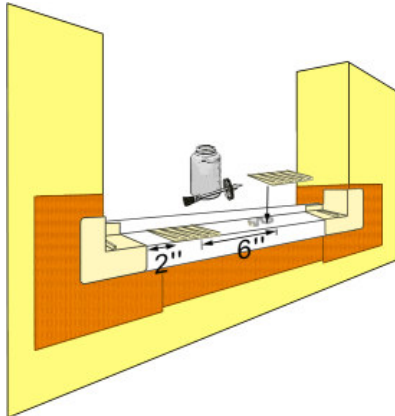
 Front edge may sit up until weight of window is applied.



- Install the corner pieces $\frac{1}{16}$ " from each side of the window jamb by applying glue to the sill pan in all areas where the corner will touch it. Hold the corners in place for 30 seconds or longer until they stay in place.

 **TIP:** Use small clamps to hold the corners in place while the glue is setting.

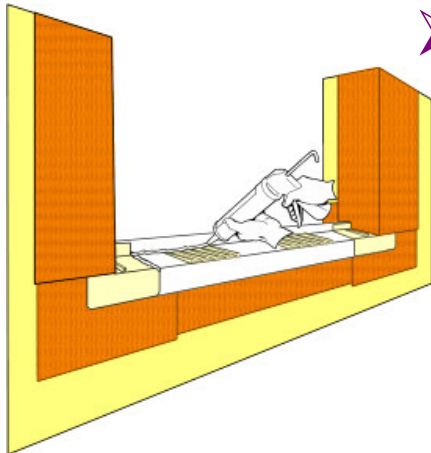
 **ATTENTION:** Enough glue should be applied to press out onto the base surface. More glue can be applied to the corner-base-connection if no glue presses out. Let the glue harden at least 2 hours before installing the window.



The spacers/supports must be installed at 6" on center starting 2" away from the corner pieces.

TIP: A dab of glue can be applied to the back side of the spacer or to the base. This will hold the spacer in position until the window is installed.

ATTENTION: For rain screen applications the spacers should be glued onto the base protruding out by the thickness of the rain screen and touching the back side of the window flange. Review this with your building envelope consultant.



Prior to window installation run a bead of approved caulking (1 part Polyurethane) along the back upturned leg of the sill pan and over the pan-corner-joint. Push the window into the caulk for an air tight seal.

To hold the window in place install 1/2" screws 6" on center along the back leg into the window using the screw tip guide line or as recommended by the window manufacturer and building envelope consultant.

Wipe off excess caulk while making sure that the space between the window and the upturned leg is filled.

The recommended glue for the attachment of the corners and spacers is IPS Weld-On 4052 Multi-Purpose Solvent Cement or Oatey Rain N Shine PVC glue.

The assembly of the pans can be completed at a work station in a warm garage or construction trailer. The pans would then be installed as one unit. It is important to allow approximately 1/8" for the expansion and contraction of the pan within the rough opening.

Please call VaproShield LLC for further questions regarding the installation of the VaproSillSaver™ pans. We can be reached at 1-866-731-7663

