

TOTO®

TS794PVSWC Nexus™ Shower and Bath Trim



TS794PVSWC - Nexus™ Shower and Bath Trim

LifeKoat™

TOTO® uses a state-of-the-art plating process, called *LifeKoat™*, that gives faucets durability. The *LifeKoat™* ionic plating procedure covers the entire faucet with a special finish that:

- Prevents corrosion
- Improves scratch resistance
- Increases hardness

- New Classic, clean lined styling perfectly matches the Nexus™ design suite
- Durable finishes
- Metal construction
- Rain shower showerhead
- Lever style handle
- Options:
 - Shower and Bath Trim
 - Shower Only Trim

Decorative Shower and Bath Trim to match the Nexus™ design suite.

■ **TS794PVSWC**

Nexus™ Shower and Bath Trim, polished chrome finish.

□ **TS794PSWC**

Nexus™ Shower Only Trim, polished chrome finish.

□ **TS794PVSWB**

Nexus™ Shower and Bath Trim, LifeKoat™ polished brass finish.

□ **TS794PSWB**

Nexus™ Shower Only Trim, LifeKoat™ polished brass finish.

□ **TS794PVSWN**

Nexus™ Shower and Bath Trim, LifeKoat™ brushed nickel finish.

□ **TS794PSWN**

Nexus™ Shower Only Trim, LifeKoat™ brushed nickel finish.

□ **Note Shower and Bath Trim**

Requires pressure balance valve model TSPVR

□ **Note Shower Only Trim**

Requires pressure balance valve model TSPTR

Finishes:

Standard Polished Chrome

Optional LifeKoat™ Polished Brass

LifeKoat™ Polished Nickel

See Price Book for additional finishes

TS794PVSWC Nexus™ Shower and Bath Trim

DESIGN

Designed to match our line of residential bathroom products, TOTO's® shower and bath trim complete any bathroom suite.

SPECIFICATIONS

Flow Rate: 2.5 gpm (9.5 lpm) max.

Warranty: Lifetime Limited Warranty
(Residential use)
One Year (Commercial use)

Material: Metal

Shipping Weight: Shower and bath trim
Individual 7.2 lbs.
Case (Qty 6) 43.2 lbs.

Shipping Weight: Shower only trim
Individual 6.7 lbs.
Case (Qty 6) 40.2 lbs.

Shipping Dimensions:
Individual
17-1/2"L x 12"W x 4-1/2"H

Case (Qty 6)
18"L x 12-1/2"W x 28"H

CODES/STANDARDS

Complies with and exceeds the following standards:

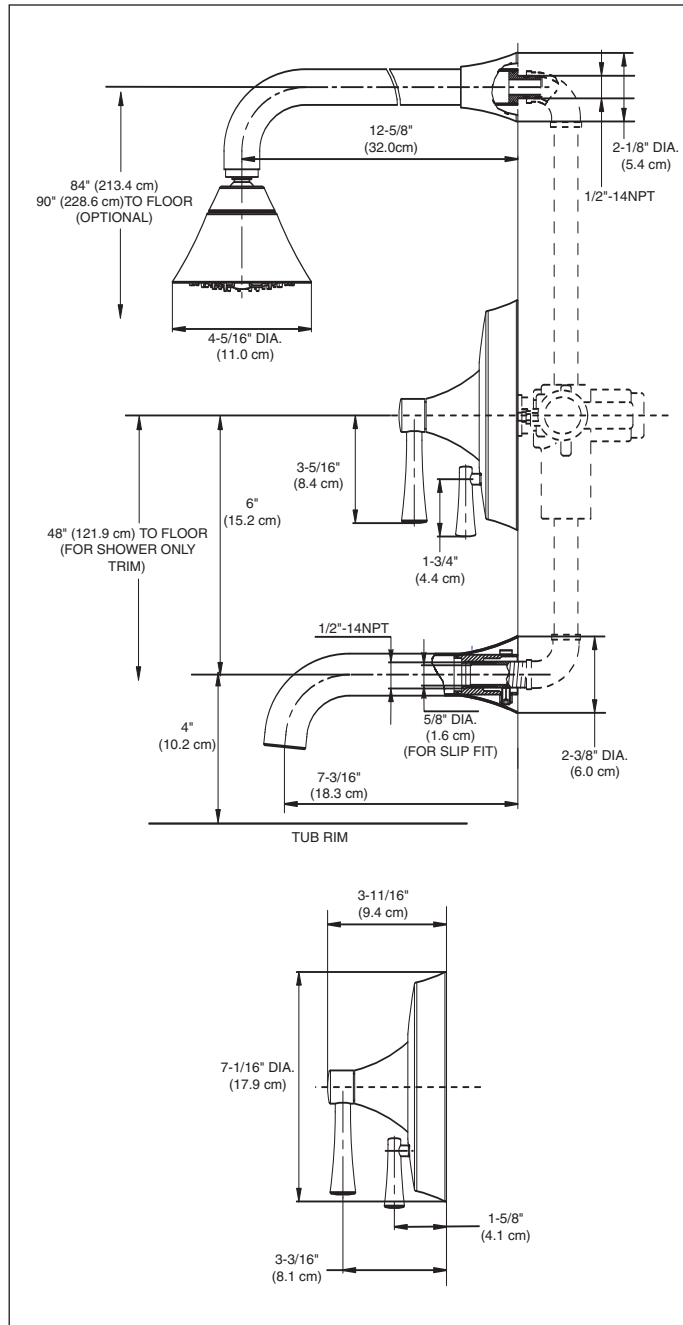
ASME A112.18.1M

CSA B125

Listed by:

IAPMO/UPC, CSA, and other municipalities

These dimensions and specifications are subject to change without notice.



TS794PVSWC - Nexus™ Shower and Bath Trim

TOTO®

TOTO® U.S.A., INC. • 1155 Southern Road, Morrow, GA 30260
Tel. (888) 295-8134 • Fax. (770) 282-8701 • www.totousa.com

Printed in U.S.A. © TOTO® LTD. 05/05 #J10090

Printed on recycled paper 

REV 05/05