

TOTO®

TL960SDC Soirée™ Single-handle Lavatory Faucet



TL960SDC - Soirée™ Single-handle Lavatory Faucet

LifeKoat™

TOTO® uses a state-of-the-art plating process, called LifeKoat™, that gives our bath fittings and accessories durability. The LifeKoat™ ionic plating procedure covers the entire fitting with a special finish that:

- Prevents corrosion
- Improves scratch resistance
- Increases hardness

- Clean, elegant design to complement the Soirée™ design Suite
- Durable finishes
- Brass valve bodies
- Ceramic disk valve cartridge for drip-free performance
- Pop-up drain

Decorative single-handle lavatory faucet to match the Soirée™ design Suite. 2.2 gpm (8.3 lpm) maximum flow rate (Per regulation).

■ TL960SDC

Soirée™ single-handle lavatory faucet, polished chrome finish.

□ TL960SDB

Soirée™ single-handle lavatory faucet, LifeKoat™ polished brass finish.

□ TL960SDN

Soirée™ single-handle lavatory faucet, LifeKoat™ brushed nickel finish.

□ TL960SDP

Soirée™ single-handle lavatory faucet, LifeKoat™ polished nickel finish.

(Available 2Q 2006)



Finishes:

Standard Polished Chrome
Optional LifeKoat™ Polished Brass
LifeKoat™ Brushed Nickel
LifeKoat™ Polished Nickel

See Price Book for additional information

TL960SDC

Soirée™ Single-handle Lavatory Faucet

DESIGN

Designed to match the Soirée™ Suite of fixtures and fittings, Soirée™ faucets can complement any distinctive bath suite. Made from cast brass with washerless ceramic disk valve cartridges, these faucets are durable and offer drip-free performance.

SPECIFICATIONS

Flow Rate: 2.2 gpm (8.3 lpm)
maximum flow rate

Warranty: Lifetime Limited Warranty
(Residential use)
One Year (Commercial use)

Material: Cast Brass

Shipping Weight: **Individual** 6 lbs.
Case (Qty 3) 18 lbs.

Shipping Dimensions: **Individual**
20-1/2"L x 9-3/4"W
x 3-1/2"H

Case (Qty 3)
21-1/4"L x 10-1/2"W
x 11-1/4"H

CODES/STANDARDS

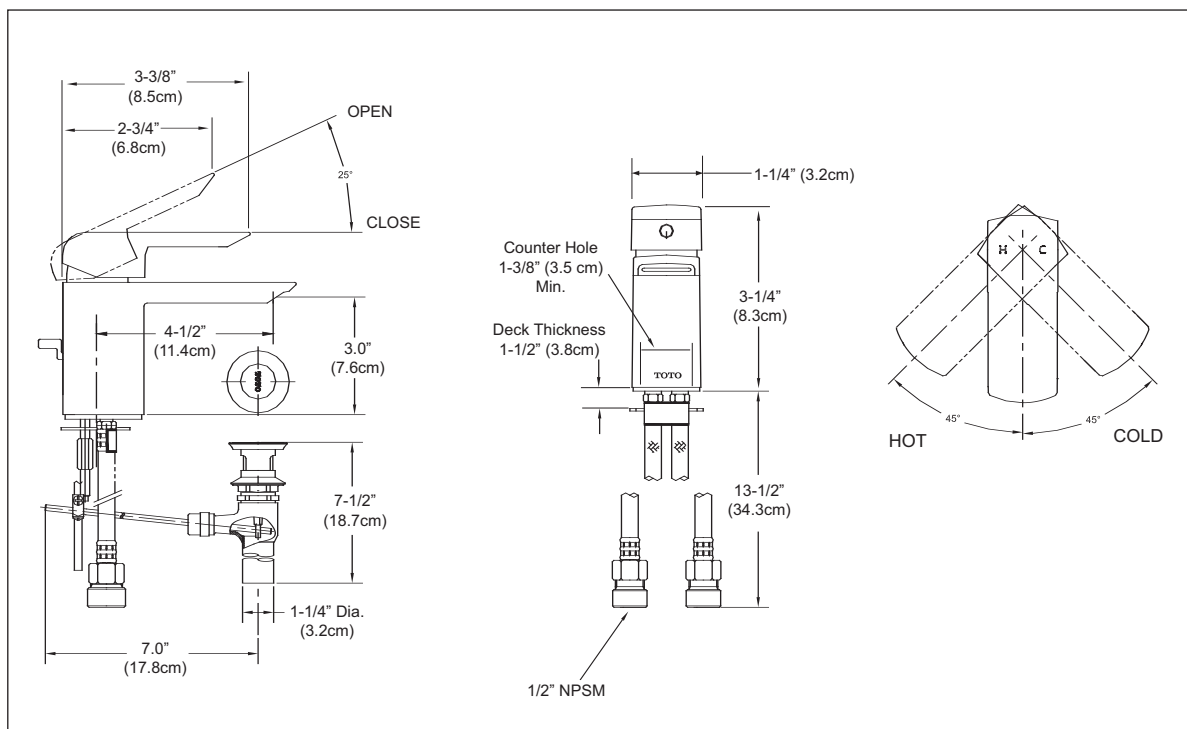
Complies with and exceeds the following standards:
ASME A112.18.1M / CSA B125-2005
NSF 61

Listed by:
IAPMO / C-UPC, NSF and other municipalities



Meets the American Disabilities Act Guidelines and
ANSI A117.1

These dimensions and specifications are subject to change
without notice.



TL960SDC - Soirée™ Single-lever Lavatory Faucet

TOTO®

TOTO® U.S.A., INC. • 1155 Southern Road, Morrow, GA 30260
Tel. (888) 295-8134 • Fax. (800) 699-4889 • www.totousa.com

Printed in U.S.A. © TOTO® LTD. 01/06 #

Printed on recycled paper