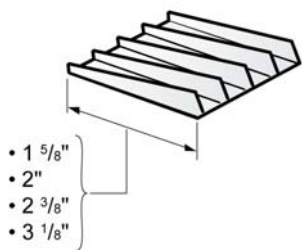


VAPROSILLSAVER™

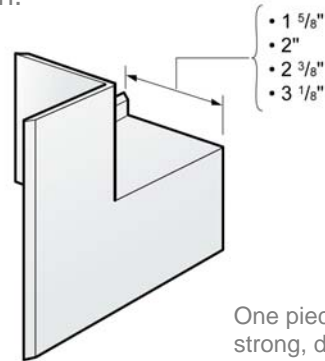
The Patented Sloping Window Sill Pan

VaproSillSaver, a patented sloping window sill, protects window sills against water damage and reduces installation costs by over 50%. Test results yielded no water leakage up to 8.25 PSF of windblown rain. Tests performed in accordance with ASTM 3S 47 and AAMA 502-90.

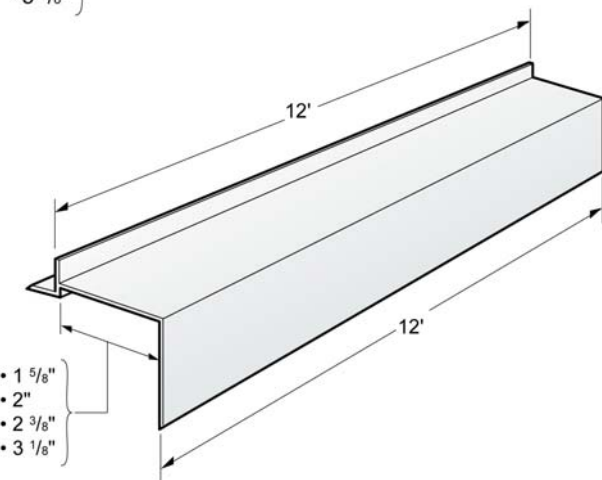
1. Half the cost of welded metal and stainless steel pans.
2. Provides sturdy and level support for windows.
3. Slopes 1/8" from back to front to allow water run off.
4. Compatible with most flashings, vinyl, wood and aluminum windows.
5. Eliminates field verification and sorting.
6. Field fabrication allows for quick and accurate installation.
7. 100% recyclable content.
8. Easily works with other VaproShield products.



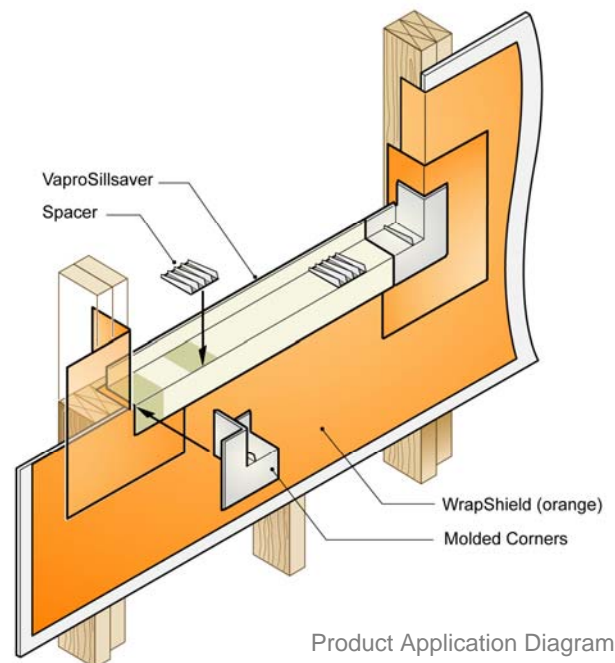
Spacer-support holds window up, level and away from the base for maximum drainage.



One piece molded corners for strong, durable protection.



Extruded high-impact, sloping sill base.



Product Application Diagram