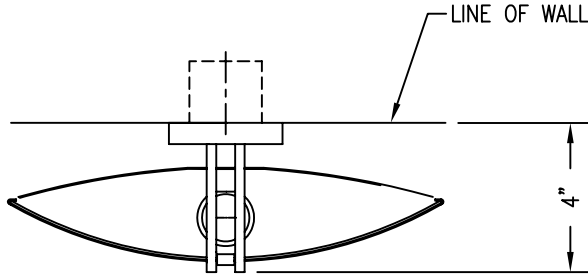
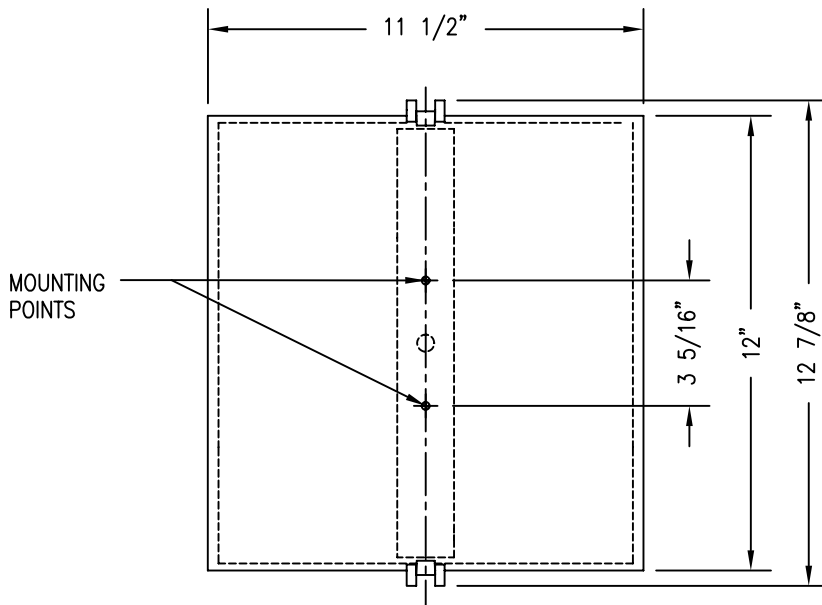


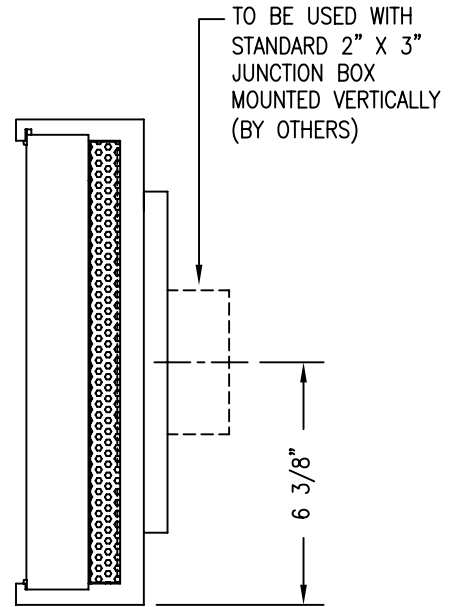
RICHARD MEIER COLLECTION



TOP VIEW



FRONT VIEW



SIDE VIEW

TO BE USED WITH
STANDARD 2" X 3"
JUNCTION BOX
MOUNTED VERTICALLY
(BY OTHERS)



© BALDINGER ARCHITECTURAL LIGHTING, INC.

FIXTURE WEIGHT: 4.5 LBS

PURCHASER: _____ DATE: _____

JOB NAME: _____ TYPE: _____ QUANTITY: _____

METAL FINISHES

- POLISHED BRASS
- SATIN BRASS
- POLISHED CHROME
- SATIN CHROME
- POLISHED NICKEL
- SATIN NICKEL
- GLOSS WHITE
- GLOSS BLACK
- OTHER _____

DIFFUSERS

- WHITE GLASS
- WHITE FAUX ALABASTER ON GLASS
- BEIGE FAUX ALABASTER ON GLASS
- WHITE ACRYLIC
- WHITE PERFORATED METAL WITH ACRYLIC LINER
- BLACK PERFORATED METAL WITH ACRYLIC LINER
- STAINLESS STEEL PERF. METAL WITH ACRYLIC LINER
- OTHER _____

LAMPING

- (1) 60W T10 (120V only)
- (2) CFT 13W (see below)
- OTHER _____

VOLTAGE

- 120V
- 277V
- OTHER _____

BALDINGER

BALDINGER ARCHITECTURAL LIGHTING INC
19-02 STEINWAY STREET, ASTORIA, NEW YORK 11105
TEL. (718) 204-5700 FAX. (718) 721-4986

MAX WALL
RM-27977