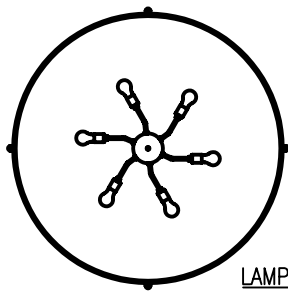
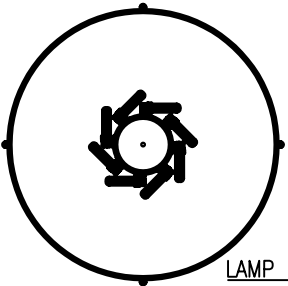


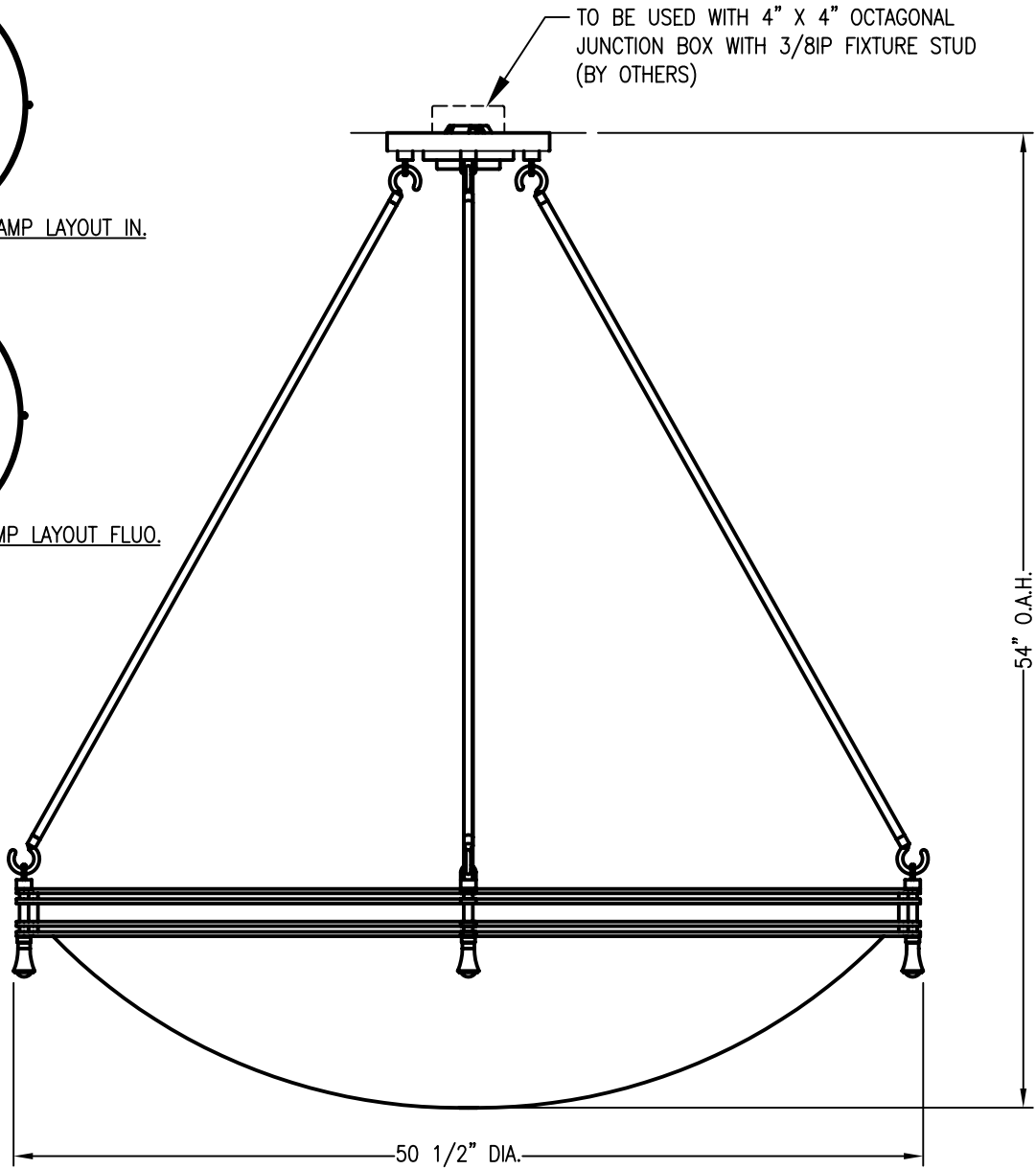
# THE REGH COLLECTION



LAMP LAYOUT IN.



LAMP LAYOUT FLUO.



© BALDINGER ARCHITECTURAL LIGHTING, INC.

FIXTURE WEIGHT: 45 LBS

PURCHASER: \_\_\_\_\_ DATE: 05/28/02

JOB NAME: \_\_\_\_\_ TYPE: \_\_\_\_\_ QUANTITY: \_\_\_\_\_

METAL FINISHES

- POLISHED BRASS
- SATIN BRASS
- ANTIQUE BRASS
- POLISHED NICKEL
- SATIN NICKEL
- OTHER \_\_\_\_\_

DIFFUSERS

- WHITE ACRYLIC
- BEIGE FAUX ALABASTER
- WHITE FAUX ALABASTER
- OTHER \_\_\_\_\_

LAMPING

- (6) 100W A19 (120V only)
- (8) 26W CFQ (see below)
- OTHER \_\_\_\_\_

VOLTAGE

- 120V
- 277V
- OTHER \_\_\_\_\_

JOB #:

# BALDINGER

BALDINGER ARCHITECTURAL LIGHTING INC  
 19-02 STEINWAY STREET, ASTORIA, NEW YORK 11105  
 TEL. (718) 204-5700 FAX. (718) 721-4986

ENDICOTT

RA29635/48