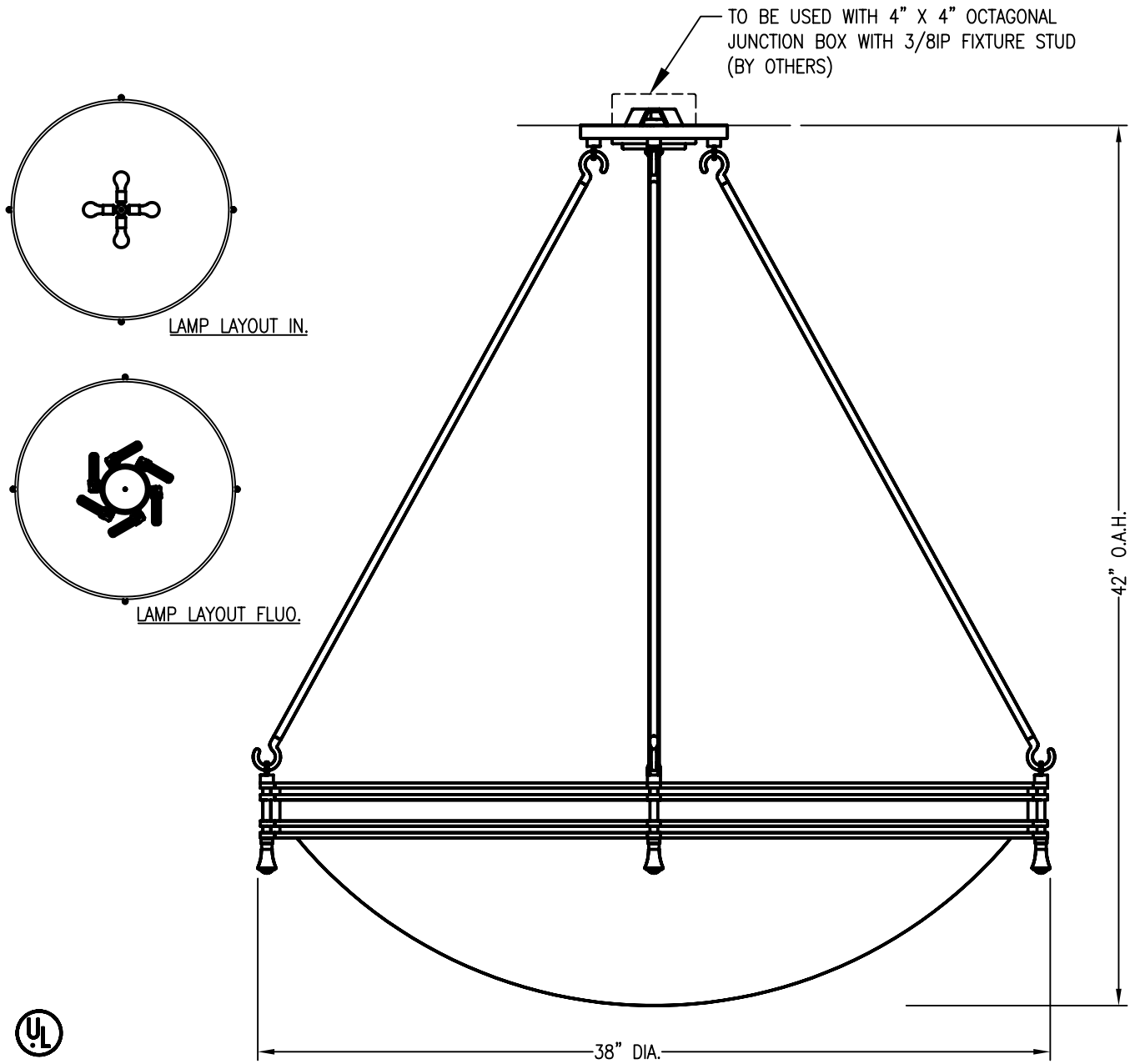


THE REGH COLLECTION



© BALDINGER ARCHITECTURAL LIGHTING, INC.

FIXTURE WEIGHT: 40 LBS

PURCHASER: _____ DATE: 05/28/02

JOB NAME: _____ TYPE: _____ QUANTITY: _____

METAL FINISHES

- POLISHED BRASS
- SATIN BRASS
- ANTIQUE BRASS
- POLISHED NICKEL
- SATIN NICKEL
- OTHER _____

DIFFUSERS

- WHITE ACRYLIC
- BEIGE FAUX ALABASTER
- WHITE FAUX ALABASTER
- OTHER _____

LAMPING

- (4) 100W A-19 (120V only)
- (6) CFQ 18W (see below)
- OTHER _____

VOLTAGE

- 120V
- 277V
- OTHER _____

JOB #:

BALDINGER

BALDINGER ARCHITECTURAL LIGHTING INC
19-02 STEINWAY STREET, ASTORIA, NEW YORK 11105
TEL. (718) 204-5700 FAX. (718) 721-4986

ENDICOTT

RA29635/36