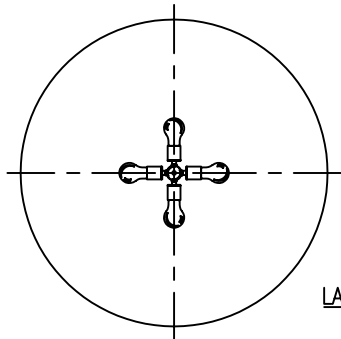
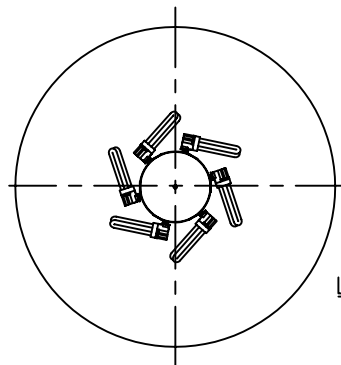


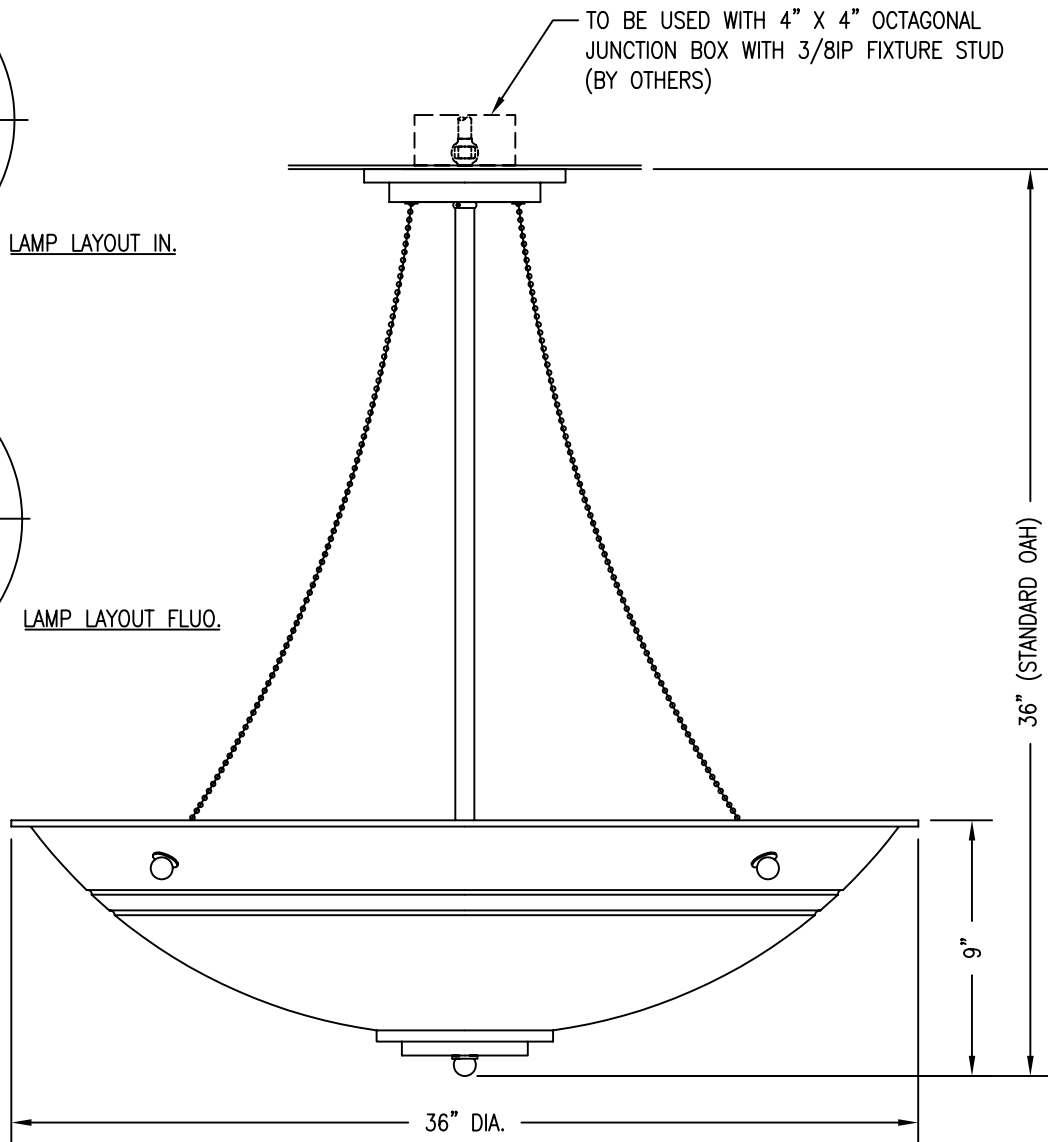
THE MICHAEL GRAVES COLLECTION



LAMP LAYOUT IN.



LAMP LAYOUT FLUO.



TO BE USED WITH 4" X 4" OCTAGONAL JUNCTION BOX WITH 3/8" FIXTURE STUD (BY OTHERS)

36" (STANDARD OAH)

9"

36" DIA.



© BALDINGER ARCHITECTURAL LIGHTING, INC.

FIXTURE WEIGHT: 25 LBS

PURCHASER: _____ DATE: _____

JOB NAME: _____ TYPE: _____ QUANTITY: _____

METAL FINISHES

- ANTIQUE BRASS
- POLISHED BRASS
- SATIN BRASS
- POLISHED CHROME
- SATIN CHROME
- POLISHED NICKEL
- SATIN NICKEL
- PAINTED ETRUSCAN BRONZE
- OTHER _____

DIFFUSERS

- WHITE FAUX ALABASTER
- BEIGE FAUX ALABASTER
- WHITE ACRYLIC
- OTHER _____

LAMPING

- 4 100W "A-19" (120V only)
- (6) CFQ 18W (see below)
- OTHER _____

VOLTAGE

- 120V
- 277V
- OTHER _____

BALDINGER

BALDINGER ARCHITECTURAL LIGHTING INC
 19-02 STEINWAY STREET, ASTORIA, NEW YORK 11105
 TEL. (718) 204-5700 FAX. (718) 721-4986

MODENA

MG27228/36