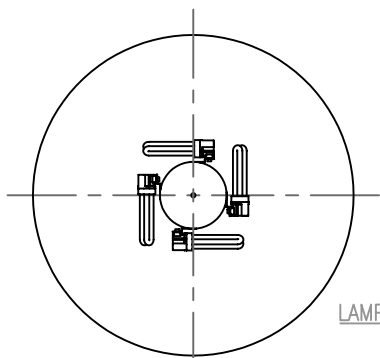
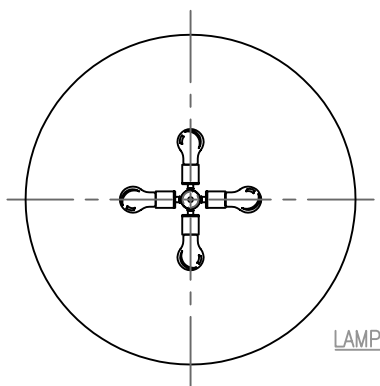


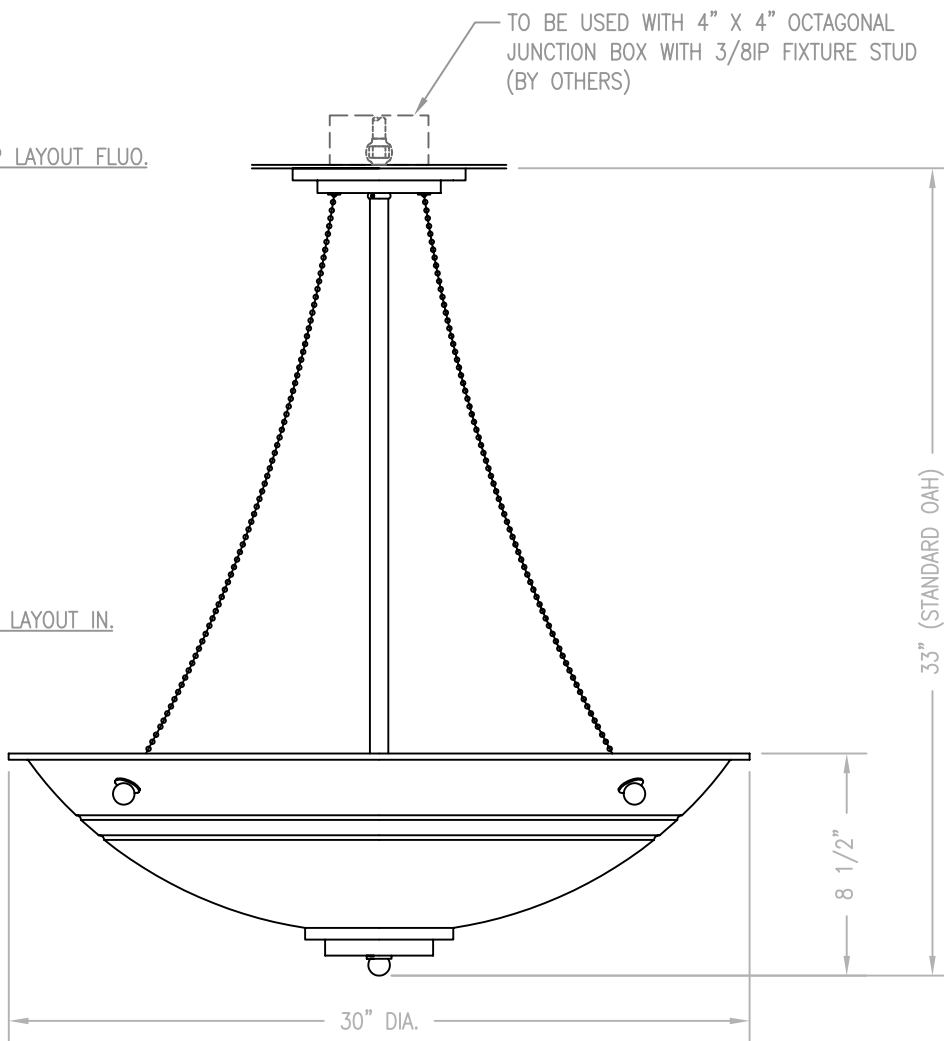
# THE MICHAEL GRAVES COLLECTION



LAMP LAYOUT FLUO.



LAMP LAYOUT IN.



© BALDINGER ARCHITECTURAL LIGHTING, INC.

FIXTURE WEIGHT: 20 LBS

PURCHASER: \_\_\_\_\_ DATE: \_\_\_\_\_

JOB NAME: \_\_\_\_\_ TYPE: \_\_\_\_\_ QUANTITY: \_\_\_\_\_

## METAL FINISHES

- ANTIQUE BRASS
- POLISHED BRASS
- SATIN BRASS
- POLISHED CHROME
- SATIN CHROME
- POLISHED NICKEL
- SATIN NICKEL
- PAINTED ETRUSCAN BRONZE
- OTHER \_\_\_\_\_

## DIFFUSERS

- WHITE FAUX ALABASTER
- BEIGE FAUX ALABASTER
- WHITE ACRYLIC
- OTHER \_\_\_\_\_

## LAMPING

- (4) 100W A-19 (120V only)
  - (4) CFQ 18W (see below)
  - OTHER \_\_\_\_\_
- G24q-2 BASE, ELECTRONIC BALLAST

## VOLTAGE

- 120V
- 277V
- OTHER \_\_\_\_\_
- H.P.F.

# BALDINGER

BALDINGER ARCHITECTURAL LIGHTING INC  
 19-02 STEINWAY STREET, ASTORIA, NEW YORK 11105  
 TEL. (718)204-5700 FAX. (718)721-4986

MODENA  
 MG27228/30