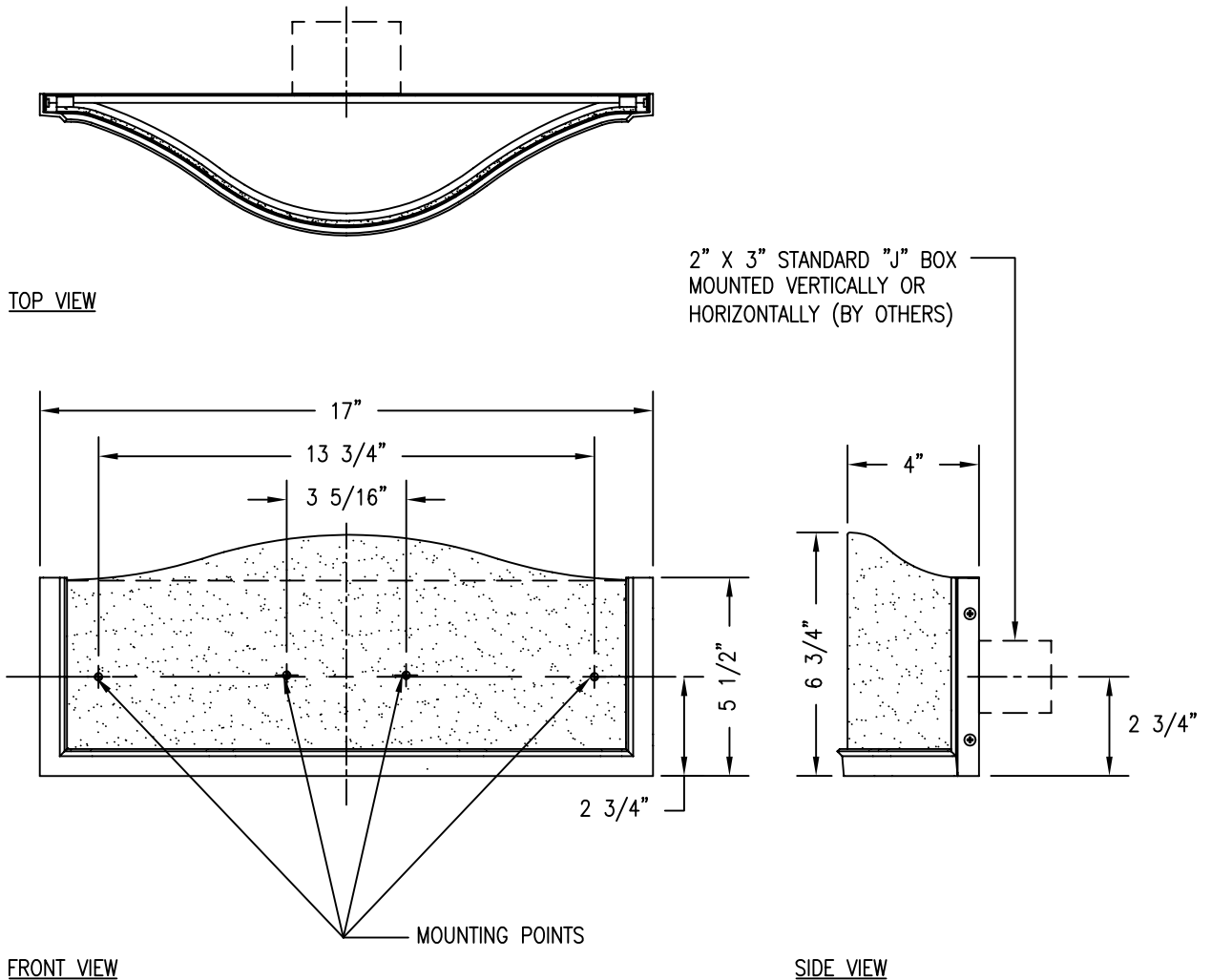


THE KEVIN WALZ COLLECTION



U.S. PAT. NO. DES., D403,458
 © BALDINGER ARCHITECTURAL LIGHTING, INC.

FIXTURE WEIGHT: 5 LBS

PURCHASER: _____ DATE: _____

JOB NAME: _____ TYPE: _____ QUANTITY: _____

METAL FINISHES

- ANTIQUE BRASS
- SATIN NICKEL
- OTHER _____

DIFFUSERS

- WHITE ACRYLIC
- WHITE FAUX ON CLEAR ACRYLIC
- BEIGE FAUZ ON CLEAR ACRYLIC
- OTHER _____

LAMPING

- (1) 75W A19 (120V only)
- (2) CFT 13 W (see below)
- OTHER _____

VOLTAGE

- 120V 277V OTHER _____

BALDINGER

BALDINGER ARCHITECTURAL LIGHTING INC
 19-02 STEINWAY STREET, ASTORIA, NEW YORK 11105
 TEL. (718)204-5700 FAX. (718)721-4986

BOWED WALL
KW29299