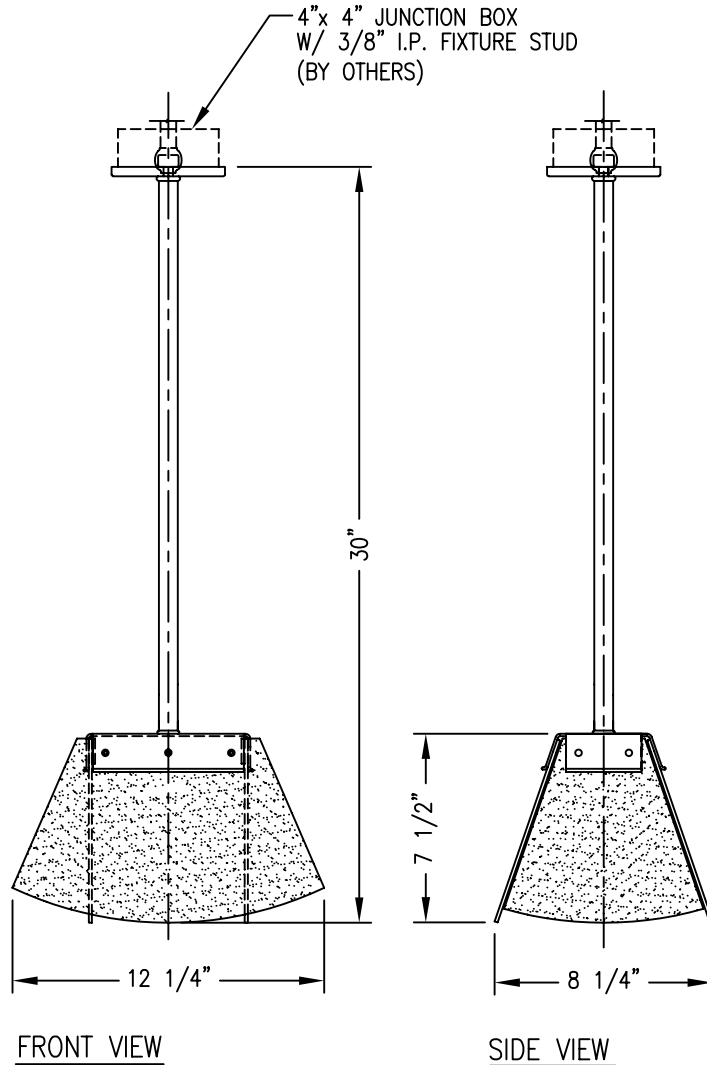


# KEVIN WALZ COLLECTION



- \* Lamping Options :
- 1 x 60W G25 Incandescent
  - 1 x 75W A19 Incandescent
  - 1 x 15W Elec. Fluor. Globe
  - SLS/G30 (Philips)
  - FLG15/E (GE)
  - EFG15E (Panasonic)
  - Not Dimmable
  - 120 V Only



U.S. PAT. NO. DES., D405,208

© BALDINGER ARCHITECTURAL LIGHTING, INC.

FIXTURE WEIGHT: 7 LBS

PURCHASER: \_\_\_\_\_ DATE: \_\_\_\_\_

JOB NAME: \_\_\_\_\_ TYPE: \_\_\_\_\_ QUANTITY: \_\_\_\_\_

METAL FINISHES

- ANTIQUE BRASS
- SATIN NICKEL
- OTHER \_\_\_\_\_

DIFFUSERS

- WHITE ACRYLIC
- WHITE FAUX ON CLEAR ACRYLIC
- BEIGE FAUZ ON CLEAR ACRYLIC
- OTHER \_\_\_\_\_

LAMPING

- 1 75W A19 (120V only) MEDIUM BASE
- OTHER \_\_\_\_\_ \*SEE OPTIONS ABOVE

VOLTAGE

- 120V  277V  OTHER \_\_\_\_\_

# BALDINGER

BALDINGER ARCHITECTURAL LIGHTING INC  
19-02 STEINWAY STREET, ASTORIA, NEW YORK 11105  
TEL. (718) 204-5700 FAX. (718) 721-4986

**BAY ARC PENDANT**  
**KW-29296**