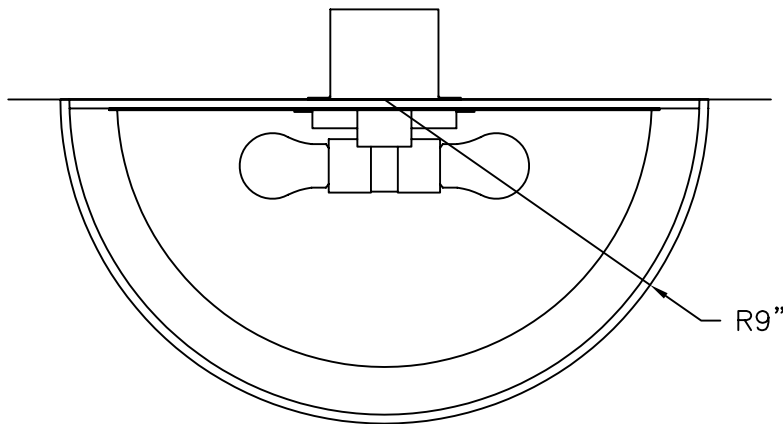
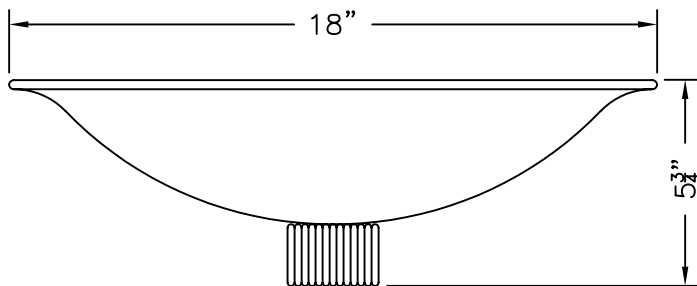


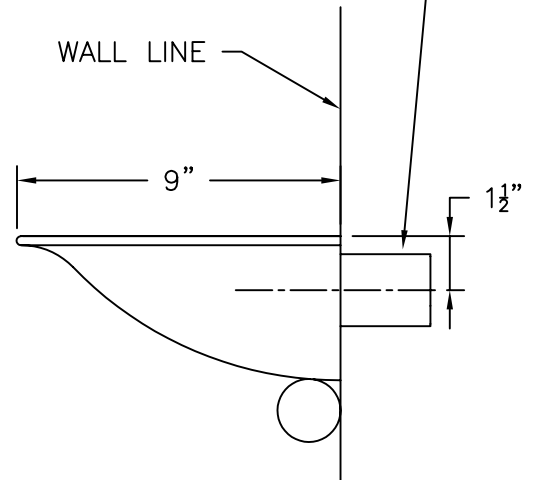
CLASSIC COLLECTION



LAMPING LAYOUT - INCANDESCENT



TO BE USED WITH 2" X 3" GEM BOX
MOUNTED HORIZONTALLY (BY OTHERS)



© BALDINGER ARCHITECTURAL LIGHTING, INC.

FIXTURE WEIGHT 7 LBS.

PURCHASER: _____ DATE: XX/XX/XX
 JOB NAME: _____ TYPE: _____ QUANTITY: X

METAL FINISHES

- ANTIQUE BRASS
- POLISHED BRASS
- SATIN BRASS
- POLISHED NICKEL
- SATIN NICKEL
- OTHER _____

DIFFUSERS

- WHITE ACRYLIC
- BEIGE FAUX ALABASTER ON ACRYLIC
- WHITE FAUX ALABASTER ON ACRYLIC
- WHITE ACRYLIC FROSTED
- OTHER _____

LAMPING

- (2) x 40W A19 MEDIUM BASE (120V ONLY)
- OTHER _____

VOLTAGE

- 120V
- OTHER _____

JOB # _____

BALDINGER

BALDINGER ARCHITECTURAL LIGHTING INC
 19-02 STEINWAY STREET, ASTORIA, NEW YORK 11105
 TEL. (718) 204-5700 FAX. (718) 721-4986

LEHAUTOBOIS SCNCE
 CC30170 18

Drawn By: _____

Rev.date: _____

Rev. By: _____