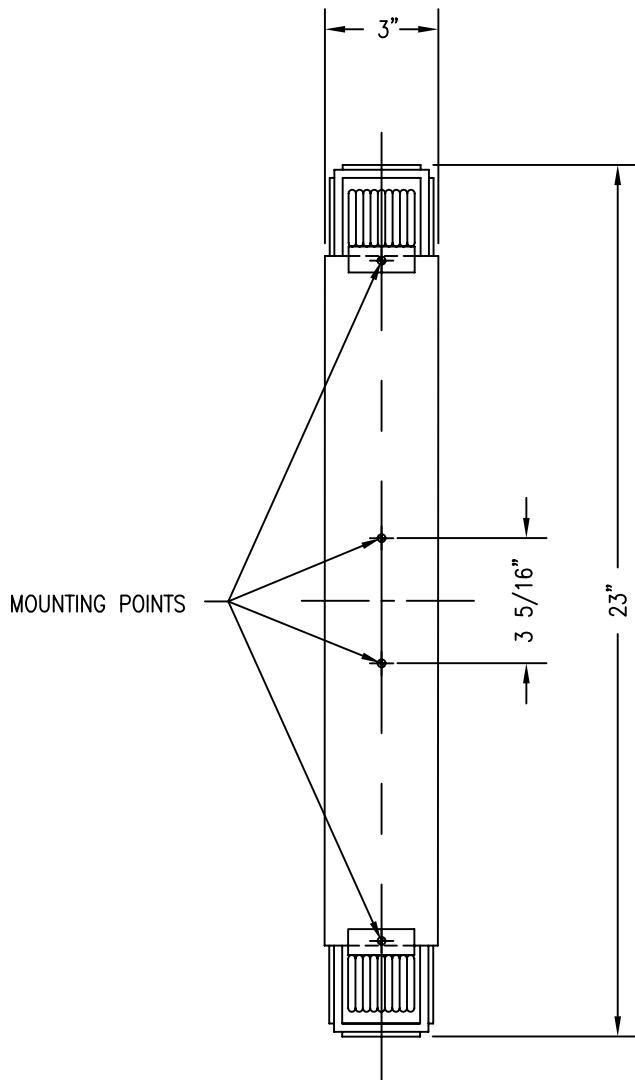
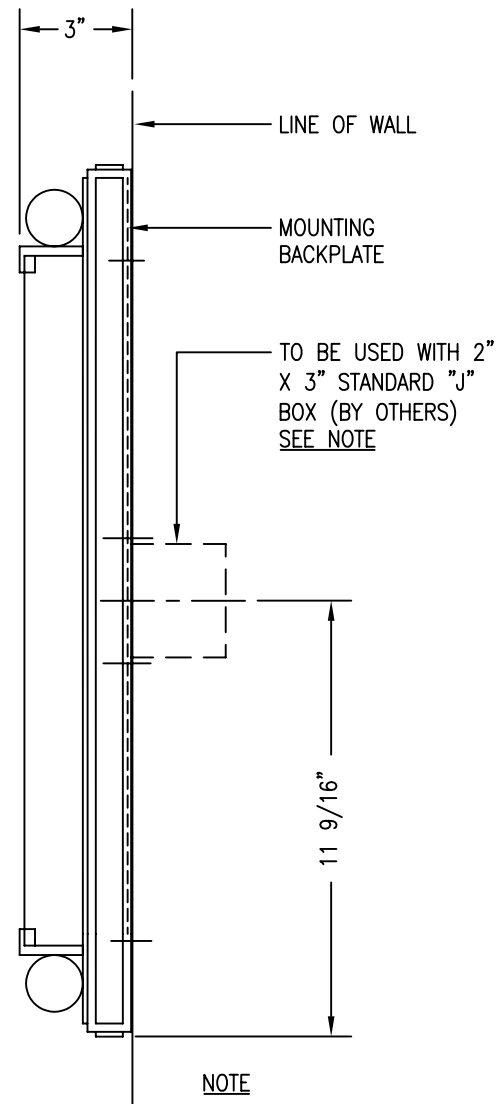


CLASSIC COLLECTION



FRONT VIEW



SIDE VIEW

NOTE

FIXTURE CAN BE MOUNTED HORIZONTALLY OR VERTICALLY. JUNCTION BOX TO BE MOUNTED HORIZONTALLY OR VERTICALLY FOLLOWING POSITION OF FIXTURE.

FIXTURE WEIGHT: 10 LBS



© BALDINGER ARCHITECTURAL LIGHTING, INC.

PURCHASER: _____ DATE: _____

JOB NAME: _____ TYPE: _____ QUANTITY: _____

METAL FINISHES

- POLISHED BRASS
- SATIN BRASS
- ANTIQUE BRASS
- POLISHED NICKEL
- SATIN NICKEL
- OTHER _____

DIFFUSERS

- WHITE OPAL ACRYLIC
- OTHER _____

LAMPING

- (1)F15W-T8 (see below)
- OTHER _____

MEDIUM BI-PIN BASE, ELECTRONIC BALLAST

VOLTAGE

- 120V 277V OTHER _____
- H.P.F.

BALDINGER

BALDINGER ARCHITECTURAL LIGHTING INC
19-02 STEINWAY STREET, ASTORIA, NEW YORK 11105
TEL. (718)204-5700 FAX. (718)721-4986

LA CLARINETTE
CC29279