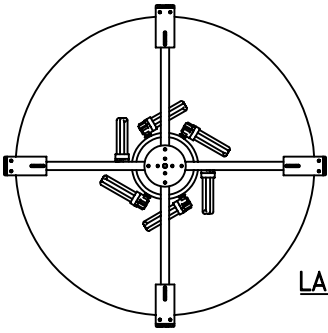
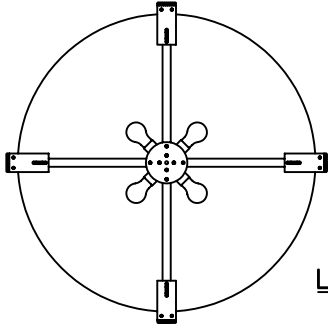


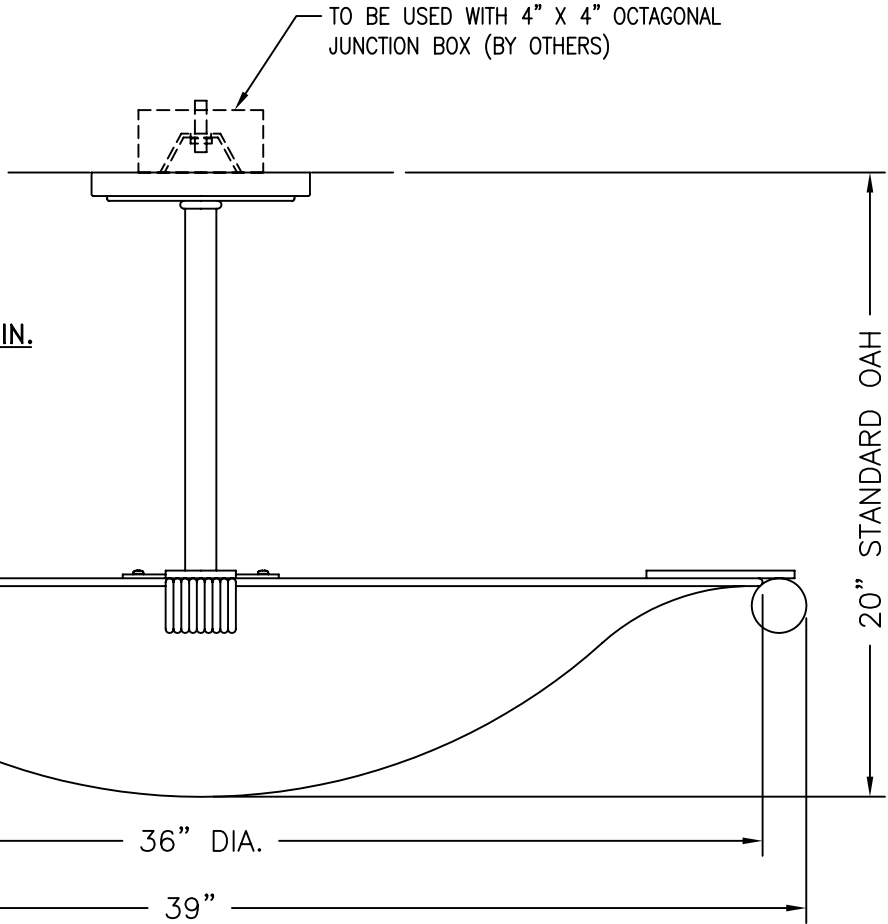
# CLASSIC COLLECTION



LAMP LAYOUT FLUO.



LAMP LAYOUT IN.



© BALDINGER ARCHITECTURAL LIGHTING, INC.

FIXTURE WEIGHT: 20 LBS

PURCHASER: \_\_\_\_\_ DATE: \_\_\_\_\_

JOB NAME: \_\_\_\_\_ TYPE: \_\_\_\_\_ QUANTITY: \_\_\_\_\_

**METAL FINISHES**

- ANTIQUE BRASS
- SATIN BRASS
- POLISHED BRASS
- SATIN NICKEL
- POLISHED NICKEL
- OTHER \_\_\_\_\_

**DIFFUSERS**

- WHITE ACRYLIC
- BEIGE FAUX ALABASTER ON ACRYLIC
- WHITE FAUX ALABASTER ON ACRYLIC
- WHITE ACRYLIC FROSTED
- OTHER \_\_\_\_\_

**LAMPING**

- (4) 100W A-19 (120V only)
  - (6) CFQ 18W (see below)
  - OTHER \_\_\_\_\_
- G24q-2 BASE, ELECTRONIC BALLAST

**VOLTAGE**

- 120V
- 277V
- OTHER \_\_\_\_\_
- H.P.F.

# BALDINGER

BALDINGER ARCHITECTURAL LIGHTING INC  
 19-02 STEINWAY STREET, ASTORIA, NEW YORK 11105  
 TEL. (718) 204-5700 FAX. (718) 721-4986

**LE HAUTOBOIS**  
**CC30154/36**