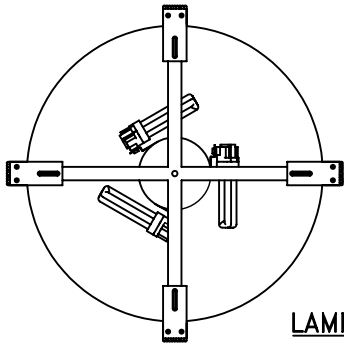
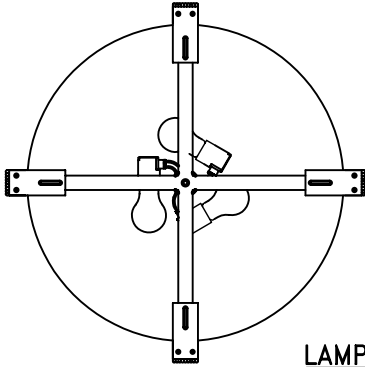


CLASSIC COLLECTION

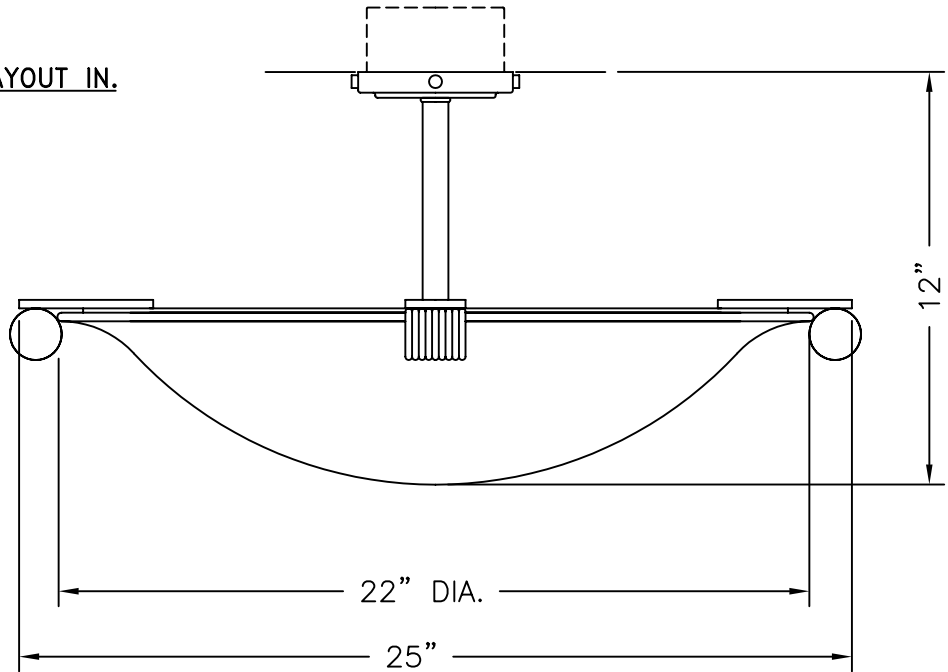


LAMP LAYOUT FLUO.



LAMP LAYOUT IN.

TO BE USED WITH 4" X 4" OCTAGONAL JUNCTION BOX (BY OTHERS)



© BALDINGER ARCHITECTURAL LIGHTING, INC.

FIXTURE WEIGHT: 10 LBS

PURCHASER: _____ DATE: _____

JOB NAME: _____ TYPE: _____ QUANTITY: _____

METAL FINISHES

- ANTIQUE BRASS
- SATIN BRASS
- POLISHED BRASS
- SATIN NICKEL
- POLISHED NICKEL
- OTHER _____

DIFFUSERS

- WHITE ACRYLIC
- BEIGE FAUX ALABASTER ON ACRYLIC
- WHITE FAUX ALABASTER ON ACRYLIC
- WHITE ACRYLIC FROSTED
- OTHER _____

LAMPING

- (3) 60W A19 (120V only)
 - (3) CFQ 13W (see below)
 - OTHER _____
- G24q-1 BASE, ELECTRONIC BALLAST

VOLTAGE

- 120V
- 277V
- OTHER _____
- H.P.F.

BALDINGER

BALDINGER ARCHITECTURAL LIGHTING INC
 19-02 STEINWAY STREET, ASTORIA, NEW YORK 11105
 TEL. (718) 204-5700 FAX. (718) 721-4986

LE HAUTOBOIS
CC30154/22