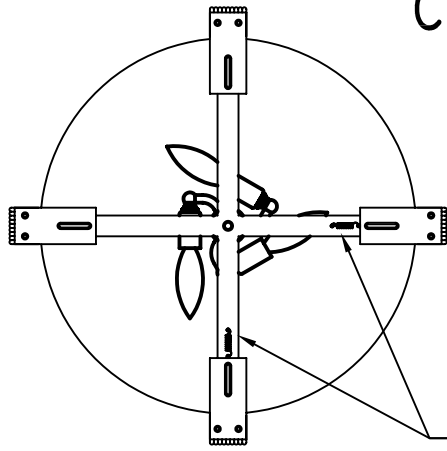
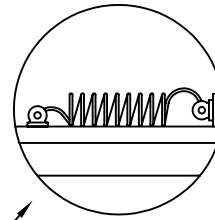


# CLASSIC COLLECTION



LAMPING LAYOUT

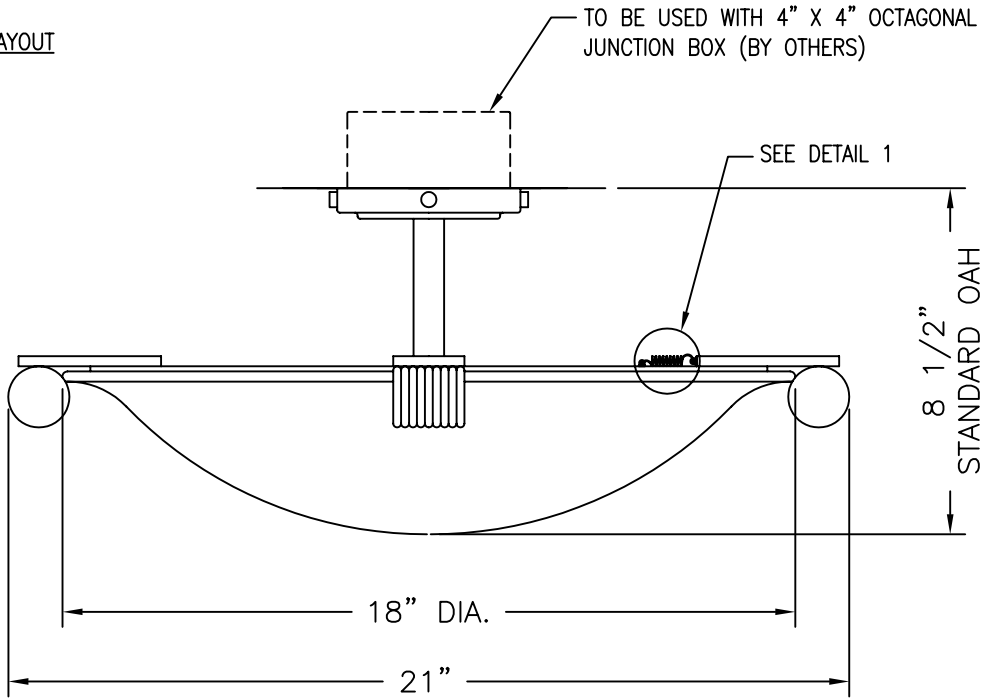


DETAIL 1

PULL BRACKETS TO  
INSTALL/RELEASE DIFFUSER

USE SPRING DEVICE  
TO INSTALL DIFFUSER

TO BE USED WITH 4" X 4" OCTAGONAL  
JUNCTION BOX (BY OTHERS)



© BALDINGER ARCHITECTURAL LIGHTING, INC.

FIXTURE WEIGHT: 7 LBS

PURCHASER: \_\_\_\_\_ DATE: \_\_\_\_\_

JOB NAME: \_\_\_\_\_ TYPE: \_\_\_\_\_ QUANTITY: \_\_\_\_\_

METAL FINISHES

- ANTIQUE BRASS
- SATIN BRASS
- POLISHED BRASS
- SATIN NICKEL
- POLISHED NICKEL
- OTHER \_\_\_\_\_

DIFFUSERS

- WHITE ACRYLIC
- BEIGE FAUX ALABASTER ON ACRYLIC
- WHITE FAUX ALABASTER ON ACRYLIC
- WHITE ACRYLIC FROSTED
- OTHER \_\_\_\_\_

LAMPING

- (3) 60W B10 CANDELABRA (120V only)
- (3) 13W CFQ (see below)
- OTHER \_\_\_\_\_

VOLTAGE

- 120V
- 277V
- OTHER \_\_\_\_\_

# BALDINGER

BALDINGER ARCHITECTURAL LIGHTING INC  
19-02 STEINWAY STREET, ASTORIA, NEW YORK 11105  
TEL. (718) 204-5700 FAX. (718) 721-4986

LE HAUTBOIS  
CC30154/18