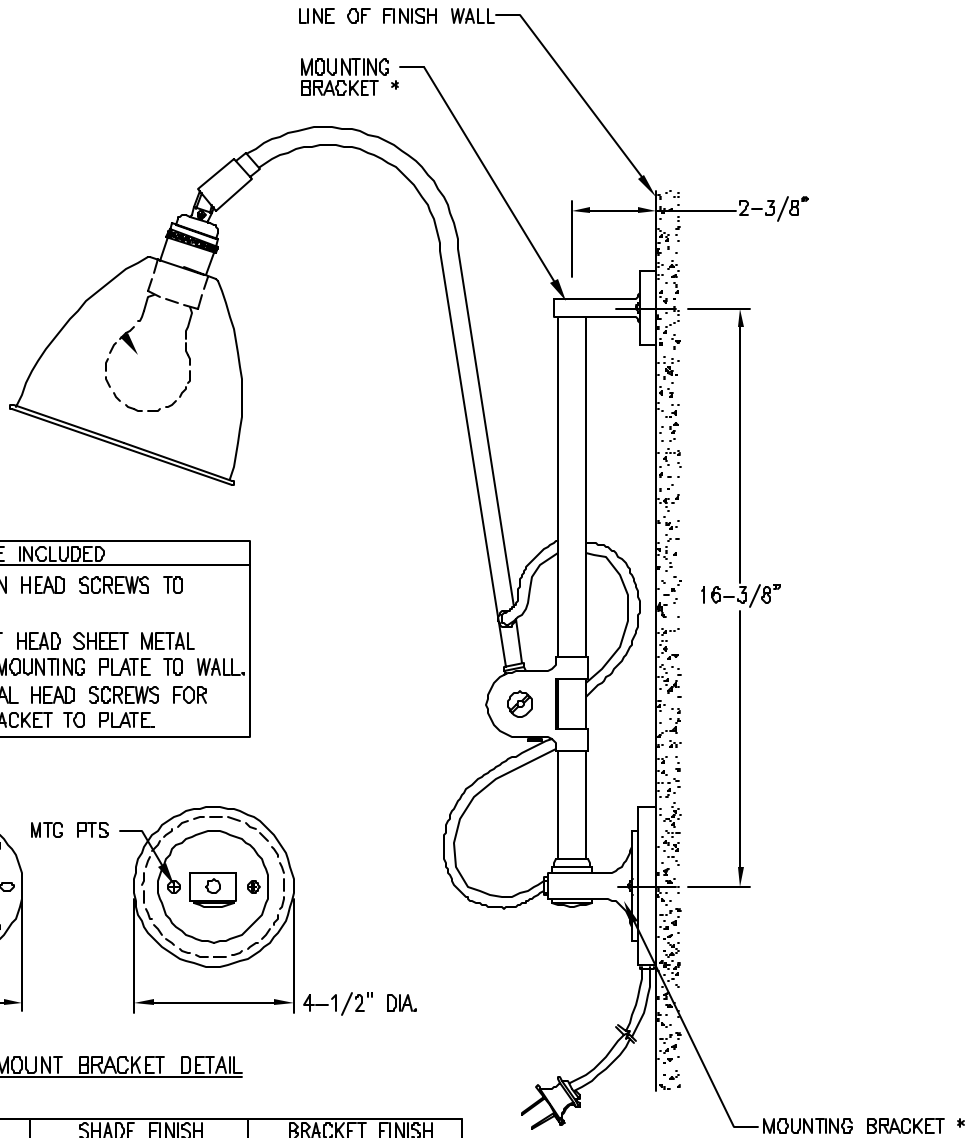
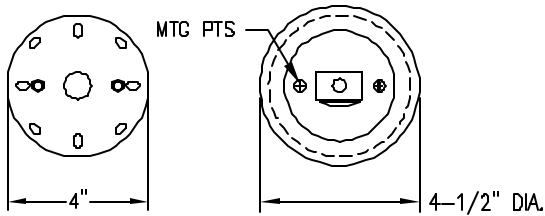


BRITANNIA COLLECTION



- HARDWARE INCLUDED**
1. #6-32 X 3/4" PAN HEAD SCREWS TO 2" X 3" J-BOX
 2. #6 X 1-1/2" FLAT HEAD SHEET METAL SCREWS FOR TOP MOUNTING PLATE TO WALL.
 3. #8-32 X 1/2" OVAL HEAD SCREWS FOR TOP & BOTTOM BRACKET TO PLATE.



WALL MOUNT BRACKET DETAIL



* FIXTURE FINISH	SHADE FINISH	BRACKET FINISH
POLISHED BRASS	BLACK	BLACK
POLISHED CHROME	BLACK	BLACK
POLISHED BRASS	POLISHED BRASS	BLACK
POLISHED CHROME	POLISHED CHROME	BLACK

© BALDINGER ARCHITECTURAL LIGHTING, INC.

FIXTURE WEIGHT: LBS

PURCHASER: _____ DATE: 06/07/05
 JOB NAME: _____ TYPE: _____ QUANTITY: _____

METAL FINISHES
 POLISHED BRASS
 POLISHED CHROME
 OTHER _____

DIFFUSERS
 MATTE BLACK
 POLISHED BRASS
 POLISHED CHROME
 CLEAR GLASS, FROSTED BOTH SIDES
 WHITE CASSED GLASS
 OTHER _____

LAMPING
 1 X A21 3WAY MED BASE (120V only)
 OTHER _____

VOLTAGE
 120V 277V OTHER _____

BALDINGER

BALDINGER ARCHITECTURAL LIGHTING INC
 19-02 STEINWAY STREET, ASTORIA, NEW YORK 11105
 TEL. (718) 204-5700 FAX. (718) 721-4986

WALL SCONCE
BL28660/W

Rev. date:

Drawn by NP

Rev.

Revised by