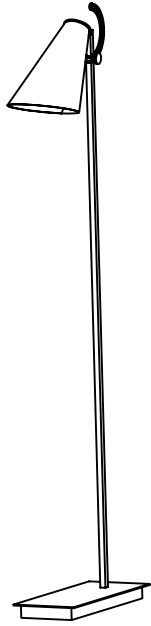


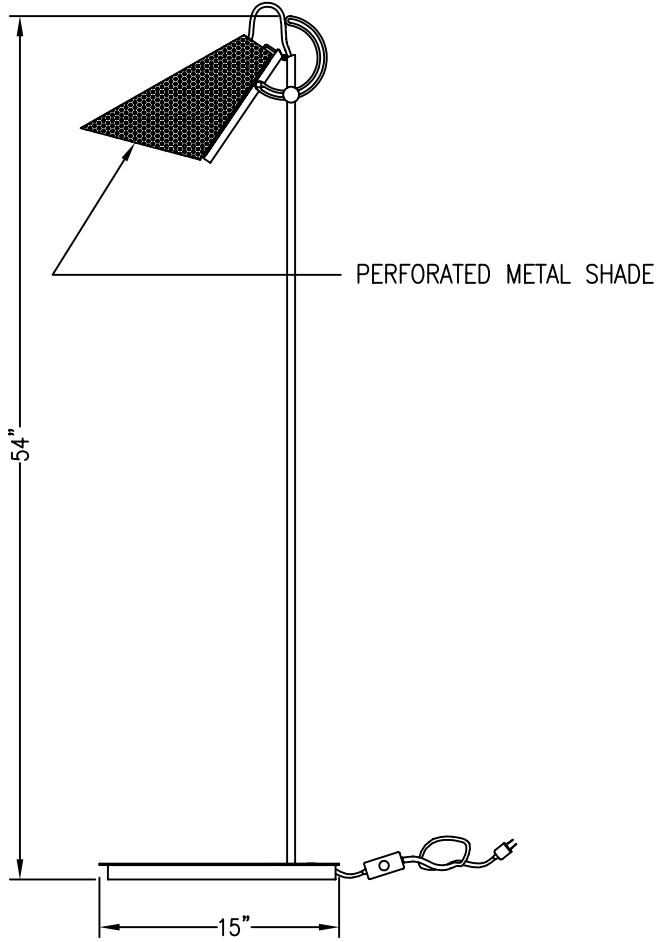
# THE ANDREE PUTMAN COLLECTION



3D VIEW



FRONT VIEW



SIDE VIEW

PURCHASER: \_\_\_\_\_ DATE: \_\_\_\_\_

JOB NAME: \_\_\_\_\_ TYPE: \_\_\_\_\_ QUANTITY: \_\_\_\_\_

METAL FINISHES

DIFFUSERS

LAMPING

- SATIN NICKEL
- STN NICKEL/STN BRASS COMBINATION
- OTHER \_\_\_\_\_
- PERFORATED METAL WITH LINER
- OTHER \_\_\_\_\_

- (1) 100W A-19 (120V only)
- OTHER \_\_\_\_\_

VOLTAGE

- 120V  277V  OTHER \_\_\_\_\_

**BALDINGER**

BALDINGER ARCHITECTURAL LIGHTING INC  
 19-02 STEINWAY STREET, ASTORIA, NEW YORK 11105  
 TEL. (718) 204-5700 FAX. (718) 721-4986

**COMPAS**  
**AP-30242**