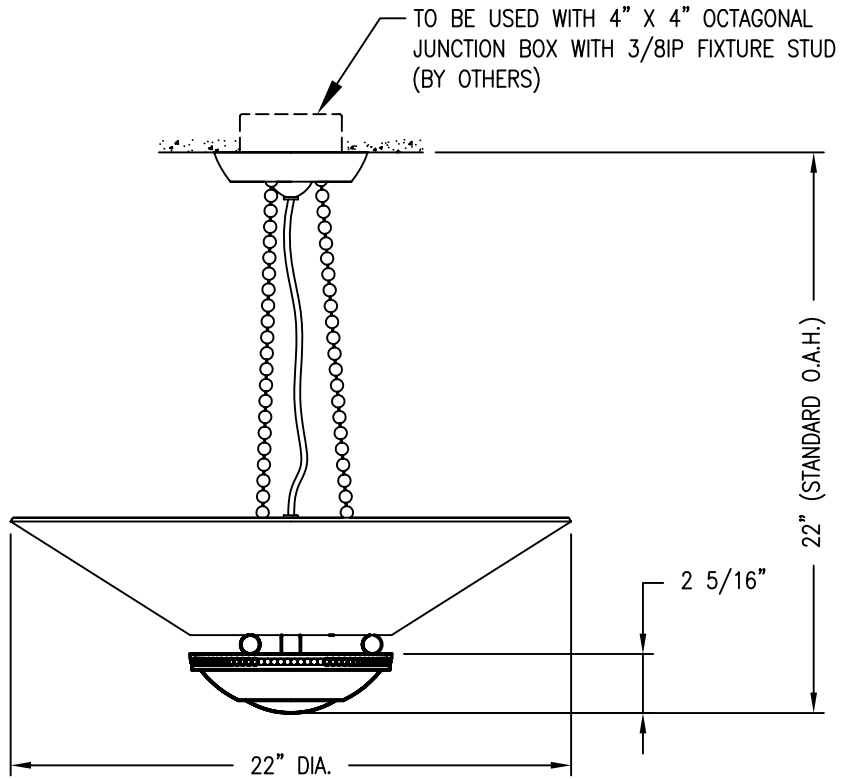
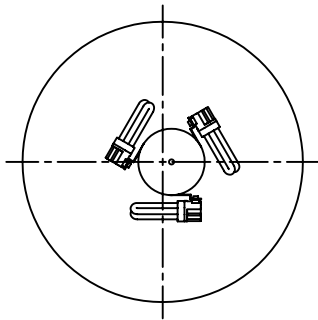
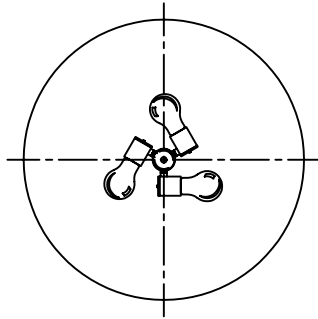


# THE ADAM D. TIHANY COLLECTION



FRONT VIEW



© BALDINGER ARCHITECTURAL LIGHTING, INC.

FIXTURE WEIGHT: 10 LBS

PURCHASER: \_\_\_\_\_ DATE: \_\_\_\_\_

JOB NAME: \_\_\_\_\_ TYPE: \_\_\_\_\_ QUANTITY: \_\_\_\_\_

METAL FINISHES

ANTIQUE BRASS  
SATIN BRASS  
SATIN NICKEL  
POLISHED NICKEL  
OTHER \_\_\_\_\_

DIFFUSERS

BEIGE FAUX ALABASTER ON ACRYLIC  
WHITE FAUX ALABASTER ON ACRYLIC  
WHITE OPAL ACRYLIC  
OTHER \_\_\_\_\_

LAMPING

(3) 60W A19 (120V only)  
(3) 13W CFQ (see below)  
OTHER \_\_\_\_\_

VOLTAGE

120V 277V OTHER \_\_\_\_\_

**BALDINGER**

BALDINGER ARCHITECTURAL LIGHTING INC  
19-02 STEINWAY STREET, ASTORIA, NEW YORK 11105  
TEL. (718) 204-5700 FAX. (718) 721-4986

**KELEV**  
**AT30455/22**