

Vox®

RECEPTION DESK SERVICE DESK INSTALLATION GUIDE

Tel 800 668 9318
Tel 416 298 5700
Fax 416 298 9535
mail@nienkamper.com
www.nienkamper.com



T-SLOT NUT

Used in conjunction with the slots on the legs and bases



WOODEN SPLINE

1/8" x 7/8" x (24" - varies)
Inserts into the edge of multiple segment tops



PAN HEAD SOCKET BOLT

M6 x 6mm & 8mm
joins cantilever brackets to legs



TITE-JOINT FASTENERS

3 piece assembly plus 1 tightening rod



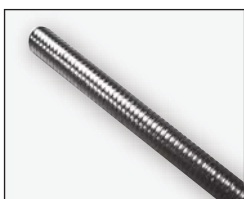
FLAT HEAD HEX SOCKET BOLT

4mm - 1" x 1/4-20
joins brackets to tops



ALLAN KEY

Small 4 mm
For installing brackets to tops
For installing cantilever brackets to legs



THREADED ROD

5/16" x 13" (nut also included)
Screws into top and the gallery
post slide down



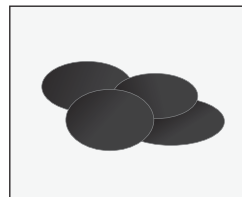
MINI-FIX CAM & CONNECTING RODS

Attaches modesty panel to legs
and bases



COUNTERSUNK BOLT

1/4-20 x 3/4"
Attaches gallery support
to gallery top



MINI-FIX COVERS

White/Black/Grey will be provided.
Covers mini-fix cams



WOOD SCREW

#6 x 5/8"
For installing grommets and
book slots to tops

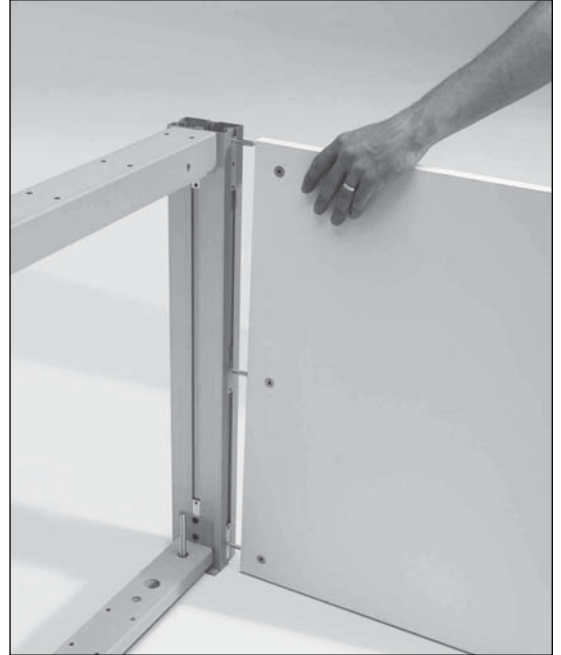
INSTALLING BASE TO MODESTY



1

- Screw one mini-fix connecting rod into the hole on each t-slot nut (located at the top, middle & bottom of the base).

2



- With the mini-fix cams facing inwards, slide the modesty panel onto the connecting rods. In some cases the t-slot nut and mini-fix connector pin may have to be re-adjusted to line up with the holes on the modesty panel.
- Note: The bottom edge of the vertical column (the base extrusion) should line up with the bottom of the modesty panel.



3

- Turn the mini-fix cam clockwise to tighten modesty panel to the base.

4



- Place mini-fix covers over the cams.

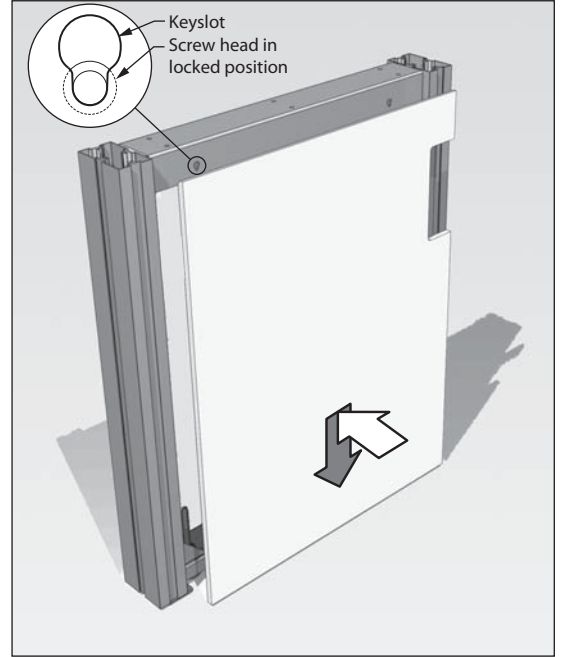
LEVELLING BASE



5

- Using a screwdriver, level the desk by raising or lowering the levelers in the base.

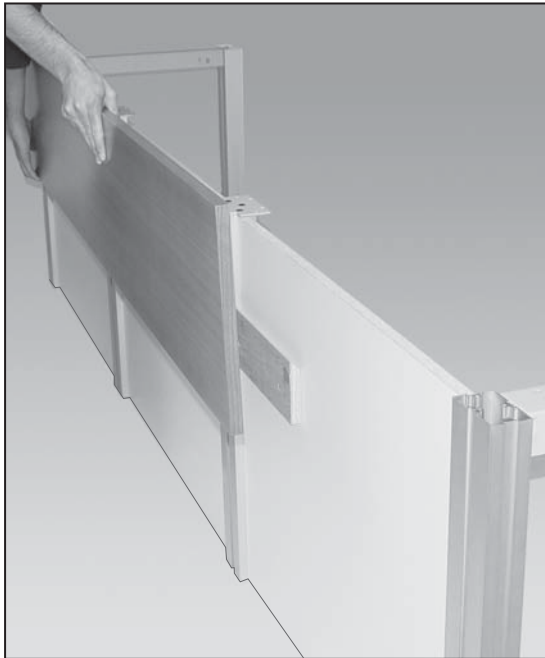
REMOVEABLE BASE PANEL



6

- Place the head of the screws thru the keyslot found on the base bracket. Allow the panel to drop down and seat itself in the keyslot.

INSTALLING VALANCE



7

- Drop the valance down onto the cleat located on the modesty panel(s).
- Note: Valance must be installed prior to installing tops.

INSTALLING BASE TO TOP



8

- Using the included 1/4-20 joiner bolts, attach the tops by aligning the holes in the brackets with the appropriate threaded insert in the top.
- Single legs may need to be nudged forward or back to line up with the holes in the top.

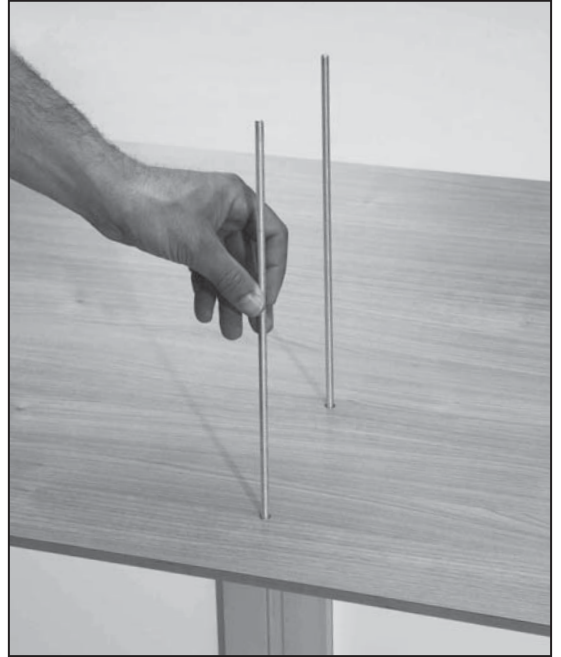
INSTALLING GROMMET



9

- Attach grommets to the underside using #6 x 5/8" wood screws.

INSTALLING GALLERY SUPPORT RODS



10

- Drop the threaded rods through the holes in the top and screw them into the threaded insert (which is found on the underside of the top).

INSTALLING GALLERY SUPPORT POST



11

- Slide the gallery post assembly over the threaded rods. The threaded rods need to pass through the holes in the bracket but only enough for the lock nut to fasten. If the rod is too tall the gallery top won't seat correctly. Adjust the threaded rods appropriately.

ATTACHING GALLERY POSTS



12

- Place the 1/4"-20 lock nuts on to the ends of the threaded rods and hand tighten. In some cases you may need to loosen the nuts on the post to allow the panel to slide in easier.

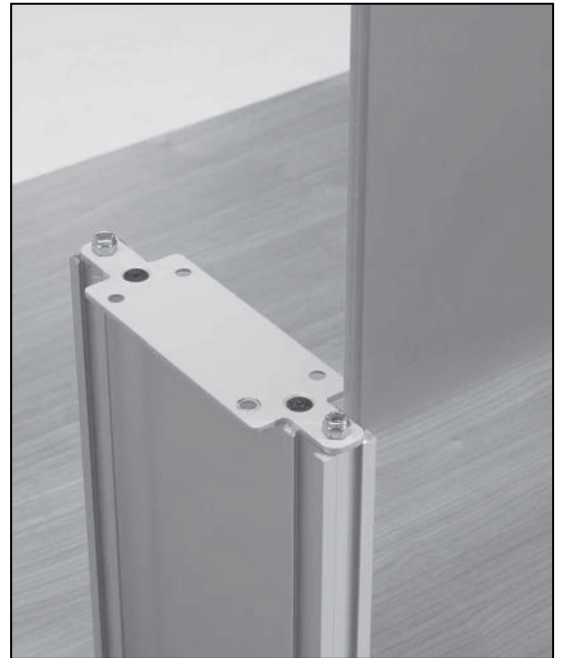
INSTALLING WOOD GALLERY PANEL



13

- Wood gallery panels: Slide the t-nuts into the groove on the extrusion. The panel needs to be placed in the extrusion closest to the approach side of the desk.

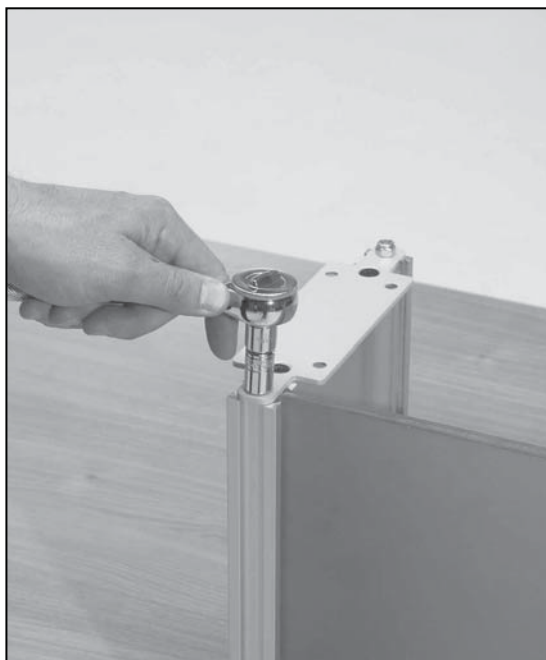
INSTALLING GLASS GALLERY PANEL



14

- Glass gallery panels: Slide the glass into the groove on the extrusion. The panel needs to be placed in the extrusion closest to the approach side of the desk.

TIGHTENING GALLERY POSTS



15

- Finish tightening the lock nut on the gallery post. If there is a glass panel be sure not to over tighten as it will force the bracket down onto the glass causing the corners to crack.

INSTALLING OPTIONAL TACK PANEL



16

- If there is a tack panel with accessory rails there will be a cleat attached to the face of the gallery panel.

INSTALLING OPTIONAL TACK PANEL CONTINUED

ATTACHING GALLERY TOP



17

- Slide the tack panel onto the cleat to secure its position.

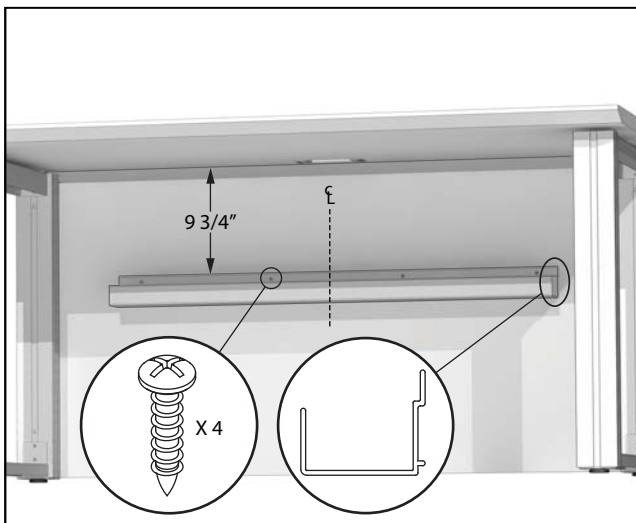


18

- Place the gallery top onto the brackets. The underside of the gallery top has recessed pockets which allow the brackets to sit flush with the underside.
- Secure the gallery top in place by using the 1/4-20 x 3/4" countersunk bolt.

WIRE MANAGEMENT TROUGH

VOX POWER CHANNEL

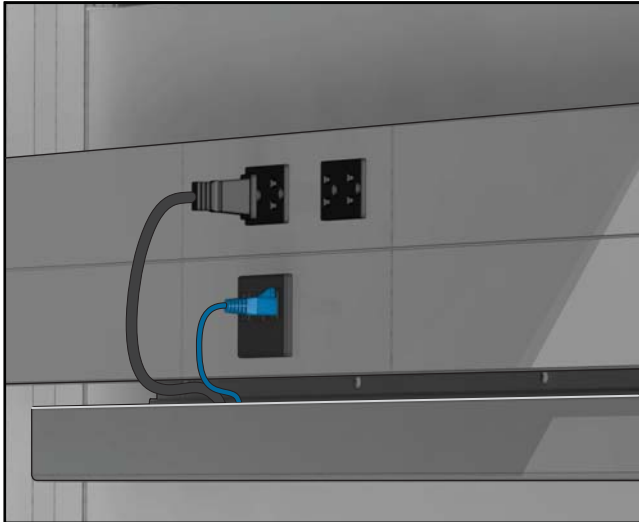


19 20

- Before installing the Vox Power Channel the grey plastic Wire Trough must be mounted.
- Find and mark the center line between bases, measure 9 3/4" down from underside of top and strike a level line.
- Mark the center line of the Wire Trough and align with center line between bases.
- Align top of trough with the level line at 9 3/4" and affix using #6 x 5/8" wood screws.

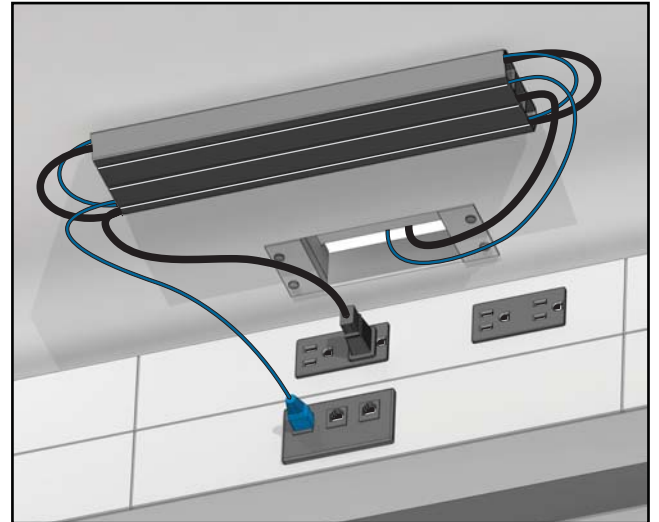


- **If your assembly includes a Power Channel, please refer to separate Vox Power Channel installation guide for detailed installation instructions.**



21

- Install Power Channel as described in the separate Vox Power Channel installation guide.
- Feed excess wire into the wiring trough as required.



22

- Remove the protective film from the Wire Management Strip and position on underside of table in desired location.
- Wires feed into strip by pushing past flexible fins and are held in place..
- Excess cable length can be wrapped and fed into the strip multiple times.

- FOR DESKS WITH HEIGHT ADJUSTABLE ELEMENTS, PLEASE SEE WARNING BELOW AND ADDITIONAL ADJ. HEIGHT USER GUIDE.

WARNING !



IMPORTANT - HEIGHT ADJUSTABLE ELEMENTS HAVE BEEN DESIGNED TO REDUCE THE RISK OF INJURY

CARE MUST BE TAKEN TO INSURE INDIVIDUALS ARE NOT OBSTRUCTING THE USE OF THIS FURNITURE WHILE IN OPERATION.

SPECIAL CARE MUST BE TAKEN TO INSURE HEAD, HANDS, ARMS, OR ANY OTHER BODY PARTS ARE NOT PLACED BETWEEN COMPONENTS AT ANY TIME