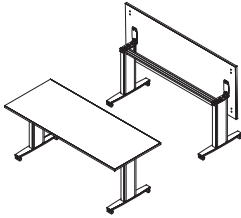


# Vox®

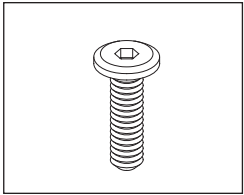
Tel 800 668 9318  
Tel 416 298 5700  
Fax 416 298 9535  
mail@nienkamper.com  
www.nienkamper.com



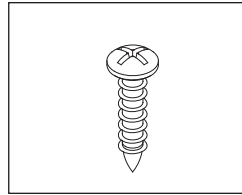
## FLIPTOP™ TABLE INSTALLATION GUIDE

### HARDWARE PARTS LIST

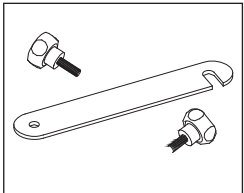
---



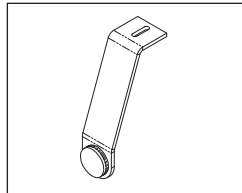
**FLAT HEAD HEX SOCKET BOLT**  
1/4-20 x 1"  
Joins base assembly to top  
For use with all flip top tables



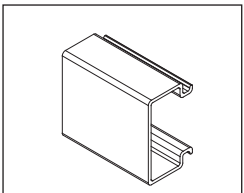
**PHILLIPS PANHEAD WOOD SCREW**  
#6 x 3/8"  
Used to attach modesty panel and  
modesty panel stop brackets to table top  
For use with flip top tables with  
modesty panels



**THUMBSCREWS AND GANGING CLIP**  
Joins multiple tables together  
For use with all flip top tables

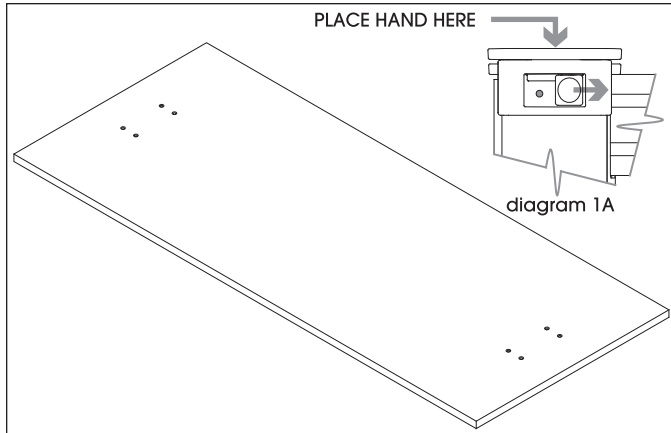


**MODESTY PANEL STOP BRACKET**  
Used to position and limit  
movement of modesty panel  
For use with flip top tables  
with modesty panels



**WIRE MANAGEMENT "U" CLIPS**  
Grey ABS plastic  
Used to secure wires to support rail  
For use with flip top tables with forums

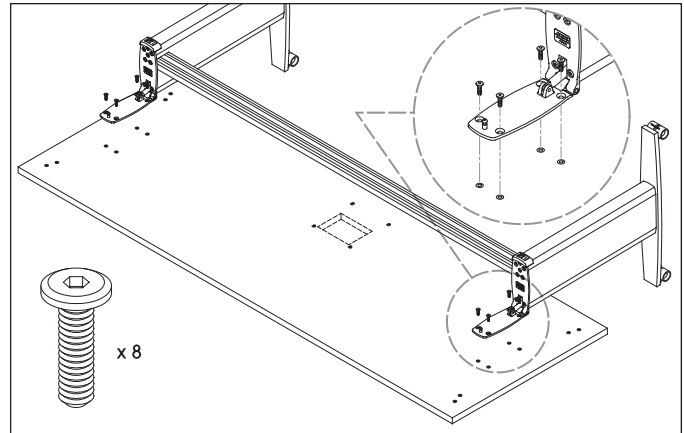
## UNLOCK HINGE



1

- Remove the cardboard packaging from the base assembly.
- On a protected surface, place the top upside down (threaded inserts facing up).
- Open both hinges on the base assembly by placing one hand on top of hinge and sliding swivel latch to the right hand side (dia. 1A). **WARNING: WHEN CLOSED, HINGE IS UNDER LOAD AND WILL SPRING OPEN, KEEP HAND ON TOP OF HINGE TO AVOID INJURY.**

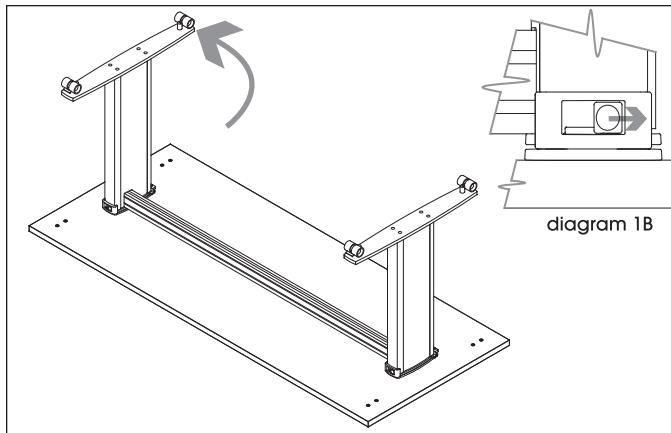
## ATTACH BASE TO TOP



2

- Set the base assembly on its side lining up the through holes in the hinge with the threaded inserts in the top.
- Using 8 1/4"-20 joiner bolts included in hardware package, join the top to the base. \*Start all of the bolts before completely tightening.
- If there is a hole in the top for a forum, position it towards the base.

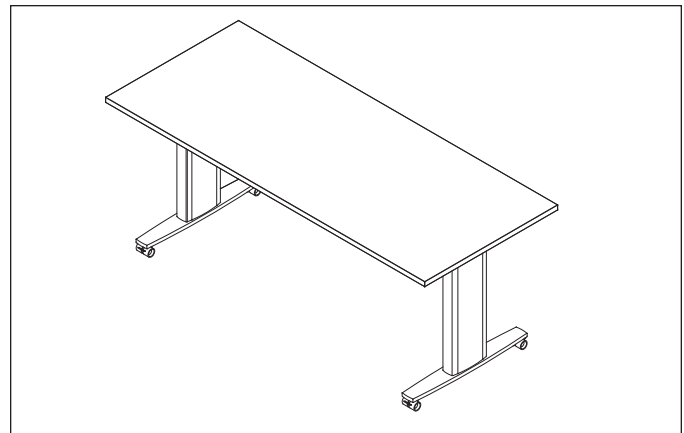
## LOCK HINGE



3

- Fold base assembly into its closed position and lock the swivel catches (slide to left hand side covering the orange dot- dia. 1B).

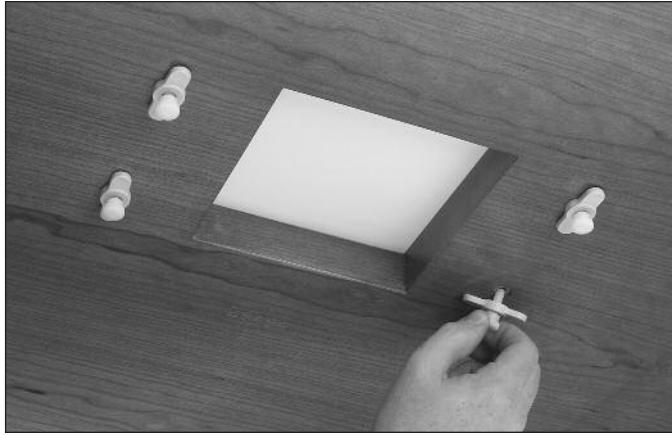
## BASIC ASSEMBLY COMPLETE



4

- Rotate table into normal position.

## INSTALL THUMB SCREWS

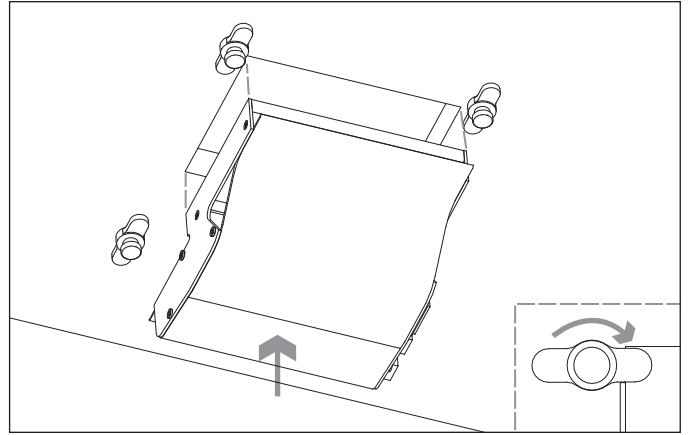


- Thread the 4 plastic thumb screw and clip assemblies into the threaded inserts around the square cut out.

## INSTALL VOX® FORUM®

5

6



- Insert the power / data component into the hole, rotate the plastic clips into place and tighten.

## CONNECT CABLES



- Insert the supplied cables into the side of the power / data component and secure to the rail assembly using grey plastic wire management "U" clips supplied.

## WIRE MANAGEMENT

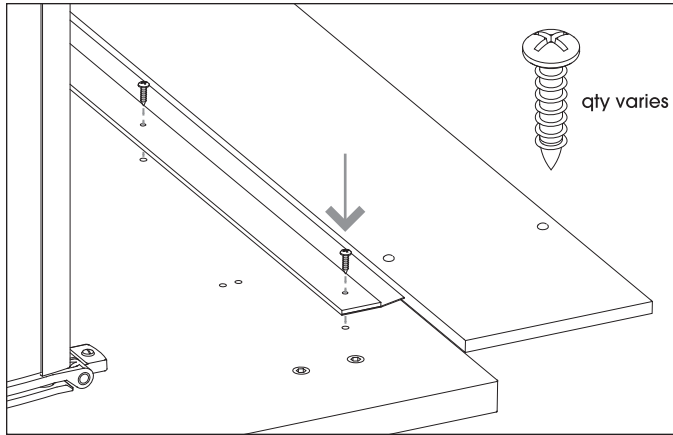
7

8



- Once in an upright position the wires can continue down either leg to be secured by the wire manager at the base of the foot. Simply pull out from the underside of base to expose.

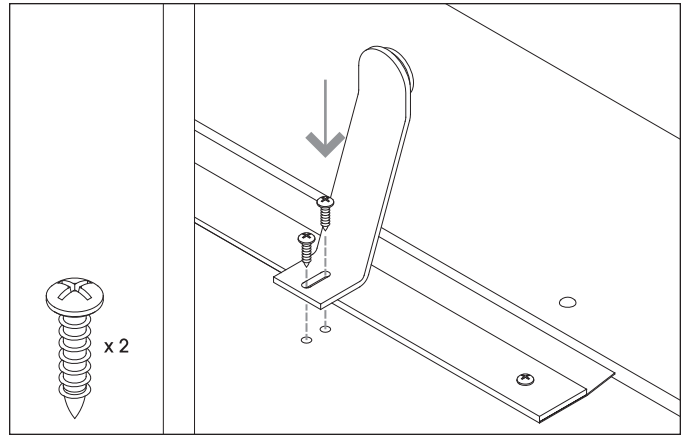
## ATTACH MODESTY PANEL



9

- Place the modesty panel onto the underside of top lining up the holes in aluminum mounting strip with pilot holes in the top.
- Secure the modesty panel using #6 x 5/8" wood screws supplied.

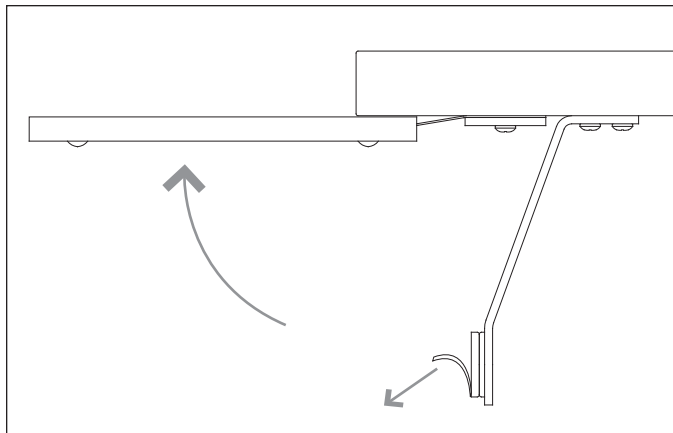
## ATTACH STOP BRACKET



10

- To prevent the modesty panel from swaying, mount the 2 aluminum modesty panel stop brackets by centering the slot with pilot holes on the underside of top.
- Secure with 2- #6 x 5/8" wood screws supplied (x 2 locations).
- Rotate the table into it's upright position.

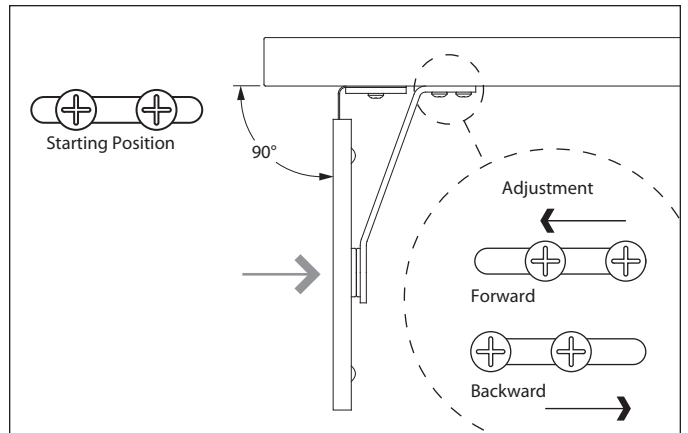
## INSTALL VELCRO TAB



11

- Once the table is in its correct position, tilt the modesty away from the brackets and remove the protective film from the adhesive on the Velcro tab.

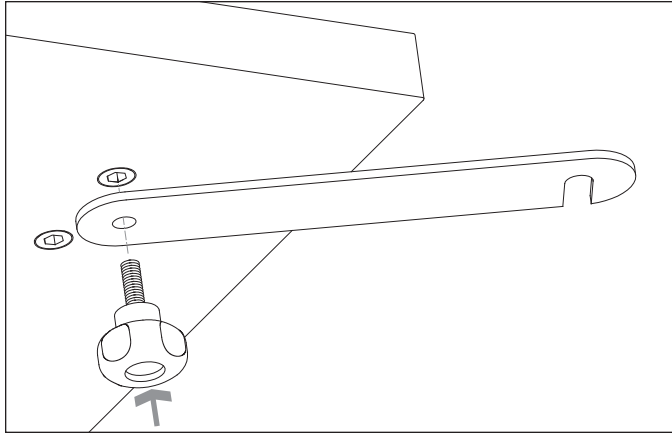
## ADJUST STOP BRACKET AND COMPLETION



12

- Firmly press modesty panel against brackets to adhere Velcro to modesty panel. As the top swivels up or down the modesty panel will be released or caught by the Velcro tabs.
- If necessary, slightly loosen stop bracket screws and adjust brackets so the modesty panel hangs at 90 degrees from the table.
- Modesty panel installation complete.

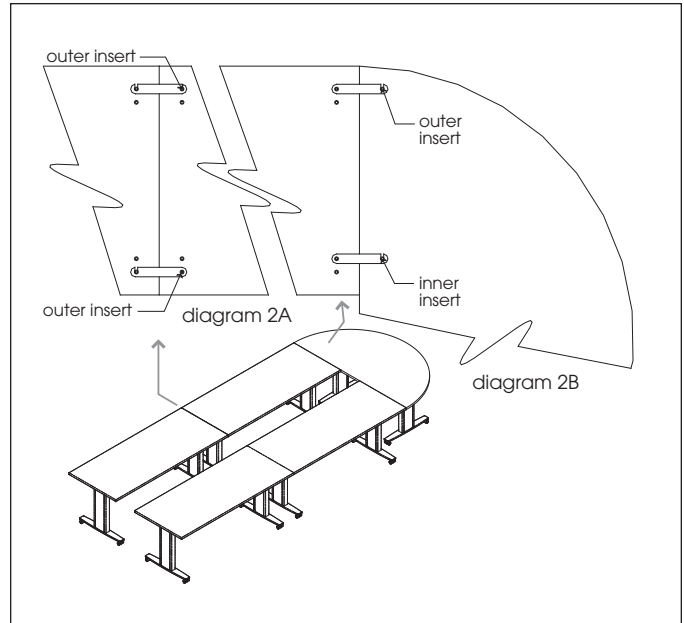
## INSTALL GANGING CLIP



- Remove the ganging clips and thumb screws from the hardware pack.
- Insert the thumb screw through the hole in the metal clip and into the appropriate threaded insert on the underside of the top as illustrated in steps 2 and 3.

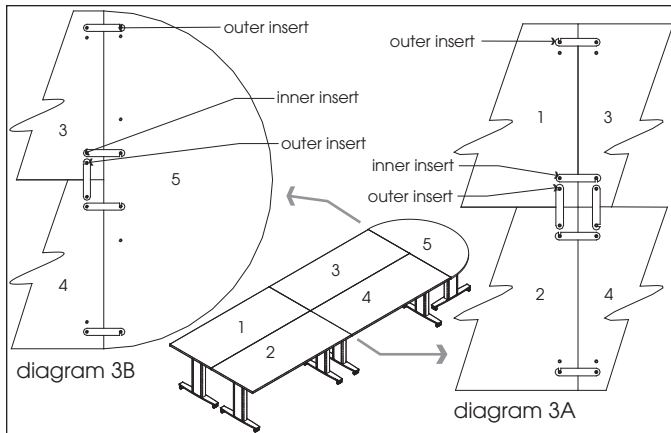
## GANGING CLIP POSITIONS

13 14



- To gang tables end to end, both clips are mounted in inserts closest to the outer table edge as shown in dia. 2A.
- To gang an end run half round table, clip closest to outer edge of table is mounted in outer insert as shown in dia. 2B.
- Clip located towards centre of table is mounted to inner insert as shown in dia. 2B.

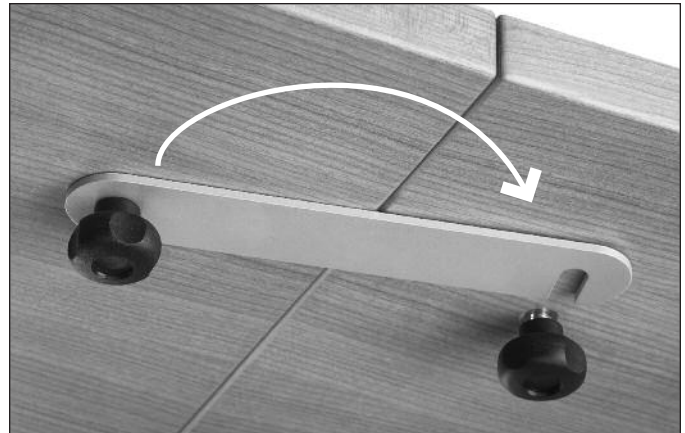
## GANGING CLIP POSITIONS



- To gang tables end to end and side to side requires table 1 to mount to table 3 using clips located in outer insert and inner insert (same for tables 2 to 4).
- This locks tables end to end.
- Additional clips positioned in outer inserts lock tables together side to side (tables 1/3 to 2/4) as shown in dia. 3A.
- An end run half round table (5) will require clips positioned in outer insert closest the edge and inner insert towards the centre as shown in dia. 3B.

## LOCKING GANGING CLIP

15 16



- Push tables together, swivel ganging clip into place and tighten to secure.

**NOTE: DO NOT FLIP TABLES WHILE GANGED TOGETHER. THIS COULD DAMAGE THE HINGE MECHANISM.**