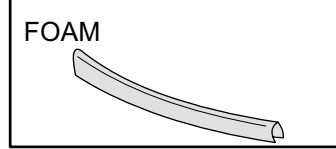
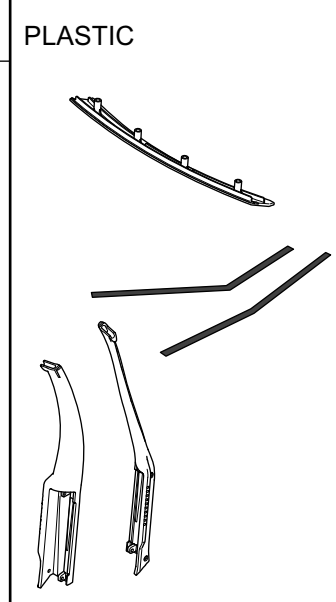
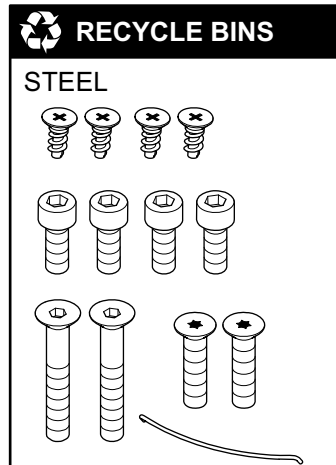
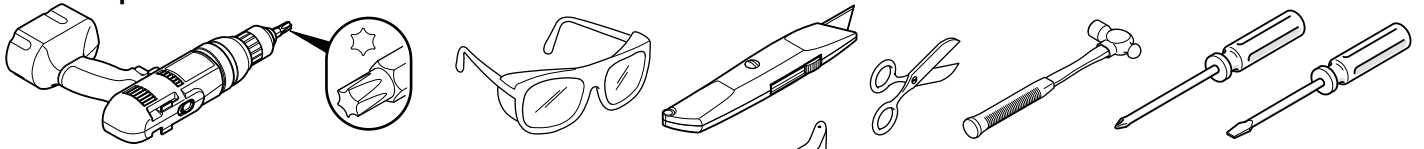




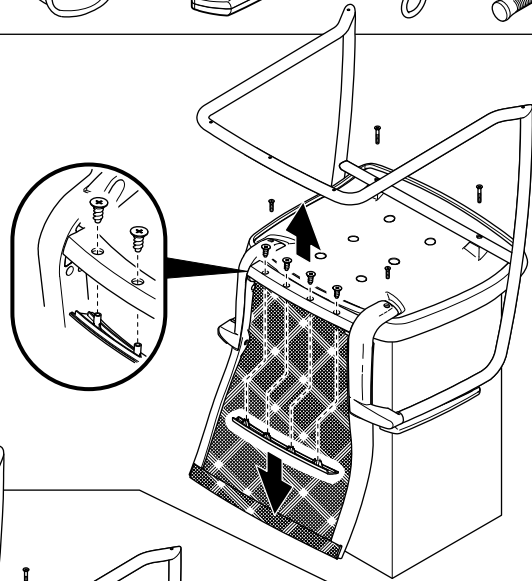
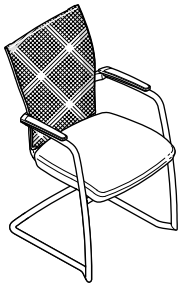
X99®

Guest Chair Disassembly & Recycling Instructions

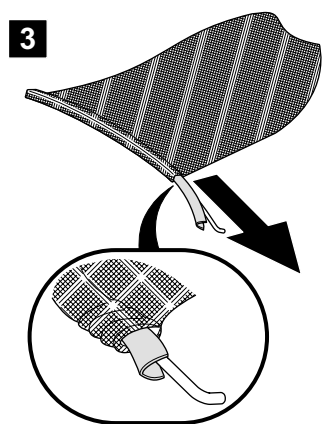
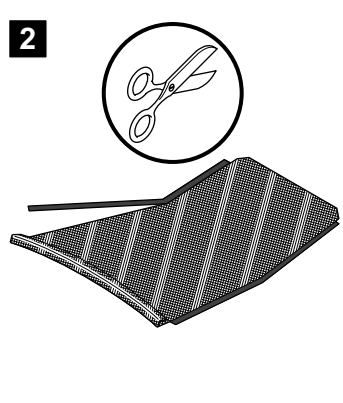
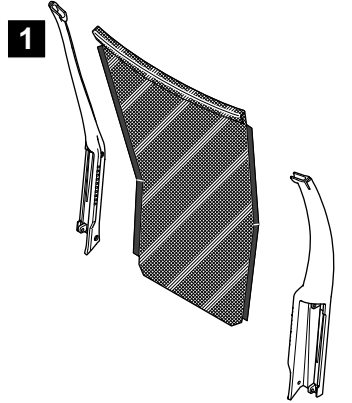
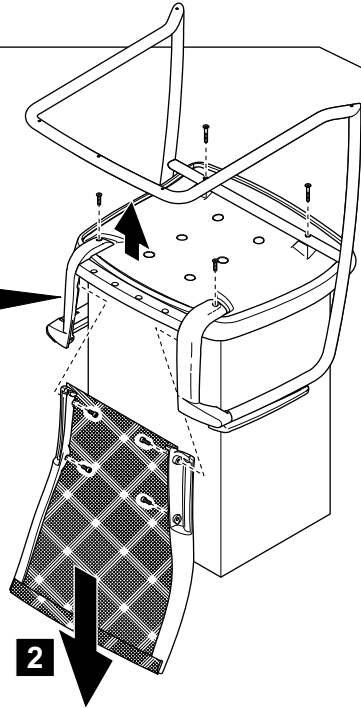
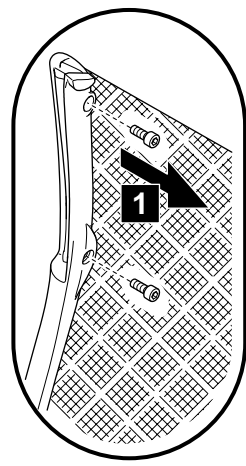
Tools Required



1



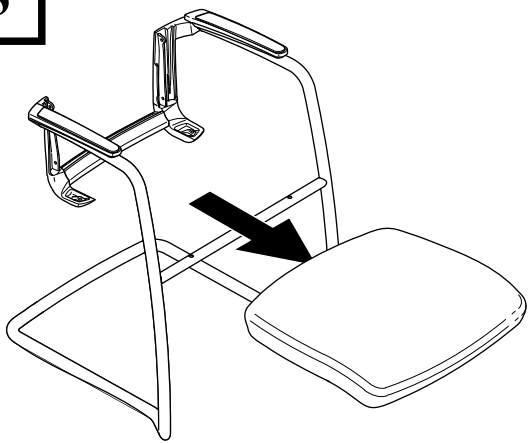
2



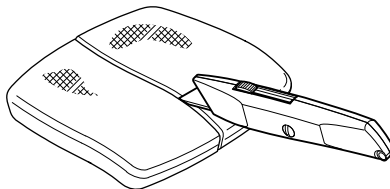
CUSTOMER SERVICE PHONE: 1-800-426-8562

HAWORTH®

3



4

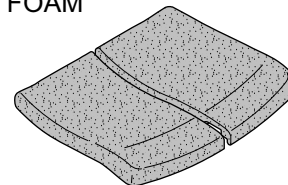


RECYCLE BINS

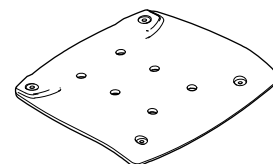
FABRIC



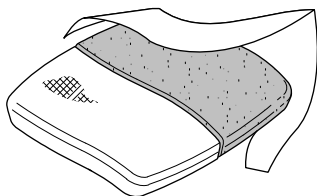
FOAM



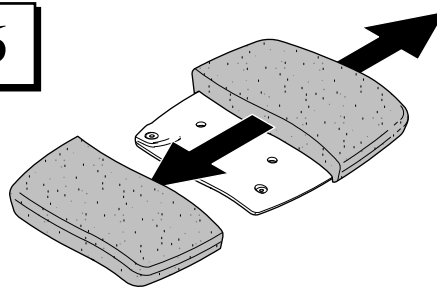
PLASTIC



5

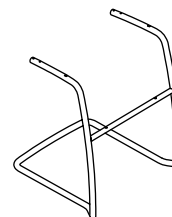
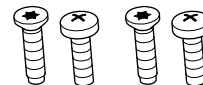


6

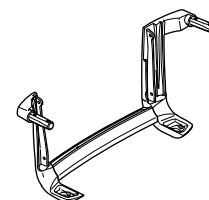


RECYCLE BINS

STEEL



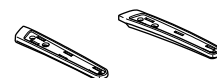
ALUMINUM



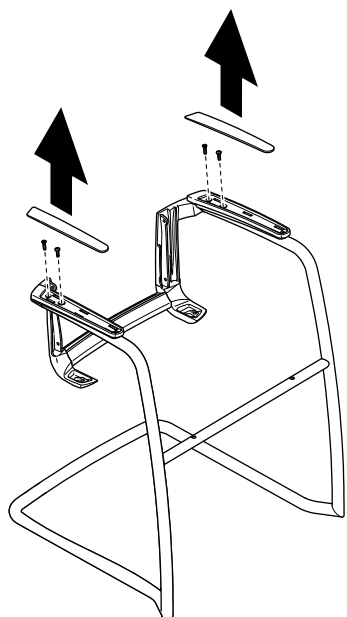
RUBBER



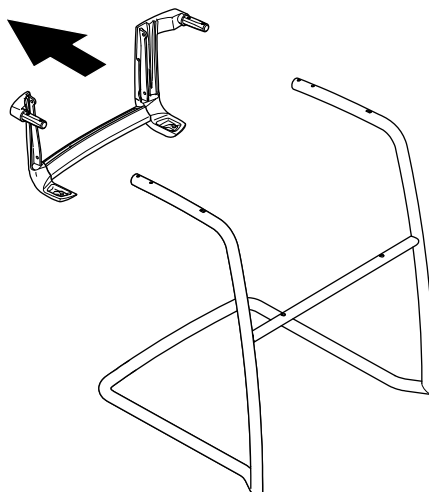
PLASTIC



7



8



CUSTOMER SERVICE PHONE: 1-800-426-8562

HAWORTH®