

Compose® Storage

GSA Price List / Specification Guide – July 2019



This price list is based upon Haworth's April 2019 commercial pricing.

GENERAL SERVICES ADMINISTRATION FEDERAL SUPPLY SERVICE
 Authorized Federal Supply Scheduled Price List
 (Catalog) Office Furniture, Wood Caseworks and Tables
 (FSC Group 71, Part I, FSC Classes 7105, 7110, 7125 and 7195)

Contract No: GS-03F-057DA

Contract Period: February 8, 2016 – February 7, 2021

Contractor: Haworth, Inc. | One Haworth Center
 Holland, MI 49423-9576 | 1.616.393.3000

Business: Large

This Haworth North American price book contains US list prices.



Canadian customers can convert the US list price into their Canadian equivalent by going to www.Haworth.com/Canada to find the current Canadian multipliers. These multiplier factors allow you to convert the US list price into a Canadian list price.

HAWORTH, INC.
GENERAL SERVICES ADMINISTRATION
FEDERAL ACQUISITION SERVICES

Authorized Federal Supply Schedule
Furniture
(FSC Group 71, FSC Classes 7105, 7110, 7125 and 7195)

Contract Number: GS-03F-057DA
Contract Start Date: February 8, 2016
Contract End Date: February 7, 2021
Contractor: HAWORTH, INC.
One Haworth Center
Holland, MI 49423-9576
1-616-393-3000
<http://www.haworth.com/government>
Business Size: Large

Information for Ordering Activities
I-FSS-600

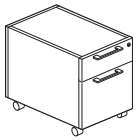
Online access to Haworth's Authorized Federal Supply Schedule contract ordering information, terms and conditions, and up-to-date product and discount listing can be found at GSA Advantage, eLibrary link [here](#).

Table of Contents

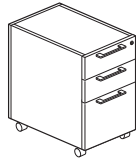
Statement of Line	5-7
Pedestals and Accessories	
Mobile Pedestals	8
Pedestals	10
Pedestal Cushion	12
Pencil Tray	12
Storage-to-Panel Bracket	12
Lateral Files and Accessories	
Lateral Files	13
Open Shelf Lateral File	16
Combination Unit	18
File/Storage Cushion	20
Storage-to-Panel Bracket	20
Lateral File Hanging Bar	20
Storage Tops	
Individual/Common Storage Tops	21
Continuous Storage Tops	22
Off-modular Storage Tops	23
Storage	
Storage Unit with Doors	24
Storage Unit without Doors	26
Personal Storage Tower with Side Bookcase	29
Personal Storage Tower with Wardrobe	33
Wardrobes	36
Stack-on Storage	38
Finished Back	40
Worksurface Support Panel	
Worksurface Support Panel	41
Worksurface Support End	42
One-high Worksurface Support End	43
Finishes and Fabrics	
Finish/Color Legend	117
Fabrics/Color Legend	118-119
Index	124
Lifetime Product Warranty	Inside Back Cover

Statement of Line

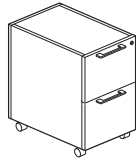
Mobile Pedestals — pages 8-9



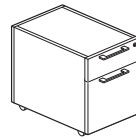
BZMA-CLN
Exposed Caster Base
Box/File Pedestal



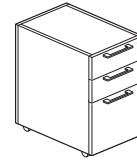
BZMH-CLN
Exposed Caster Base
Box/Box/File Pedestal



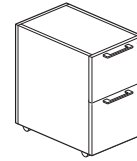
BZMJ-CLN
Exposed Caster Base
File/File Pedestal



BZMA-GLN
Side Panel Caster Base
Box/File Pedestal

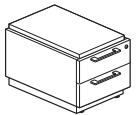


BZMH-GLN
Side Panel Caster Base
Box/Box/File Pedestal

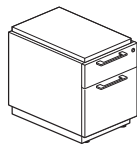


BZMJ-GLN
Side Panel Caster Base
File/File Pedestal

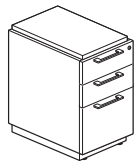
Stationary Pedestals — pages 10-11



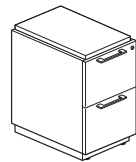
BZPX
Box/Box Pedestal



BZPA
Box/File Pedestal

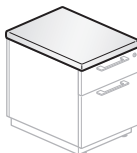


BZPH
Box/Box/File Pedestal

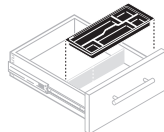


BZPJ
File/File Pedestal

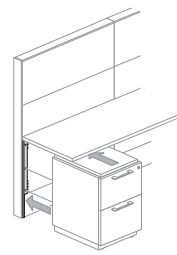
Pedestals Accessories — page 12



BZSC-F
Pedestal Cushion

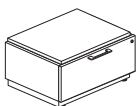


JPTA-6
Pencil Tray

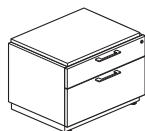


BZBG
Storage-to-Panel Bracket

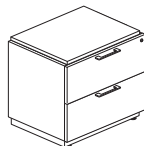
Lateral File — pages 13-15



BZL1
1H Lateral File



BZLA
1.5H Lateral File

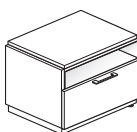


BZL2
2H Lateral File

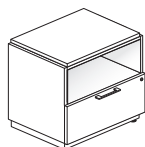


BZL3
3H Lateral File

Open Shelf Lateral File — pages 16-17

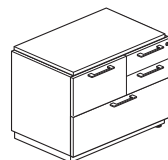


BZLV
1.5H Open Shelf Lateral
File

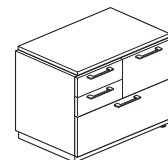


BZLZ
2H Open Shelf Lateral File

Combination Unit — pages 18-19



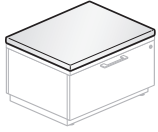
BZLC
Right Hand Combination
Unit



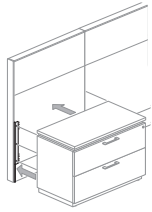
BZLB
Left Hand Combination
Unit

Statement of Line

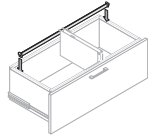
Lateral File/Storage Accessories — page 20



BZSC-F
File/Storage Cushion



BZBG
Storage-to-Panel Bracket

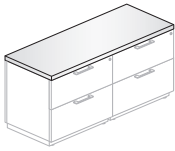


BZAH
Lateral File Hanging Bar

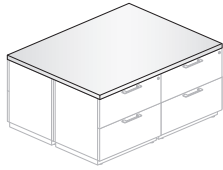
Storage Tops — pages 21-23



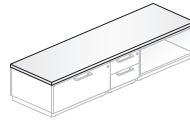
BZTR
Individual/Common



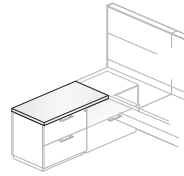
BZTR
Individual/Common



BZTR
Individual/Common

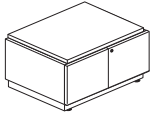


BZTB
Continuous

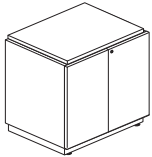


BZTM
Off-Modular

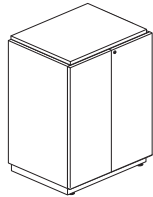
Storage Unit with and without Doors — pages 24-27



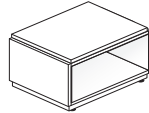
BZSS-WW1T
1H Storage Unit with
Doors



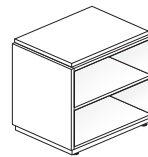
BZSS-WW2T
2H Storage Unit with
Doors



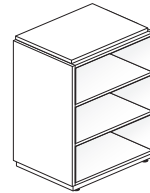
BZSS-WW3T
3H Storage Unit with
Doors



BZSN-WN1N
1H Storage Unit without
Doors

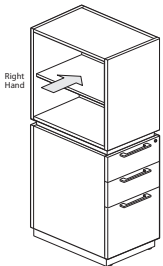


BZSN-WN2N
2H Storage Unit without
Doors

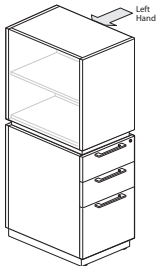


BZSN-WN3N
3H Storage Unit without
Doors

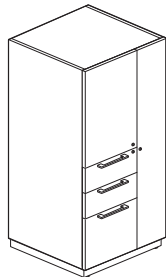
Personal Storage Tower — pages 29-35



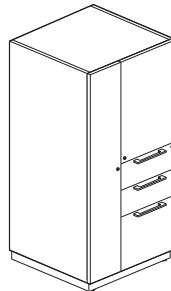
BZRH-LQR
Side Bookcase - Right Hand



BZRH-LQL
Side Bookcase - Left Hand



BZVH-NR
Wardrobe - Right Hand

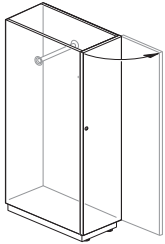


BZVH-NL
Wardrobe - Left Hand

Statement of Line

Wardrobes — pages 36-37

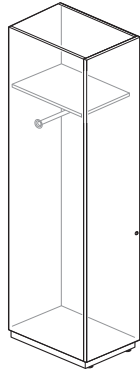
Stack-on Storage — pages 38-39



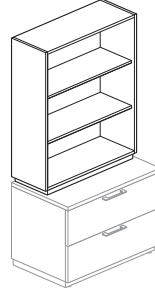
BZWK-LNR
Locking Right Hand Swing
Wardrobe



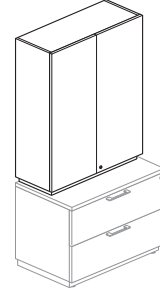
BZWK-LNL
Locking Left Hand Swing
Wardrobe



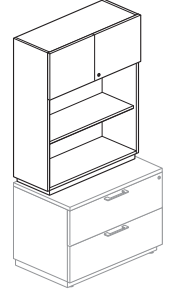
BZWK-LNL
Locking Left Hand Swing
Wardrobe



BZDL-WNNNSNN
Without Doors Stack-on
Storage



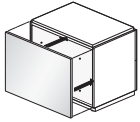
BZKL-WWFOTSLN
Full Height Doors Stack-on
Storage



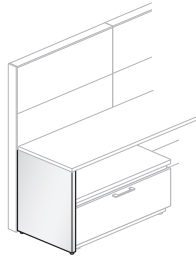
BZKL-WWPTSLN
Partial Doors on Top
Stack-on Storage

Finished Back — page 40

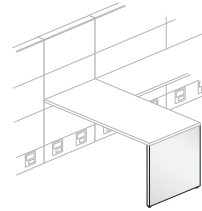
Worksurface Support — pages 41-43



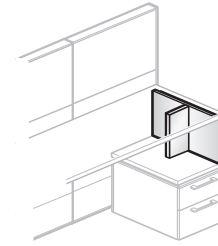
BZAB
Finished Back



ZZFS
Panel

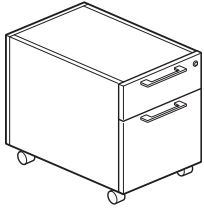


ZUFS
End

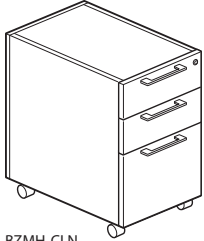


BZHU
End

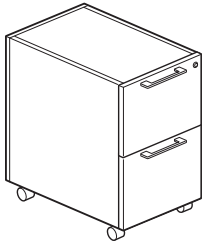
Mobile Pedestals



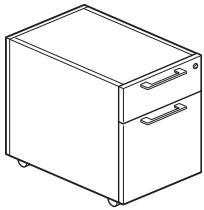
BZMA-CLN



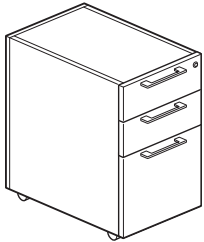
BZMH-CLN



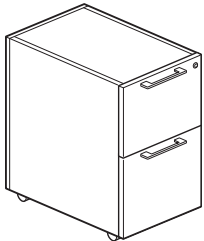
BZMJ-CLN



BZMA-GLN



BZMH-GLN



BZMJ-GLN

Features

- Mobile Pedestals include:
 - Drawer pull options.
 - Exposed caster base or side panel base with casters options.
 - Wood English dovetailed Baltic Birch or black miterfold drawer interiors.
- Available on:
 - Laminate case with back and laminate drawer fronts. Laminate case edgeband matches laminate drawer front edgeband.
 - Wood case standard with finished case, back and wood drawer fronts. Wood drawer front edge banding matches wood drawer fronts.
- Box drawers include one black plastic divider each.
- One black plastic pencil tray included with Box/File or Box/Box/File pedestal.
- File drawer includes integrated file hanging system for letter front-to-back filing.
- All drawers have full extension slides.
- Standard with lock; lock plugs available in chrome or black.
- For lock options, refer to Lock Program Price List.
- Drawer Options;
 - Black miterfold (B).
 - Wood English dovetailed Baltic Birch (W).
- Drawer Pull Options:
 - Crescent (7), Linear (8) and Classic (9) pulls standard in Brushed Nickel finish (no specification required).
 - Patterns (6) pull standard in Anodized Aluminum finish (no specification required).
 - Wood Finger Pull (F) is same wood/finish specified on case (Group B only).
 - Integrated Aluminum J-Pull (K); aluminum finger pull requires trim color.
- Base Options:
 - Exposed Caster Base (C); includes two front locking swivel casters and two rear non-locking swivel casters.
 - Side Panel Base (G); includes four non-locking swivel casters; sides/front extend to floor visually hiding casters.
- Casters are standard in black and not height adjustable.
- Standard with installed counterweight.
- Case ships partially assembled, finished back and casters field installed.

Specification Tips

- Mobile pedestal back and top are finished and intended for visual exposure.
- Cushion may be separately specified; recommended for use with a box/file pedestal.
- Refer to Specification Guide for planning information.

To Order, Specify:

1) Product number, including:

1 Case Options:

LL Laminate

WW Wood

2 Drawer Options:

B Black Miterfold

W Wood

Box/File, add **\$92.62** list.
Box/Box/File, add **\$92.62** list.
File/File, add **\$92.62** list.

3 Pull Options:

6 Patterns

7 Crescent

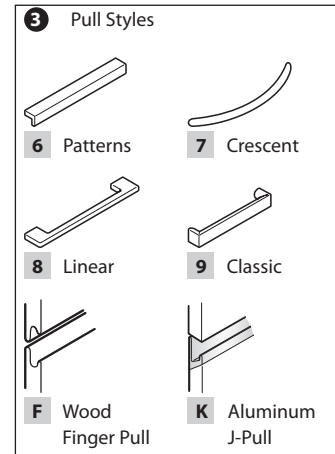
8 Linear

9 Classic

F Wood Finger Pull (Group B only)

K Aluminum J-Pull

- 2) Case wood finish or laminate surface color.
- 3) Lock plug trim color.
- 4) Aluminum J-Pull trim color, if applicable.
- 5) Laminate case edge trim color, if applicable.

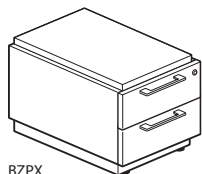


Mobile Pedestals

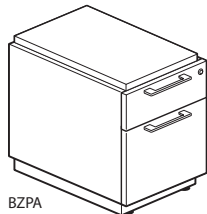
Actual Height	Actual Depth	Actual Width	Description	Pull	Number	①	②	③	Laminate A	B	Wood Group A	Group B
Exposed Caster Base												
20.2"(513mm)	17.68"(449mm)	15.5"(394mm)	Box/File	7,8,9	BZMA-1816-			CLN	\$1242.74	\$1290.97	\$1779.70	\$1836.22
					K	BZMA-1816-		KCLN	1398.63	1446.86	1935.59	1992.11
					F	BZMA-1816-WW		FCLN	N/A	N/A	N/A	1836.22
					6	BZMA-1816-		6CLN	1374.65	1422.88	1911.61	1968.13
20.2"(513mm)	23.68"(601mm)	15.5"(394mm)	Box/File	7,8,9	BZMA-2416-			CLN	\$1272.71	\$1320.94	\$1809.67	\$1866.19
					K	BZMA-2416-		KCLN	1428.60	1476.83	1965.56	2022.08
					F	BZMA-2416-WW		FCLN	N/A	N/A	N/A	1866.19
					6	BZMA-2416-		6CLN	1404.62	1452.85	1941.58	1998.10
26.2"(665mm)	17.68"(449mm)	15.5"(394mm)	Box/Box/File	7,8,9	BZMH-1816-			CLN	\$1380.94	\$1440.26	\$1975.39	\$2043.66
					K	BZMH-1816-		KCLN	1614.78	1674.10	2209.23	2277.50
					F	BZMH-1816-WW		FCLN	N/A	N/A	N/A	2043.66
					6	BZMH-1816-		6CLN	1578.80	1638.12	2173.25	2241.52
26.2"(665mm)	23.68"(601mm)	15.5"(394mm)	Box/Box/File	7,8,9	BZMH-2416-			CLN	\$1412.11	\$1471.43	\$2033.46	\$2103.36
					K	BZMH-2416-		KCLN	1645.95	1705.27	2267.30	2337.20
					F	BZMH-2416-WW		FCLN	N/A	N/A	N/A	2103.36
					6	BZMH-2416-		6CLN	1609.97	1669.29	2231.32	2301.22
26.2"(665mm)	17.68"(449mm)	15.5"(394mm)	File/File	7,8,9	BZMJ-1816-			CLN	\$1298.99	\$1351.75	\$1857.96	\$1919.20
					K	BZMJ-1816-		KCLN	1454.88	1507.64	2013.85	2075.09
					F	BZMJ-1816-WW		FCLN	N/A	N/A	N/A	1919.20
					6	BZMJ-1816-		6CLN	1430.90	1483.66	1989.87	2051.11
26.2"(665mm)	23.68"(601mm)	15.5"(394mm)	File/File	7,8,9	BZMJ-2416-			CLN	\$1327.11	\$1379.87	\$1911.77	\$1974.54
					K	BZMJ-2416-		KCLN	1483.00	1535.76	2067.66	2130.43
					F	BZMJ-2416-WW		FCLN	N/A	N/A	N/A	1974.54
					6	BZMJ-2416-		6CLN	1459.02	1511.78	2043.68	2106.45
Side Panel Caster Base												
20.9"(531mm)	17.68"(449mm)	15.5"(394mm)	Box/File	7,8,9	BZMA-1816-			GLN	\$1242.74	\$1290.97	\$1779.70	\$1836.22
					K	BZMA-1816-		KGLN	1398.63	1446.86	1935.59	1992.11
					F	BZMA-1816-WW		FGLN	N/A	N/A	N/A	1836.22
					6	BZMA-1816-		6GLN	1374.65	1422.88	1911.61	1968.13
20.9"(531mm)	23.68"(601mm)	15.5"(394mm)	Box/File	7,8,9	BZMA-2416-			GLN	\$1272.71	\$1320.94	\$1809.67	\$1866.19
					K	BZMA-2416-		KGLN	1428.60	1476.83	1965.56	2022.08
					F	BZMA-2416-WW		FGLN	N/A	N/A	N/A	1866.19
					6	BZMA-2416-		6GLN	1404.62	1452.85	1941.58	1998.10
26.9"(683mm)	17.68"(449mm)	15.5"(394mm)	Box/Box/File	7,8,9	BZMH-1816-			GLN	\$1380.94	\$1440.26	\$1975.39	\$2043.66
					K	BZMH-1816-		KGLN	1614.78	1674.10	2209.23	2277.50
					F	BZMH-1816-WW		FGLN	N/A	N/A	N/A	2043.66
					6	BZMH-1816-		6GLN	1578.80	1638.12	2173.25	2241.52
26.9"(683mm)	23.68"(601mm)	15.5"(394mm)	Box/Box/File	7,8,9	BZMH-2416-			GLN	\$1412.11	\$1471.43	\$2033.46	\$2103.36
					K	BZMH-2416-		KGLN	1645.95	1705.27	2267.30	2337.20
					F	BZMH-2416-WW		FGLN	N/A	N/A	N/A	2103.36
					6	BZMH-2416-		6GLN	1609.97	1669.29	2231.32	2301.22
26.9"(683mm)	17.68"(449mm)	15.5"(394mm)	File/File	7,8,9	BZMJ-1816-			GLN	\$1298.99	\$1351.75	\$1857.96	\$1919.20
					K	BZMJ-1816-		KGLN	1454.88	1507.64	2013.85	2075.09
					F	BZMJ-1816-WW		FGLN	N/A	N/A	N/A	1919.20
					6	BZMJ-1816-		6GLN	1430.90	1483.66	1989.87	2051.11
26.9"(683mm)	23.68"(601mm)	15.5"(394mm)	File/File	7,8,9	BZMJ-2416-			GLN	\$1327.11	\$1379.87	\$1911.77	\$1974.54
					K	BZMJ-2416-		KGLN	1483.00	1535.76	2067.66	2130.43
					F	BZMJ-2416-WW		FGLN	N/A	N/A	N/A	1974.54
					6	BZMJ-2416-		6GLN	1459.02	1511.78	2043.68	2106.45

Wood finger pull (F) (Group B only).

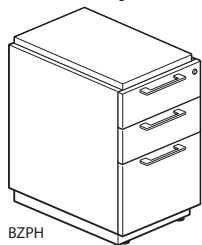
Pedestals



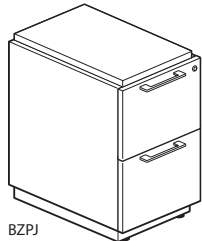
BZPX



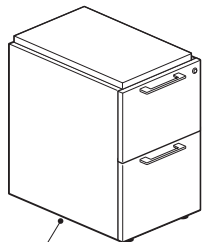
BZPA



BZPH

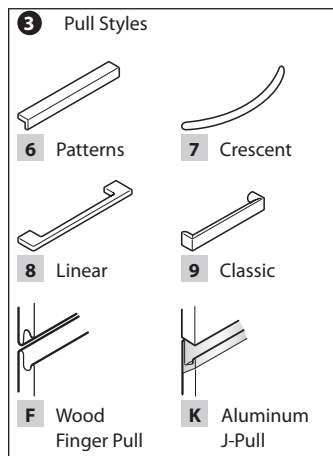


BZPJ



Side Panel Base

Note: Graphics shown with solid spacer.



Features

- Pedestals include:
 - Attachment hardware when applicable.
 - Base or leg and drawer pull options.
 - Floating spacer option has a finished top.
 - Solid spacer option has an unfinished top.
 - Matched veneer drawer fronts.
 - Wood English dovetailed Baltic Birch or black miterfold drawer interiors.
- Available on:
 - Laminate case with back and laminate drawer fronts. Laminate case edgeband matches laminate drawer front edgeband.
 - Wood case standard with finished case, back and wood drawer fronts. Wood drawer front edge banding matches wood drawer fronts.
- Box drawers include one black plastic divider each.
- One black plastic pencil tray included with Box/Box, Box/File or Box/Box/File pedestal.
- File drawer includes integrated file hanging system for letter front-to-back filing.
- All drawers have full extension slides.
- Standard with lock; lock plugs available in chrome or black.
- For lock options, refer to Lock Program Price List.
- Drawer Options;
 - Black miterfold (B).
 - Wood English dovetailed Baltic Birch (W).
- Drawer Pull Options:
 - Crescent (7), Linear (8) and Classic (9) pulls standard in Brushed Nickel finish (no specification required).
 - Patterns (6) pull standard in Anodized Aluminum finish (no specification required).
 - Wood Finger Pull (F) is same wood/finish specified on case (Group B only).
 - Integrated Aluminum J Pull (K); aluminum finger pull requires trim color.
- Base/Leg Options:
 - Side Panel Base (E); sides/front extend to floor; side panels are part of case
 - Plinth Base with wood edge (Q); requires wood edge finish.
 - Plinth Base with plastic edge (L); requires edge trim color
 - Chamfer Leg (P); requires trim color.
- Glide height adjustment ranges:
 - Chamfer leg - 1.25”(32mm)
 - Side Panel Base/Plinth Base - 2”(51mm)
- Spacer Options:
 - Floating Spacer (F); requires trim color (finished top).
 - Solid Spacer with wood edge (Q); requires wood finish (unfinished top).
 - Solid Spacer with plastic edge (L); requires edge trim color (unfinished top).
 - No Spacer (U); no surface specification required (unfinished top).
 - No Spacer (N); no surface specification required (finished top)
- Counterweight Option: (18” depth only)
 - Yes, counterweight is factory installed.
 - No, no counterweight.
- Floating and solid spacers are 1.19”(30mm)high.
- Case (with/without optional Counterweight) ships assembled; Spacers and Plinth Base/Legs require field installation.

Specification Tips

- Finished Back is separately specified when pedestal back is exposed.
- Two-high box/box/file or file/file pedestal requires a solid or floating spacer for a 29”(737mm) high Adaptable worksurface application.
- For panel mounted applications; separately specify appropriate attachment brackets for support and load purposes.
- Pedestals:
 - with solid spacer are not intended for use with a knife edge Adaptable worksurface due to dimensional differences.
 - without spacer with finished or unfinished top may be used in a slip fit or nested Adaptable worksurface application.
 - without spacer are for use with edgeband Adaptable worksurface only; not intended for use with cascade or knife edges due to dimensional differences.
 - are not designed for use with T-Mold Adaptable worksurfaces.
 - 24”/30”(610-762mm) depth do not require counterweight.

Specification Tips, cont.

- Counterweight: (18”(457mm) depth only)
 - may be used in pedestals with or without a separately specified finished back.
 - is required in a freestanding two-high box/box/file or file/file pedestal
 - is not required in pedestals attached to an Adaptable worksurface.
 - is not required for a one high box/box pedestal.
- Cushion may be separately specified for a freestanding pedestal; recommended for use with a one-high box/box pedestal.
- Refer to Pedestal Cushion page for planning information.

To Order, Specify:

1) Product number, including:

1 Case Options:

- LL** Laminate
- WW** Wood

2 Drawer Options:

- B** Black Miterfold
- W** Wood
- Box/Box and Box/File, add **\$92.62** list.
- Box/Box/File, add **\$92.62** list.
- File/File, add **\$92.62** list.

3 Pull Options:

- 6** Patterns
- 7** Crescent
- 8** Linear
- 9** Classic
- F** Wood Finger Pull (Group B only)
- K** Aluminum J-Pull

4 Base/Leg Options:

- E** Side Panel Base
- Q** Plinth Base/Wood Edge, add **\$206.72** list.
- L** Plinth Base/Plastic Edge, add **\$177.36** list.
- P** Chamfer Leg, add **\$97.84** list.

5 Spacer Options:

- F** Floating Spacer/finished top: 18”(457mm) deep, add **\$137.91** list.
- 24”(610mm) deep, add **\$152.30** list.
- 30”(762mm) deep, add **\$161.90** list.
- Q** Solid Spacer/Wood Edge/unfinished top, add **\$173.83** list.
- L** Solid Spacer/Plastic Edge/unfinished top, add **\$110.32** list.
- U** No Spacer/unfinished top.
- N** No Spacer/finished top.

6 Counterweight Option (18” depth only):

- Y** Yes, add **\$59.94** list.
- N** No

- 2) Case wood finish or laminate surface color.
- 3) Base/Leg trim color.
Side Panel Base (E) - (No finish specification.)
Plinth Base (Q) - Wood edge finish.
Plinth Base (L) - Edge trim color.
Chamfer (P) - Trim color.
- 4) Spacer trim color.
Floating Spacer (F) - Trim color.
Solid Spacer (Q) - Wood Finish.
Solid Spacer (L) - Edge trim color.
- 5) Lock plug trim color.
- 6) Aluminum J-Pull trim color, if applicable.
- 7) Laminate case trim color, if applicable.

Pedestals

Height No Spacer	Actual Height W/Spacer	Actual Depth Inset Back*	Actual Width	Description	Pull	Number	①②③④⑤⑥						Laminate		Wood	
							A	B	Group A	Group B						
14.8" (376mm)	16.0" (406mm)	16.93" (430mm)	15.5" (394mm)	Box/Box	7,8,9	BZPX-1816- <input type="checkbox"/> <input type="checkbox"/> <input type="checkbox"/> <input type="checkbox"/> <input type="checkbox"/> <input type="checkbox"/> L <input type="checkbox"/> <input type="checkbox"/>	\$ 847.64	\$ 892.06	\$1214.59	\$1266.86						
						K BZPX-1816- <input type="checkbox"/> <input type="checkbox"/> <input type="checkbox"/> <input type="checkbox"/> K <input type="checkbox"/> L <input type="checkbox"/> <input type="checkbox"/>	1003.53	1047.95	1370.48	1422.75						
						F BZPX-1816-WW <input type="checkbox"/> <input type="checkbox"/> <input type="checkbox"/> F <input type="checkbox"/> L <input type="checkbox"/> <input type="checkbox"/>	N/A	N/A	N/A	1266.86						
						6 BZPX-1816- <input type="checkbox"/> <input type="checkbox"/> <input type="checkbox"/> 6 <input type="checkbox"/> L <input type="checkbox"/> <input type="checkbox"/>	979.55	1023.97	1346.50	1398.77						
14.8" (376mm)	16.0" (406mm)	22.93" (582mm)	15.5" (394mm)	Box/Box	7,8,9	BZPX-2416- <input type="checkbox"/> <input type="checkbox"/> <input type="checkbox"/> <input type="checkbox"/> <input type="checkbox"/> L <input type="checkbox"/> N	\$ 877.61	\$ 922.03	\$1244.56	\$1296.83						
						K BZPX-2416- <input type="checkbox"/> <input type="checkbox"/> <input type="checkbox"/> <input type="checkbox"/> K <input type="checkbox"/> L <input type="checkbox"/> N	1033.50	1077.92	1400.45	1452.72						
						F BZPX-2416-WW <input type="checkbox"/> <input type="checkbox"/> <input type="checkbox"/> F <input type="checkbox"/> L <input type="checkbox"/> N	N/A	N/A	N/A	1296.83						
						6 BZPX-2416- <input type="checkbox"/> <input type="checkbox"/> <input type="checkbox"/> 6 <input type="checkbox"/> L <input type="checkbox"/> N	1009.52	1053.94	1376.47	1428.74						
20.9" (531mm)	22.0" (559mm)	16.93" (430mm)	15.5" (394mm)	Box/File	7,8,9	BZPA-1816- <input type="checkbox"/> <input type="checkbox"/> <input type="checkbox"/> <input type="checkbox"/> <input type="checkbox"/> L <input type="checkbox"/> <input type="checkbox"/>	\$ 895.36	\$ 943.59	\$1285.54	\$1342.06						
						K BZPA-1816- <input type="checkbox"/> <input type="checkbox"/> <input type="checkbox"/> <input type="checkbox"/> K <input type="checkbox"/> L <input type="checkbox"/> <input type="checkbox"/>	1051.25	1099.48	1441.43	1497.95						
						F BZPA-1816-WW <input type="checkbox"/> <input type="checkbox"/> <input type="checkbox"/> F <input type="checkbox"/> L <input type="checkbox"/> <input type="checkbox"/>	N/A	N/A	N/A	1342.06						
						6 BZPA-1816- <input type="checkbox"/> <input type="checkbox"/> <input type="checkbox"/> 6 <input type="checkbox"/> L <input type="checkbox"/> <input type="checkbox"/>	1027.27	1075.50	1417.45	1473.97						
20.9" (531mm)	22.0" (559mm)	22.93" (582mm)	15.5" (394mm)	Box/File	7,8,9	BZPA-2416- <input type="checkbox"/> <input type="checkbox"/> <input type="checkbox"/> <input type="checkbox"/> <input type="checkbox"/> L <input type="checkbox"/> N	\$ 925.33	\$ 973.56	\$1315.51	\$1372.03						
						K BZPA-2416- <input type="checkbox"/> <input type="checkbox"/> <input type="checkbox"/> <input type="checkbox"/> K <input type="checkbox"/> L <input type="checkbox"/> N	1081.22	1129.45	1471.40	1527.92						
						F BZPA-2416-WW <input type="checkbox"/> <input type="checkbox"/> <input type="checkbox"/> F <input type="checkbox"/> L <input type="checkbox"/> N	N/A	N/A	N/A	1372.03						
						6 BZPA-2416- <input type="checkbox"/> <input type="checkbox"/> <input type="checkbox"/> 6 <input type="checkbox"/> L <input type="checkbox"/> N	1057.24	1105.47	1447.42	1503.94						
26.9" (683mm)	28.1" (714mm)	16.93" (430mm)	15.5" (394mm)	Box/Box/File	7,8,9	BZPH-1816- <input type="checkbox"/> <input type="checkbox"/> <input type="checkbox"/> <input type="checkbox"/> <input type="checkbox"/> L <input type="checkbox"/> <input type="checkbox"/>	\$1033.56	\$1092.88	\$1481.23	\$1549.50						
						K BZPH-1816- <input type="checkbox"/> <input type="checkbox"/> <input type="checkbox"/> <input type="checkbox"/> K <input type="checkbox"/> L <input type="checkbox"/> <input type="checkbox"/>	1267.40	1326.72	1715.07	1783.34						
						F BZPH-1816-WW <input type="checkbox"/> <input type="checkbox"/> <input type="checkbox"/> F <input type="checkbox"/> L <input type="checkbox"/> <input type="checkbox"/>	N/A	N/A	N/A	1549.50						
						6 BZPH-1816- <input type="checkbox"/> <input type="checkbox"/> <input type="checkbox"/> 6 <input type="checkbox"/> L <input type="checkbox"/> <input type="checkbox"/>	1231.42	1290.74	1679.09	1747.36						
26.9" (683mm)	28.1" (714mm)	22.93" (582mm)	15.5" (394mm)	Box/Box/File	7,8,9	BZPH-2416- <input type="checkbox"/> <input type="checkbox"/> <input type="checkbox"/> <input type="checkbox"/> <input type="checkbox"/> L <input type="checkbox"/> N	\$1064.73	\$1124.05	\$1539.30	\$1609.20						
						K BZPH-2416- <input type="checkbox"/> <input type="checkbox"/> <input type="checkbox"/> <input type="checkbox"/> K <input type="checkbox"/> L <input type="checkbox"/> N	1298.57	1357.89	1773.14	1843.04						
						F BZPH-2416-WW <input type="checkbox"/> <input type="checkbox"/> <input type="checkbox"/> F <input type="checkbox"/> L <input type="checkbox"/> N	N/A	N/A	N/A	1609.20						
						6 BZPH-2416- <input type="checkbox"/> <input type="checkbox"/> <input type="checkbox"/> 6 <input type="checkbox"/> L <input type="checkbox"/> N	1262.59	1321.91	1737.16	1807.06						
26.9" (683mm)	28.1" (714mm)	28.93" (735mm)	15.5" (394mm)	Box/Box/File	7,8,9	BZPH-3016- <input type="checkbox"/> <input type="checkbox"/> <input type="checkbox"/> <input type="checkbox"/> <input type="checkbox"/> L <input type="checkbox"/> N	\$1095.92	\$1155.24	\$1543.59	\$1611.86						
						K BZPH-3016- <input type="checkbox"/> <input type="checkbox"/> <input type="checkbox"/> <input type="checkbox"/> K <input type="checkbox"/> L <input type="checkbox"/> N	1329.76	1389.08	1777.43	1845.70						
						F BZPH-3016-WW <input type="checkbox"/> <input type="checkbox"/> <input type="checkbox"/> F <input type="checkbox"/> L <input type="checkbox"/> N	N/A	N/A	N/A	1611.86						
						6 BZPH-3016- <input type="checkbox"/> <input type="checkbox"/> <input type="checkbox"/> 6 <input type="checkbox"/> L <input type="checkbox"/> N	1293.78	1353.10	1741.45	1809.72						
26.9" (683mm)	28.1" (714mm)	16.93" (430mm)	15.5" (394mm)	File/File	7,8,9	BZPJ-1816- <input type="checkbox"/> <input type="checkbox"/> <input type="checkbox"/> <input type="checkbox"/> <input type="checkbox"/> L <input type="checkbox"/> <input type="checkbox"/>	\$ 951.61	\$1004.37	\$1363.80	\$1425.04						
						K BZPJ-1816- <input type="checkbox"/> <input type="checkbox"/> <input type="checkbox"/> <input type="checkbox"/> K <input type="checkbox"/> L <input type="checkbox"/> <input type="checkbox"/>	1107.50	1160.26	1519.69	1580.93						
						F BZPJ-1816-WW <input type="checkbox"/> <input type="checkbox"/> <input type="checkbox"/> F <input type="checkbox"/> L <input type="checkbox"/> <input type="checkbox"/>	N/A	N/A	N/A	1425.04						
						6 BZPJ-1816- <input type="checkbox"/> <input type="checkbox"/> <input type="checkbox"/> 6 <input type="checkbox"/> L <input type="checkbox"/> <input type="checkbox"/>	1083.52	1136.28	1495.71	1556.95						
26.9" (683mm)	28.1" (714mm)	22.93" (582mm)	15.5" (394mm)	File/File	7,8,9	BZPJ-2416- <input type="checkbox"/> <input type="checkbox"/> <input type="checkbox"/> <input type="checkbox"/> <input type="checkbox"/> L <input type="checkbox"/> N	\$ 979.73	\$1032.49	\$1417.61	\$1480.38						
						K BZPJ-2416- <input type="checkbox"/> <input type="checkbox"/> <input type="checkbox"/> <input type="checkbox"/> K <input type="checkbox"/> L <input type="checkbox"/> N	1135.62	1188.38	1573.50	1636.27						
						F BZPJ-2416-WW <input type="checkbox"/> <input type="checkbox"/> <input type="checkbox"/> F <input type="checkbox"/> L <input type="checkbox"/> N	N/A	N/A	N/A	1480.38						
						6 BZPJ-2416- <input type="checkbox"/> <input type="checkbox"/> <input type="checkbox"/> 6 <input type="checkbox"/> L <input type="checkbox"/> N	1111.64	1164.40	1549.52	1612.29						
26.9" (683mm)	28.1" (714mm)	28.93" (735mm)	15.5" (394mm)	File/File	7,8,9	BZPJ-3016- <input type="checkbox"/> <input type="checkbox"/> <input type="checkbox"/> <input type="checkbox"/> <input type="checkbox"/> L <input type="checkbox"/> N	\$1007.86	\$1060.62	\$1420.05	\$1481.29						
						K BZPJ-3016- <input type="checkbox"/> <input type="checkbox"/> <input type="checkbox"/> <input type="checkbox"/> K <input type="checkbox"/> L <input type="checkbox"/> N	1163.75	1216.51	1575.94	1637.18						
						F BZPJ-3016-WW <input type="checkbox"/> <input type="checkbox"/> <input type="checkbox"/> F <input type="checkbox"/> L <input type="checkbox"/> N	N/A	N/A	N/A	1481.29						
						6 BZPJ-3016- <input type="checkbox"/> <input type="checkbox"/> <input type="checkbox"/> 6 <input type="checkbox"/> L <input type="checkbox"/> N	1139.77	1192.53	1551.96	1613.20						

*Inset back unfinished.
Wood finger pull (F) (Group B only).

Pedestal Accessories

	Actual Height	Nominal Depth	Actual Width	Number ①	Fabric Grade				
					A	B	C	D	E
Pedestal Cushion	1.25"(32mm)	18"(457mm)	15.5"(394mm)	BZSC-1816-F	\$536.96	\$617.68	\$708.20	\$806.07	\$ 902.68
	1.25"(32mm)	24"(610mm)		BZSC-2416-F	607.91	699.64	791.82	891.40	989.72
	1.25"(32mm)	30"(762mm)		BZSC-3016-F	678.86	781.16	875.44	976.73	1076.76



BZSC-F
Class TA – SIN 711-3;
Discount Group X

Features

- Includes one 1.25"(32mm) thick cushion with removable attachment.
- Pedestal cushions are dimensioned to accommodate units with inset back (S) or separately specified proud finished back (A).
- Field installed.
- COM yardage:
18"(457mm) x 16"(406mm) - 1.1 yards
24"(610mm) x 16"(406mm) - 1.4 yards
30"(762mm) x 16"(406mm) - 1.7 yards

To Order, Specify:

- 1) Product number, including:

① Unit Back Option:

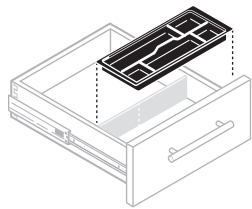
- A Proud Finished Back
- S Inset Unfinished Back

- 2) Fabric and color.

Specification Tips

- For use with Compose mobile or freestanding pedestals.
- Pedestal Cushion:
 - May be used on pedestals with finished or unfinished tops and on top of attached Compose Storage Top.
 - May not be placed directly on top of spacers.
- Not for use with X Series or V Series storage.
- Storage top is not required for use with Pedestal Cushion.
- Refer to Specification Guide for planning information.

	Height	Depth	Width	Number	Price
Pencil Tray	1.25"(32mm)	5.5"(140mm)	12.87"(327mm)	JPTA-6	\$34.14



JPTA-6
Class RA SIN 711-3;
Discount Group IX

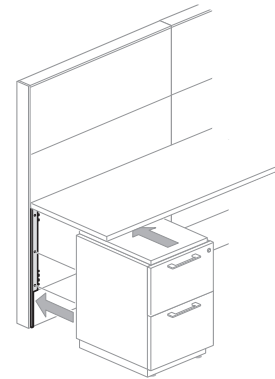
Features

- Includes one black plastic tray.
- Suspends from sides of 6"(152mm) drawer and slides for drawer access.

To Order, Specify:

- 1) Product number.
(No finish specification required.)

Storage-to-Panel Bracket



BZBG
Class TA – SIN 711-3;
Discount Group X

Description	Number	Trim	
		A	B
For use with pedestal/ 2H storage	BZBG-0002	\$101.52	\$107.52
For use with pedestal/ 3H storage/ full height storage	BZBG-0003	101.52	107.52

Features

- Includes one bracket and mounting screws.
- Installs into panel frame attachment slots and attaches to back side of lower storage or full height storage.
- Non-handed.
- **Installation requires field drilling which will deface storage unit or finished back.**

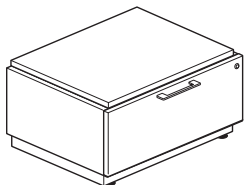
To Order, Specify:

- 1) Product number.
- 2) Trim color.

Specification Tips

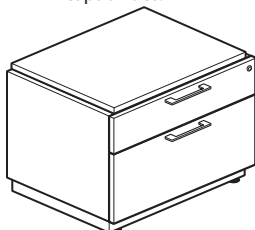
- For use with 2H and 3H storage units and full height storage with Chamfer leg, plinth or side panel bases; height specific product number.
- Worksurface and lower storage unit must be same nominal depth.
- Designed for use with edgeband worksurfaces.
- **Not for use with:**
 - Knife edge worksurfaces
 - X Series or V Series storage
- For use with lower storage with unfinished insert back or separately specified finished proud back.
- Refer to Specification Guide for planning information.

Lateral Files

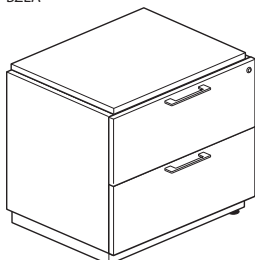


BZL1

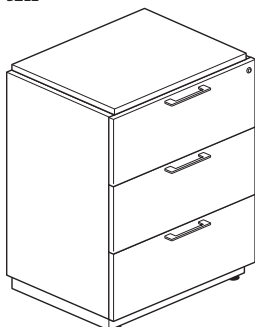
Note: See features for 1H filing capabilities.



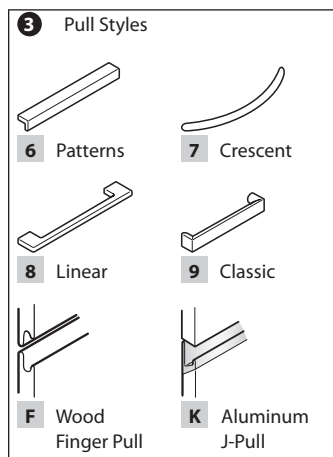
BZLA



BZL2



BZL3



Features

- Lateral Files include:
 - Base or leg and drawer pull options.
 - Floating spacer option has a finished top.
 - Solid spacer option has an unfinished top.
 - Wood English dovetailed Baltic Birch or black miterfold drawer interiors.
- Available on:
 - Laminate case with back and laminate drawer fronts. Laminate case edgeband matches laminate drawer front edgeband.
 - Wood case standard with finished case, back and wood drawer fronts. Wood drawer front edge banding matches wood drawer fronts.
- File drawer includes integrated file hanging system and two file hangar bars per drawer.
 - 18”(457mm) D x 30”(762mm) W: letter front-to-back
 - 18”(457mm) D x 36”(914mm) W: letter/legal front-to-back
 - 24”(610mm) x 30”(762mm) D: letter front-to-back or legal side-to-side
 - 24”(610mm) D x 36”(914mm) W: letter/legal front-to-back or legal side-to-side
- Note - 1H Lateral File will accommodate a Pendaflex file folder without tabs. File drawer will not close if tabs are used.
- All drawers have full extension slides.
- Standard with lock; lock plugs available in chrome or black.
- For lock options, refer to Lock Program Price List.
- Drawer Options;
 - Black miterfold (B)
 - Wood English dovetailed Baltic Birch (W)
- Drawer Pull Options:
 - Crescent (7), Linear (8) and Classic (9) pulls standard in Brushed Nickel finish (no specification required).
 - Patterns (6) pull standard in Anodized Aluminum finish (no specification required).
 - Wood Finger Pull (F) is same wood/finish specified on case (Group B only).
 - Integrated Aluminum J-Pull (K); aluminum finger pull requires trim color.
- Base/Leg Options:
 - Side Panel Base (E); sides/front extend to floor; side panels are part of case.
 - Plinth Base with wood edge (Q); requires wood edge finish.
 - Plinth Base with plastic edge (L); requires edge trim color.
 - Chamfer leg (P); requires trim color.
- Glide height adjustment ranges:
 - Chamfer leg - 1.25”(32mm)
 - Side Panel Base/Plinth Base - 2”(51mm)
- Spacer Options:
 - Floating Spacer (F); requires trim color (finished top).
 - Solid Spacer with wood edge (Q); requires wood finish (unfinished top).
 - Solid Spacer with plastic edge (L); requires edge trim color (unfinished top).
 - No Spacer (U); no surface specification required (unfinished top).
 - No Spacer (N); no surface specification required (finished top).
- Counterweight Option (Not available on 3H Lateral Files):
 - Yes, counterweight is factory installed.
 - No, no counterweight.
- Floating and solid spacers are 1.19”(30mm) high.
- Case (with/without optional Counterweight) ships assembled; Spacers and Plinth Base/Legs require field installation.

Specification Tips

- Finished Back is separately specified when lateral file back is exposed.
- 2H lateral file requires a solid or floating spacer for a 29”(737mm) high Adaptable worksurface application.
- For panel mounted applications; separately specify appropriate attachment brackets for support and load purposes.
- Lateral Files:
 - with solid spacer are not intended for use with a knife edge Adaptable worksurface due to dimensional differences.
 - without spacer with finished or or unfinished top may be used in a slip-fit or nested Adaptable worksurface application.
 - without spacer are for use with edgeband Adaptable worksurface only; not intended for use with knife edge due to dimensional differences.

Specification Tips, cont.

- Counterweight:
 - may be used in lateral files with or without a separately specified finished back.
 - is required in freestanding lateral files.
 - is not needed when two or more units are attached to a Compose Wood Common/ Continuous Storage Top or are ganged together with attachment hardware.
 - is not required in a panel mounted application when lateral file is attached to an Adaptable worksurface.
- Stack-on Storage:
 - may be used with 1H or 2H lateral file
 - lateral file and stack-on to be same width
 - not for use with 3H lateral file
- Cushion may be separately specified; recommended for use with a 1H lateral file.

To Order, Specify:

1) Product number, including:

1 Case Options:

- LL** Laminate
- WW** Wood

2 Drawer Options:

- B** Black Miterfold
- W** Wood
 - 1H, add **\$55.05** list.
 - 1.5H, add **\$84.50** list.
 - 2H, add **\$110.08** list.
 - 3H, add **\$165.13** list.

3 Pull Options:

- 6** Patterns
- 7** Crescent
- 8** Linear
- 9** Classic
- F** Wood Finger Pull (Group B only)
- K** Aluminum J-Pull

4 Base/Leg Options:

- E** Side Panel Base
- Q** Plinth Base/Wood Edge, add **\$329.02** list.
- L** Plinth Base/Plastic Edge, add **\$299.68** list.
- P** Chamfer Leg, add **\$97.84** list.

5 Spacer Options:

- F** Floating Spacer/finished top 18”(457mm) deep, add **\$137.91** list.
24”(610mm) deep, add **\$152.30** list.
- Q** Solid Spacer/Wood Edge/unfinished top, add **\$298.59** list.
- L** Solid Spacer/Plastic Edge/unfinished top, add **\$191.87** list.
- U** No Spacer/unfinished top
- N** No Spacer/finished top

6 Counterweight Option:

- Y** Yes, add **\$59.94** list.
- N** No

- Case wood finish or laminate surface color.
- Base/Leg trim color.
- Side Panel Base (E) - (No finish specification.)
Plinth Base (Q) - Wood edge finish.
Plinth Base (L) - Edge trim color.
Chamfer (P) - Trim color.
- Spacer trim color.
Floating Spacer (F) - Trim color
Solid Spacer (Q) - Wood finish
Solid Spacer (L) - Edge trim color.
- Lock plug trim color.
- Aluminum J-Pull trim color, if applicable.
- Laminate case edge trim color, if applicable.

Lateral Files

Actual Height No Spacer	Actual Height w/Spacer	Actual Depth Inset Back*	Actual Width	Pull	Number	①	②	③	④	⑤	⑥	Laminate A	B	Wood Group A	Group B
1H															
14.8" (376mm)	16.0" (406mm)	16.93" (430mm)	29.88" (759mm)	7,8,9	BZL1-1830-					L		\$1179.11	\$1250.04	\$1580.31	\$1654.52
					K	BZL1-1830-		K	L			1257.05	1327.98	1658.25	1732.46
					F	BZL1-1830-WW	F	L				N/A	N/A	N/A	1654.52
					6	BZL1-1830-		6	L			1245.07	1316.00	1646.27	1720.48
14.8" (376mm)	16.0" (406mm)	16.93" (430mm)	35.88" (911mm)	7,8,9	BZL1-1836-					L		\$1303.87	\$1374.80	\$1734.22	\$1810.17
					K	BZL1-1836-		K	L			1381.81	1452.74	1812.16	1888.11
					F	BZL1-1836-WW	F	L				N/A	N/A	N/A	1810.17
					6	BZL1-1836-		6	L			1369.83	1440.76	1800.18	1876.13
14.8" (376mm)	16.0" (406mm)	22.93" (582mm)	29.88" (759mm)	7,8,9	BZL1-2430-					L		\$1280.67	\$1351.60	\$1691.86	\$1766.67
					K	BZL1-2430-		K	L			1358.61	1429.54	1769.80	1844.61
					F	BZL1-2430-WW	F	L				N/A	N/A	N/A	1766.67
					6	BZL1-2430-		6	L			1346.63	1417.56	1757.82	1832.63
14.8" (376mm)	16.0" (406mm)	22.93" (582mm)	35.88" (911mm)	7,8,9	BZL1-2436-					L		\$1405.43	\$1476.36	\$1845.77	\$1922.32
					K	BZL1-2436-		K	L			1483.37	1554.30	1923.71	2000.26
					F	BZL1-2436-WW	F	L				N/A	N/A	N/A	1922.32
					6	BZL1-2436-		6	L			1471.39	1542.32	1911.73	1988.28
1.5H															
20.9" (531mm)	22.0" (559mm)	16.93" (430mm)	29.88" (759mm)	7,8,9	BZLA-1830-					L		\$1510.60	\$1608.08	\$2029.20	\$2130.35
					K	BZLA-1830-		K	L			1666.49	1763.97	2185.09	2286.24
					F	BZLA-1830-WW	F	L				N/A	N/A	N/A	2130.35
					6	BZLA-1830-		6	L			1642.51	1739.99	2161.11	2262.26
20.9" (531mm)	22.0" (559mm)	16.93" (430mm)	35.88" (911mm)	7,8,9	BZLA-1836-					L		\$1673.15	\$1770.63	\$2231.59	\$2335.14
					K	BZLA-1836-		K	L			1829.04	1926.52	2387.48	2491.03
					F	BZLA-1836-WW	F	L				N/A	N/A	N/A	2335.14
					6	BZLA-1836-		6	L			1805.06	1902.54	2363.50	2467.05
20.9" (531mm)	22.0" (559mm)	22.93" (582mm)	29.88" (759mm)	7,8,9	BZLA-2430-					L		\$1633.29	\$1730.77	\$2163.43	\$2265.27
					K	BZLA-2430-		K	L			1789.18	1886.66	2319.32	2421.16
					F	BZLA-2430-WW	F	L				N/A	N/A	N/A	2265.27
					6	BZLA-2430-		6	L			1765.20	1862.68	2295.34	2397.18
20.9" (531mm)	22.0" (559mm)	22.93" (582mm)	35.88" (911mm)	7,8,9	BZLA-2436-					L		\$1795.84	\$1893.32	\$2365.82	\$2470.06
					K	BZLA-2436-		K	L			1951.73	2049.21	2521.71	2625.95
					F	BZLA-2436-WW	F	L				N/A	N/A	N/A	2470.06
					6	BZLA-2436-		6	L			1927.75	2025.23	2497.73	2601.97
2H															
26.9" (683mm)	28.0" (711mm)	16.93" (430mm)	29.88" (759mm)	7,8,9	BZL2-1830-					L		\$1619.50	\$1716.09	\$2135.67	\$2236.02
					K	BZL2-1830-		K	L			1775.39	1871.98	2291.56	2391.91
					F	BZL2-1830-WW	F	L				N/A	N/A	N/A	2236.02
					6	BZL2-1830-		6	L			1751.41	1848.00	2267.58	2367.93
26.9" (683mm)	28.0" (711mm)	16.93" (430mm)	35.88" (911mm)	7,8,9	BZL2-1836-					L		\$1778.27	\$1874.86	\$2330.90	\$2394.79
					K	BZL2-1836-		K	L			1934.16	2030.75	2486.79	2550.68
					F	BZL2-1836-WW	F	L				N/A	N/A	N/A	2394.79
					6	BZL2-1836-		6	L			1910.18	2006.77	2462.81	2526.70
26.9" (683mm)	28.0" (711mm)	22.93" (582mm)	29.88" (759mm)	7,8,9	BZL2-2430-					L		\$1740.23	\$1836.82	\$2268.87	\$2356.75
					K	BZL2-2430-		K	L			1896.12	1992.71	2424.76	2512.64
					F	BZL2-2430-WW	F	L				N/A	N/A	N/A	2356.75
					6	BZL2-2430-		6	L			1872.14	1968.73	2400.78	2488.66
26.9" (683mm)	28.0" (711mm)	22.93" (582mm)	35.88" (911mm)	7,8,9	BZL2-2436-					L		\$1899.00	\$1995.59	\$2464.10	\$2515.52
					K	BZL2-2436-		K	L			2054.89	2151.48	2619.99	2671.41
					F	BZL2-2436-WW	F	L				N/A	N/A	N/A	2515.52
					6	BZL2-2436-		6	L			2030.91	2127.50	2596.01	2647.43

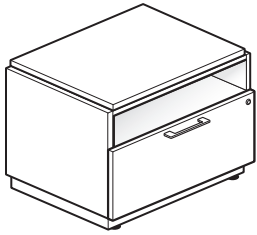
*Inset Back Unfinished
Wood finger pull (F) (Group B only).

Lateral Files

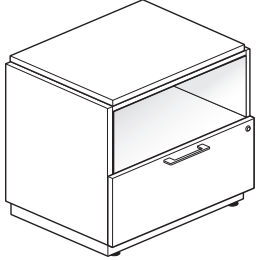
Actual Height No Spacer	Actual Height w/Spacer	Actual Depth Inset Back*	Actual Width	Pull	Number 1 2 3 4 5	Laminate A	B	Wood Group A	Group B
3H									
38.9" (988mm)	40.1" (1019mm)	16.93" (430mm)	29.88" (759mm)	7,8,9	BZL3-1830- [] [] [] [] L N	\$2240.79	\$2396.69	\$2803.45	\$2951.06
				K	BZL3-1830- [] [] K L N	2474.63	2630.53	3037.29	3184.90
				F	BZL3-1830-WW [] [] F L N	N/A	N/A	N/A	2951.06
				6	BZL3-1830- [] [] 6 L N	2438.65	2594.55	3001.31	3148.92
38.9" (988mm)	40.1" (1019mm)	16.93" (430mm)	35.88" (911mm)	7,8,9	BZL3-1836- [] [] [] [] L N	\$2687.85	\$2843.75	\$3277.41	\$3398.12
				K	BZL3-1836- [] [] K L N	2921.69	3077.59	3511.25	3631.96
				F	BZL3-1836-WW [] [] F L N	N/A	N/A	N/A	3398.12
				6	BZL3-1836- [] [] 6 L N	2885.71	3041.61	3475.27	3595.98
38.9" (988mm)	40.1" (1019mm)	22.93" (582mm)	29.88"	7,8,9	BZL3-2430- [] [] [] [] L N	\$2899.95	\$3055.85	\$3478.50	\$3610.22
				K	BZL3-2430- [] [] K L N	3133.79	3289.69	3712.34	3844.06
				F	BZL3-2430-WW [] [] F L N	N/A	N/A	N/A	3610.22
				6	BZL3-2430- [] [] 6 L N	3097.81	3253.71	3676.36	3808.08
38.9" (988mm)	40.1" (1019mm)	22.93" (582mm)	35.88" (911mm)	7,8,9	BZL3-2436- [] [] [] [] L N	\$3347.01	\$3502.91	\$3952.46	\$4057.28
				K	BZL3-2436- [] [] K L N	3580.85	3736.75	4186.30	4291.12
				F	BZL3-2436-WW [] [] F L N	N/A	N/A	N/A	4057.28
				6	BZL3-2436- [] [] 6 L N	3544.87	3700.77	4150.32	4255.14

*Inset Back Unfinished
Wood finger pull (F) (Group B only).

Open Shelf Lateral File

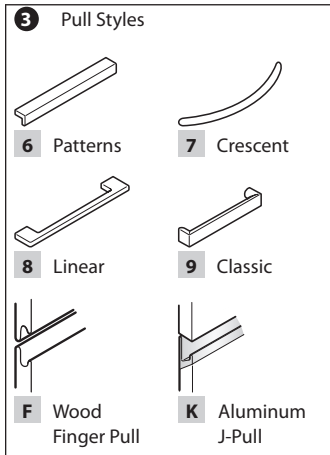


BZLV



BZLZ

Note: Refer to features for file drawer capabilities.



Features

- Open Shelf Lateral Files include:
 - Fixed shelf with finished interior.
 - Base or leg and drawer pull options.
 - Floating spacer option has a finished top.
 - Solid spacer option has an unfinished top.
 - Wood English dovetailed Baltic Birch or black miterfold drawer interior.
- Available on:
 - Laminate case with back and laminate drawer fronts. Laminate case edgeband matches laminate drawer front edgeband.
 - Wood case standard with finished case, back and wood drawer fronts. Wood drawer front edge banding matches wood drawer fronts.
- Open Shelf interior dimensions:
 - 1.5H = 5.3"(135mm) high
 - 2H = 11.3"(287mm) high
 - 30"(762mm) wide = 28.38"(721mm)
 - 36"(914mm) wide = 34.38"(873mm)
- File drawer includes integrated file hanging system and two file hangar bars.
 - 18"(457mm) D x 30"(762mm) W: letter front-to-back
 - 18"(457mm) D x 36"(914mm) W: letter/legal front-to-back
 - 24"(610mm) D x 30"(762mm) W: letter front-to-back or legal side-to-side
 - 24"(610mm) D x 36"(914mm) W: letter/legal front-to-back or legal side-to-side
- Note - The lateral file drawer will accommodate a Pendaflex file folder without tabs. File drawer will not close if tabs are used. Exception: 2H unit with Side Panel Base, option (E), will accommodate tabs.
- All drawers have full extension slides.
- Standard with lock; lock plugs available in chrome or black.
- For lock options, refer to Lock Program Price List.
- Drawer Options:
 - Black miterfold (B)
 - Wood English dovetailed Baltic Birch (W)
- Drawer Pull Options:
 - Crescent (7), Linear (8) and Classic (9) pulls standard in Brushed Nickel finish (no specification required).
 - Patterns (6) pull standard in Anodized Aluminum finish (no specification required).
 - Wood Finger Pull (F) is same wood/finish specified on case (Group B only).
 - Integrated Aluminum J-Pull (K); aluminum finger pull requires trim color.
- Base/Leg Options:
 - Side Panel Base (E); sides/front extend to floor; side panels are part of case.
 - Plinth Base with wood edge (Q); requires wood edge finish.
 - Plinth Base with plastic edge (L); requires edge trim color.
 - Chamfer leg (P); requires trim color.
- Glide height adjustment ranges:
 - Chamfer leg - 1.25"(32mm)
 - Side Panel Base/Plinth Base - 2"(51mm)
- Spacer Options:
 - Floating Spacer (F); requires trim color (finished top).
 - Solid Spacer with wood edge (Q); requires wood finish (unfinished top).
 - Solid Spacer with plastic edge (L); requires edge trim color (unfinished top).
 - No Spacer (U); no surface specification required (unfinished top).
 - No Spacer (N); no surface specification required (finished top).
- Counterweight Option:
 - Yes, counterweight is factory installed.
 - No, no counterweight.
- Floating and solid spacers are 1.19"(30mm) high.
- Case (with/without optional Counterweight) ships assembled; Spacer and Plinth Base/Legs require field installation.

Specification Tips

- Finished Back is separately specified when lateral file back is exposed.
- Open shelf lateral file requires a solid or floating spacer for a 29"(737mm) high Adaptable worksurface.
- For panel mounted applications; separately specify appropriate attachment brackets for support and load purposes.
- Open Shelf Lateral Files:
 - with solid spacer are not intended for use with a knife edge Adaptable worksurface due to dimensional differences
 - without spacer with finished or unfinished top may be used in a slip-fit or nested Adaptable worksurface application
 - without spacer are for use with edgeband Adaptable worksurface only; not intended for use with knife edge due to dimensional differences

Specification Tips, cont.

- Counterweight:
 - may be used in lateral files with or without a separately specified finished back.
 - is required in a freestanding open shelf lateral file.
 - is not needed when two or more units are attached to a Compose Common/Continuous Storage Top or are ganged together with attachment hardware.
 - is not required in a panel mounted application when an open shelf lateral file is attached to an Adaptable worksurface.
- Stack-on Storage:
 - may be used with open shelf lateral file;
 - lateral file and stack-on to be same width.
- Refer to Specification Guide for planning information.

To Order, Specify:

- 1) Product number, including:

1 Case Options:

- LL** Laminate
- WW** Wood

2 Drawer Options:

- B** Black Miterfold
- W** Wood, add **\$56.24** list.

3 Pull Options:

- 6** Patterns
- 7** Crescent
- 8** Linear
- 9** Classic
- F** Wood Finger Pull (Group B only)
- K** Aluminum J-Pull

4 Base/Leg Options:

- E** Side Panel Base
- Q** Plinth Base/Wood Edge, add **\$329.02** list.
- L** Plinth Base/Plastic Edge, add **\$299.68** list.
- P** Chamfer Leg, add **\$97.84** list.

5 Spacer Options:

- F** Floating Spacer/finished top 18"(457mm) deep, add **\$137.91** list.
24"(610mm) deep, add **\$152.30** list.
- Q** Solid Spacer/Wood Edge/unfinished top, add **\$298.59** list.
- L** Solid Spacer/Plastic Edge/unfinished top, add **\$191.87** list.
- U** No Spacer/unfinished top
- N** No Spacer/finished top

6 Counterweight Option:

- Y** Yes, add **\$59.94** list.
- N** No

- 2) Case wood finish or laminate surface color.

- 3) Base/Leg trim color.
Side Panel Base (E) - (No finish specification).
Plinth Base (Q) - Wood edge finish
Plinth Base (L) - Edge trim color
Chamfer (P) - Trim color.

- 4) Spacer trim color
Floating Spacer (F) - Trim color
Solid Spacer (Q) - Wood finish
Solid Spacer (L) - Edge trim color

- 5) Lock plug trim color.

- 6) Aluminum J-Pull trim color, if applicable.

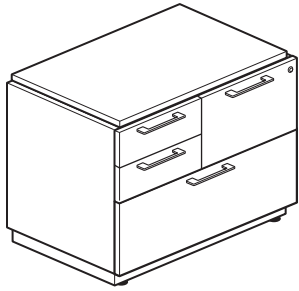
- 7) Laminate case edge trim color, if applicable.

Open Shelf Lateral File

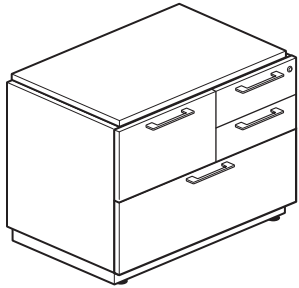
Actual Height No Spacer	Actual Height w/Spacer	Actual Depth Inset Back*	Actual Width	Pull	Number	①	②	③	④	⑤	⑥	Laminate A	B	Wood Group A	Group B
1.5H															
20.9" (531mm)	22.0" (559mm)	16.93" (430mm)	29.88" (759mm)	7,8,9	BZLV-1830-					L		\$1266.87	\$1343.32	\$1699.88	\$1780.11
					K	BZLV-1830-		K	L			1344.81	1421.26	1777.82	1858.05
					F	BZLV-1830-WW	F	L				N/A	N/A	N/A	1780.11
					6	BZLV-1830-	6	L				1332.83	1409.28	1765.84	1846.07
20.9" (531mm)	22.0" (559mm)	16.93" (430mm)	35.88" (911mm)	7,8,9	BZLV-1836-					L		\$1391.99	\$1468.44	\$1858.11	\$1940.34
					K	BZLV-1836-		K	L			1469.93	1546.38	1936.05	2018.28
					F	BZLV-1836-WW	F	L				N/A	N/A	N/A	1940.34
					6	BZLV-1836-	6	L				1457.95	1534.40	1924.07	2006.30
20.9" (531mm)	22.0" (559mm)	22.93" (582mm)	29.88" (759mm)	7,8,9	BZLV-2430-					L		\$1359.99	\$1436.44	\$1801.23	\$1881.95
					K	BZLV-2430-		K	L			1437.93	1514.38	1879.17	1959.89
					F	BZLV-2430-WW	F	L				N/A	N/A	N/A	1881.95
					6	BZLV-2430-	6	L				1425.95	1502.40	1867.19	1947.91
20.9" (531mm)	22.0" (559mm)	22.93" (582mm)	35.88" (911mm)	7,8,9	BZLV-2436-					L		\$1485.11	\$1561.56	\$1959.46	\$2042.18
					K	BZLV-2436-		K	L			1563.05	1639.50	2037.40	2120.12
					F	BZLV-2436-WW	F	L				N/A	N/A	N/A	2042.18
					6	BZLV-2436-	6	L				1551.07	1627.52	2025.42	2108.14
2H															
26.9" (683mm)	28.0" (711mm)	16.93" (430mm)	29.88" (759mm)	7,8,9	BZLZ-1830-					L		\$1386.71	\$1463.16	\$1819.72	\$1899.95
					K	BZLZ-1830-		K	L			1464.65	1541.10	1897.66	1977.89
					F	BZLZ-1830-WW	F	L				N/A	N/A	N/A	1899.95
					6	BZLZ-1830-	6	L				1452.67	1529.12	1885.68	1965.91
26.9" (683mm)	28.0" (711mm)	16.93" (430mm)	35.88" (911mm)	7,8,9	BZLZ-1836-					L		\$1511.83	\$1588.28	\$1977.95	\$2060.18
					K	BZLZ-1836-		K	L			1589.77	1666.22	2055.89	2138.12
					F	BZLZ-1836-WW	F	L				N/A	N/A	N/A	2060.18
					6	BZLZ-1836-	6	L				1577.79	1654.24	2043.91	2126.14
26.9" (683mm)	28.0" (711mm)	22.93" (582mm)	29.88" (759mm)	7,8,9	BZLZ-2430-					L		\$1479.83	\$1556.28	\$1921.07	\$2001.79
					K	BZLZ-2430-		K	L			1557.77	1634.22	1999.01	2079.73
					F	BZLZ-2430-WW	F	L				N/A	N/A	N/A	2001.79
					6	BZLZ-2430-	6	L				1545.79	1622.24	1987.03	2067.75
26.9" (683mm)	28.0" (711mm)	22.93" (582mm)	35.88" (911mm)	7,8,9	BZLZ-2436-					L		\$1604.95	\$1681.40	\$2079.30	\$2162.02
					K	BZLZ-2436-		K	L			1682.89	1759.34	2157.24	2239.96
					F	BZLZ-2436-WW	F	L				N/A	N/A	N/A	2162.02
					6	BZLZ-2436-	6	L				1670.91	1747.36	2145.26	2227.98

*Unfinished Inset Back
Wood finger pull (F) (Group B only).

Combination Unit

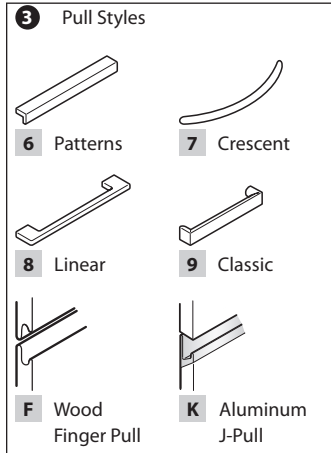


BZLB



BZLC

Note: Graphics shown with solid spacer and plinth base. See features for file drawer capabilities.



Features

- Combination Units include:
 - Base or leg and drawer pull options.
 - Floating spacer option has a finished top.
 - Solid spacer option has an unfinished top.
 - Matched veneer drawer/door fronts.
 - Wood English dovetailed Baltic Birch or black miterfold drawer interiors.
- Available on:
 - Laminate case with back and laminate drawer fronts. Laminate case edgeband matches laminate drawer front edgeband.
 - Wood case standard with finished case, back and wood drawer fronts. Wood drawer front edge banding matches wood drawer fronts.
- Box drawers include one black plastic divider each.
- One black plastic pencil tray included with Box/Box drawer.
- File drawer includes integrated file hanging system and two file hangar bars per drawer.
 - Pedestal drawer: Letter: Front-to-back
 - 18"(457mm) D x 36"(914mm) W: letter/legal front-to-back
 - 24"(610mm) D x 36"(914mm) W: letter/legal front-to-back or legal side-to-side
- Note - The upper file drawer will accommodate Pendaflex file folders with tabs. The lower lateral file drawer will accommodate a Pendaflex file folder without tabs. Lower file drawer will not close if tabs are used.
- All drawers have full extension slides.
- Standard with single lock; lock plugs available in chrome or black.
- For lock options, refer to Lock Program Price List.
- Drawer Body options;
 - Black miterfold (B)
 - Wood English dovetailed Baltic Birch (W).
- Drawer pull options:
 - Crescent (7), Linear (8) and Classic (9) pulls are Brushed Nickel finish (no specification required).
 - Patterns (6) pull standard in Anodized Aluminum finish (no specification required).
 - Wood Finger Pull (F) is same wood/finish specified on case (Group B only).
 - Integrated Aluminum J-Pull (K); aluminum finger pull requires trim color.
- Base/Leg Options:
 - Side Panel Base (E); sides/front extend to floor; side panels are part of case.
 - Plinth Base with wood edge (Q); requires wood edge finish.
 - Plinth Base with plastic edge (L); requires edge trim color.
 - Chamfer leg (P); requires trim color.
- Glide height adjustment ranges:
 - Chamfer leg - 1.25"(32mm)
 - Side Panel Base/Plinth Base - 2"(51mm)
- Spacer Options:
 - Floating Spacer (F); requires trim color.
 - Solid Spacer with wood edge (Q); requires wood edge finish.
 - Solid Spacer with plastic edge (L); requires edge trim color.
 - No Spacer (U); no surface specification required (unfinished top).
 - No Spacer (N); no surface specification required (finished top).
- Counterweight Option:
 - Yes, counterweight is factory installed.
 - No, no counterweight (attached pedestal only).
- Floating and solid spacers are 1.19"(30mm) high.
- Orientation of box/box drawers is represented by one of the following letters as the fourth-digit.
 - (C) right-hand side of unit.
 - (B) left-hand side of unit.
- Case (with/without optional Counterweight) ships assembled; Spacer and Base/Legs require field installation.

Specification Tips

- Finished back is separately specified when combination unit back is exposed.
- Requires a solid or floating spacer for a 29"(737mm) high Adaptable worksurface application.
- For panel mounted applications; separately specify appropriate attachment brackets for support and load purposes.
- Combination Unit:
 - with solid spacer is not intended for use with a knife edge Adaptable worksurface due to dimensional differences.
 - without spacer with finished or unfinished top may be used in a slip-fit or nested Adaptable worksurface application.
 - without spacer is for use with edgeband Adaptable worksurface only; not intended for use with knife edges due to dimensional differences.
- Orientation of drawer configuration is not field changeable.
- Counterweight:
 - may be used in combination unit with or without a separately specified finished back.

Specification Tips, cont.

- is required in a freestanding combination unit.
- is not needed when two or more units are attached to a Compose Common/Continuous Storage Top or are ganged together with attachment hardware.
- is not required in a panel mounted application when combination unit is attached to an Adaptable worksurface.
- Stack-on Storage:
 - may be used with combination units; combination unit and stack-on unit to be same width.
- Refer to Specification Guide for planning information.

To Order, Specify:

1) Product number, including:

1 Case Options:

LL Laminate

WW Wood

2 Drawer Options:

B Black Miterfold

W Wood, add **\$146.79** list.

3 Pull Options:

6 Patterns

7 Crescent

8 Linear

9 Classic

F Wood Finger Pull (Group B only)

K Aluminum J-Pull

4 Base/Leg Options:

E Side Panel Base

Q Plinth Base/Wood Edge, add **\$329.02** list.

L Plinth Base/Plastic Edge, add **\$299.68** list.

P Chamfer Leg, add **\$97.84** list.

5 Spacer Options:

F Floating Spacer/finished top 18"(457mm) deep, add **\$137.91** list, 24"(610mm) deep, add **\$152.30** list.

Q Solid Spacer/Wood Edge/unfinished top, add **\$298.59** list.

L Solid Spacer/Plastic Edge/unfinished top, add **\$191.87** list.

U No Spacer/unfinished top

N No Spacer/finished top

6 Counterweight Option:

Y Yes, add **\$59.94** list.

N No

2) Case wood finish or laminate surface color.

3) Base/Leg trim color.
Side Panel Base (E) - (No finish specification.)
Plinth Base (Q) - Wood edge finish.
Plinth Base (L) - Edge trim color.
Chamfer (P) - Trim color.

4) Spacer trim color:
Floating Spacer (F) - Trim color.
Solid Spacer (Q) - Wood Finish.
Solid Spacer (L) - Edge trim color.

5) Lock plug trim color.

6) Aluminum J-Pull trim color, if applicable.

7) Laminate case edge trim color, if applicable.

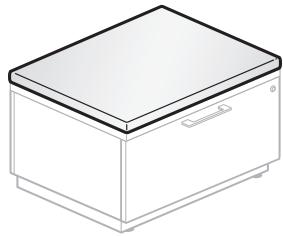
Combination Unit

Actual Height No Spacer	Actual Height w/Spacer	Actual Depth Inset Back*	Actual Width	Pull	Number	①	②	③	④	⑤	⑥	Laminate A	B	Wood Group A	Group B
Right Hand															
26.9"(683mm)	28.0"(711mm)	16.93"(430mm)	35.875"(911mm)	7,8,9	BZLC-1836-	■	■	■	L	■	■	\$1546.06	\$1646.36	\$2118.51	\$2225.02
				K	BZLC-1836-	■	K	L	■	■	■	1779.90	1880.20	2352.35	2458.86
				F	BZLC-1836-WW	■	F	L	■	■	■	N/A	N/A	N/A	2225.02
				6	BZLC-1836-	■	6	L	■	■	■	1743.92	1844.22	2316.37	2422.88
26.9"(683mm)	28.0"(711mm)	22.93"(582mm)	35.875"(911mm)	7,8,9	BZLC-2436-	■	■	■	L	■	■	\$1571.75	\$1672.05	\$2153.99	\$2250.71
				K	BZLC-2436-	■	K	L	■	■	■	1805.59	1905.89	2387.83	2484.55
				F	BZLC-2436-WW	■	F	L	■	■	■	N/A	N/A	N/A	2250.71
				6	BZLC-2436-	■	6	L	■	■	■	1769.61	1869.91	2351.85	2448.57
Left Hand															
26.9"(683mm)	28.0"(711mm)	16.93"(430mm)	35.875"(911mm)	7,8,9	BZLB-1836-	■	■	■	L	■	■	\$1546.06	\$1646.36	\$2118.51	\$2225.02
				K	BZLB-1836-	■	K	L	■	■	■	1779.90	1880.20	2352.35	2458.86
				F	BZLB-1836-WW	■	F	L	■	■	■	N/A	N/A	N/A	2225.02
				6	BZLB-1836-	■	6	L	■	■	■	1743.92	1844.22	2316.37	2422.88
26.9"(683mm)	28.0"(711mm)	22.93"(582mm)	35.875"(911mm)	7,8,9	BZLB-2436-	■	■	■	L	■	■	\$1571.75	\$1672.05	\$2153.99	\$2250.71
				K	BZLB-2436-	■	K	L	■	■	■	1805.59	1905.89	2387.83	2484.55
				F	BZLB-2436-WW	■	F	L	■	■	■	N/A	N/A	N/A	2250.71
				6	BZLB-2436-	■	6	L	■	■	■	1769.61	1869.91	2351.85	2448.57

*Unfinished Inset Back
Wood finger pull (F) (Group B only).

Lateral File/Storage Accessories

File/Storage Cushion



BZSC-F

Actual Height	Nominal Depth	Actual Width	Number ①	Fabric Grade				
				A	B	C	D	E
1.25"(32mm)	18"(457mm)	29.88"(759mm)	BZSC-1830-F	\$567.26	\$682.93	\$778.85	\$ 882.27	\$ 984.28
	24"(610mm)		BZSC-2430-F	662.67	789.35	886.93	992.06	1095.78
1.25"(32mm)	18"(457mm)	35.88"(911mm)	BZSC-1836-F	\$579.38	\$709.03	\$807.11	\$ 912.75	\$1016.92
	24"(610mm)		BZSC-2436-F	674.79	815.45	915.19	1022.54	1128.42

Features

- Includes one 1.25"(32mm) thick cushion with removable attachment.
- File/Storage cushions are dimensioned to accommodate units with insert back (S) or separately specified proud finished back (A).
- Field installed.
- COM yardage:
 18"(457mm) x 30"(762mm) - 1.9 yards
 18"(457mm) x 36"(914mm) - 2.2 yards
 24"(610mm) x 30"(762mm) - 2.5 yards
 24"(610mm) x 36"(914mm) - 2.6 yards

To Order, Specify:

- 1) Product number, including:

① Unit Back Option:

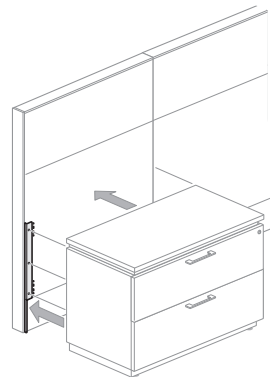
- A** Proud Finished Back
- S** Inset Unfinished Back

- 2) Fabric and color.

Specification Tips

- For use with Compose Storage.
- File/Storage Cushion:
 - Must be used on top of attached Compose Storage top.
 - May not be placed directly on top of spacers or finished/unfinished tops.
- Not for use with X Series or V Series storage.
- Separately specified storage top is required for use with Lateral File cushion.
- Refer to Specification Guide for planning information.

Storage-to-Panel Bracket



BZBG

Description	Number	Trim	
		A	B
2H storage	BZBG-0002	\$101.52	\$107.52
3H storage/ full height storage	BZBG-0003	101.52	107.52

Features

- Includes one bracket and mounting screws.
- Installs into panel frame attachment slots and attaches to back side of lower storage or full height storage.
- Non-handed.
- **Installation requires field drilling which will deface storage unit or finished back.**

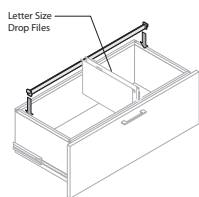
To Order, Specify:

- 1) Product number.
- 2) Trim color.

Specification Tips

- For use with 2H- and 3H storage units and full height storage with Chamfer leg, plinth or side panel bases; height specific product number.
- Worksurface and lower storage unit must be same nominal depth.
- Designed for use with edgeband worksurfaces.
- **Not for use with:**
 - Knife edge worksurfaces
 - X Series or V Series storage
- For use with lower storage with unfinished insert back or separately specified finished proud back.
- Refer to Specification Guide for planning information.

Lateral File Hanging Bar



BZAH

Width	Number	Price
30"(762mm)	BZAH-0030	\$15.58
36"(914mm)	BZAH-0036	17.98

Features

- Includes one side-to-side hanging bar.
- Allows for side-to-side letter filing in lateral file drawer.
- Standard in black finish color only.

To Order, Specify:

- 1) Product number.
(No finish specification required.)

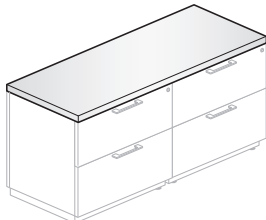
Individual/Common Storage Tops

Nominal Depth	Actual Depth Proud	Actual Depth Inset	Nominal Width	Laminate Number	①	Laminate A	Laminate B	Wood Number	①②	Wood Group A	Group B
18"(457mm)	17.68"(449mm)	16.93"(430mm)	16"(406mm)	BZTR-1816-LJS	S	\$107.91	\$175.06	BZTR-1816-WKS		\$ 284.19	\$ 300.98
			30"(762mm)	BZTR-1830-LJS	S	146.55	213.70	BZTR-1830-WKS		348.31	367.13
			36"(914mm)	BZTR-1836-LJS	S	163.11	230.26	BZTR-1836-WKS		375.79	395.48
			60"(1524mm)	BZTR-1860-LJS	S	229.35	296.50	BZTR-1860-WKS	S	485.71	508.88
			66"(1676mm)	BZTR-1866-LJS	S	245.91	313.06	BZTR-1866-WKS	S	513.19	537.23
			72"(1829mm)	BZTR-1872-LJS	S	262.47	329.62	BZTR-1872-WKS	S	540.67	565.58
24"(610mm)	23.68"(601mm)	22.93"(583mm)	16"(406mm)	BZTR-2416-LJS	S	\$120.15	\$187.30	BZTR-2416-WKS		\$ 310.83	\$ 328.49
			30"(762mm)	BZTR-2430-LJS	S	166.95	234.10	BZTR-2430-WKS		392.71	412.98
			36"(914mm)	BZTR-2436-LJS	S	187.59	254.74	BZTR-2436-WKS		429.07	450.50
			60"(1524mm)	BZTR-2460-LJS	S	270.15	337.30	BZTR-2460-WKS	S	574.51	600.58
			66"(1676mm)	BZTR-2466-LJS	S	290.79	357.94	BZTR-2466-WKS	S	610.87	638.10
			72"(1829mm)	BZTR-2472-LJS	S	311.43	378.58	BZTR-2472-WKS	S	647.23	675.62
30"(762mm)	29.68"(754mm)	28.93"(735mm)	16"(406mm)	BZTR-3016-LJS	S	\$132.39	\$199.54	BZTR-3016-WKS		\$ 337.47	\$ 356.00
36"(914mm)	35.36"(898mm)	33.86"(860mm)	30"(762mm)	BZTR-3630-LJS	S	\$207.75	\$274.90	BZTR-3630-WKS		\$ 481.51	\$ 504.68
			36"(914mm)	BZTR-3636-LJS	S	236.55	303.70	BZTR-3636-WKS		535.63	560.54
			60"(1524mm)	BZTR-3660-LJS	S	347.67	414.82	BZTR-3660-WKS	S	743.23	774.81
			66"(1676mm)	BZTR-3666-LJS	S	376.47	443.62	BZTR-3666-WKS	S	797.35	830.67
			72"(1829mm)	BZTR-3672-LJS	S	405.27	472.42	BZTR-3672-WKS	S	851.47	886.53
48"(1219mm)	47.36"(1203mm)	45.86"(1165mm)	30"(762mm)	BZTR-4830-LJS	S	\$248.55	\$315.70	BZTR-4830-WKS		\$ 570.31	\$ 596.38
			36"(914mm)	BZTR-4836-LJS	S	285.51	352.66	BZTR-4836-WKS		642.19	670.58
			60"(1524mm)	BZTR-4860-LJS	S	429.27	496.42	BZTR-4860-WKS	S	920.83	958.21
			66"(1676mm)	BZTR-4866-LJS	S	466.23	533.38	BZTR-4866-WKS	S	992.71	1032.41
			72"(1829mm)	BZTR-4872-LJS	S	503.19	570.34	BZTR-4872-WKS	S	1064.59	1106.61

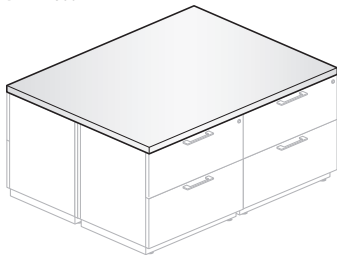
Individual/Common Storage Tops — For use with Proud Finished Back and Inset Unfinished Back Units



BZTR-1830



BZTR-1860



BZTR-3660

Features

- Includes 1.19"(30mm) thick Individual or Common Storage Top and attachment hardware.
- Available in laminate or wood veneer:
 - laminate surface with 3mm edgeband on front and back edge; 1mm edgeband on sides.
 - wood surface with 3mm wood edgeband on front and back; 1mm wood edgeband on sides.
- Available for storage applications with inset unfinished back or separately specified proud finished back; specify accordingly.
- Common storage tops require all storage units to have the same back option; inset unfinished backs or separately specified proud finished backs.
- Storage tops are dimensioned to accommodate storage units with inset back or separately specified proud finished attached back:
 - Specify "S" to accommodate storage unit with inset unfinished back.
 - Specify "A" to accommodate storage units with separately specified proud finished back.

Specification Tips

- Dimensioned for use with Compose Storage only; freestanding application.
- Individual Storage Top for use with a single pedestal, a single storage unit, a single file; lateral, combination or open shelf.
- Common Storage Top is for use with two side-by-side lower storage units in a single row; application may be mirrored for a back-to-back application. For use with storage units or files; lateral, combination or open shelf.
- All storage units must have the same back option in a common storage top application.
- May be used on lower storage with or without spacer.
- Refer to Specification Guide for planning information.

To Order, Specify:

Laminate Surface

- 1) Product number, including:

① Unit Back Option:

- A** Proud Finished Back
- S** Inset Unfinished Back

- 2) Laminate surface color.
- 3) Edge trim color.

Wood Surface

- 1) Product number, including:

① Unit Back Option:

- A** Proud Finished Back
- S** Inset Unfinished Back

② Grain Direction

(30" and 36" widths only)

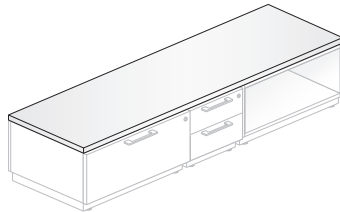
- S** Side-to-Side
- C** Front-to-Back

- 2) Wood finish for surface/edge.

Continuous Storage Tops

Nominal Depth	Actual Depth Proud	Actual Depth Inset	Nominal Width	Laminate Number ①	Laminate A	Laminate B	Wood Number ①	Wood Group A	Wood Group B		
Side-by-Side											
18"(457mm)	17.68"(449mm)	16.93"(430mm)	62"(1575mm)	BZTB-1862-LJS	S	\$234.87	\$302.02	BZTB-1862-WKS	S	\$494.87	\$518.33
			68"(1727mm)	BZTB-1868-LJS	S	251.43	318.58	BZTB-1868-WKS	S	522.35	546.68
			76"(1930mm)	BZTB-1876-LJS	S	273.51	340.66	BZTB-1876-WKS	S	558.99	584.48
			88"(2235mm)	BZTB-1888-LJS	S	306.63	373.78	BZTB-1888-WKS	S	613.95	641.18
			90"(2286mm)	BZTB-1890-LJS	S	312.15	379.30	BZTB-1890-WKS	S	623.11	650.63
			96"(2438mm)	BZTB-1896-LJS	S	328.71	395.86	BZTB-1896-WKS	S	650.59	678.98
			102"(2591mm)	BZTB-18A2-LJS	S	345.27	412.42	BZTB-18A2-WKS	S	678.07	707.33
24"(610mm)	23.68"(601mm)	22.93"(582mm)	108"(2743mm)	BZTB-18A8-LJS	S	361.83	428.98	BZTB-18A8-WKS	S	705.55	735.68
			62"(1575mm)	BZTB-2462-LJS	S	\$275.67	\$342.82	BZTB-2462-WKS	S	\$583.67	\$610.03
			68"(1727mm)	BZTB-2468-LJS	S	296.31	363.46	BZTB-2468-WKS	S	620.03	647.55
			76"(1930mm)	BZTB-2476-LJS	S	322.47	389.62	BZTB-2476-WKS	S	665.55	694.52
			88"(2235mm)	BZTB-2488-LJS	S	363.75	430.90	BZTB-2488-WKS	S	738.27	769.56
			90"(2286mm)	BZTB-2490-LJS	S	373.35	440.50	BZTB-2490-WKS	S	756.31	788.18
			96"(2438mm)	BZTB-2496-LJS	S	393.99	461.14	BZTB-2496-WKS	S	792.67	825.70
			102"(2591mm)	BZTB-24A2-LJS	S	414.63	481.78	BZTB-24A2-WKS	S	829.03	863.22
			108"(2743mm)	BZTB-24A8-LJS	S	435.27	502.42	BZTB-24A8-WKS	S	865.39	900.74

Continuous Storage Tops — For use with Proud Finished Back and Inset Unfinished Back Units



BZTB-1862

Continuous Storage Top Accommodates

Width	Storage Combined Widths
62"	16"/16"/30"
68"	16"/16"/36"
76"	16"/30"/30"
88"	16"/36"/36"
90"	30"/30"/30"
96"	30"/30"/36"
102"	36"/36"/30"
108"(A8)	36"/36"/36"

Features

- Includes 1.19"(30mm) thick Continuous Storage Top and attachment hardware.
- Available in laminate or wood veneer:
 - laminate surface with 3mm edgeband on front and back edge; 1mm edgeband on sides.
 - wood veneer surface with 3mm wood edgeband on front and back; 1mm wood edgeband on sides.
- Available for storage applications with inset unfinished back or separately specified proud finished back; specify accordingly.
- Continuous storage tops require all storage units to have the same back option; inset unfinished backs or separately specified proud finished backs.

Specification Tips

- Dimensioned for use with Compose Storage only; freestanding application. For use with pedestal, storage unit or file; lateral, combination or open shelf.
- Continuous Storage Top is for use with three side-by-side lower storage units in a single row application.
- Storage tops are dimensional to accommodate storage units with an inset unfinished back or separately specified proud finished attached back.
 - Specify "S" to accommodate storage unit with inset unfinished back.
 - Specify "A" to accommodate storage unit with separately specified proud finished back.
- All storage units must have the same back option in a continuous storage top application.
- May be used on lower storage with or without spacer.
- Refer to Specification Guide for additional planning information.

To Order, Specify:

Laminate Surface

- 1) Product number, including:

① Unit Back Option:

- A** Proud Finished Back
- S** Inset Unfinished Back

- 2) Laminate surface color.
- 3) Edge trim color.

Wood Surface

- 1) Product number, including:

① Unit Back Option:

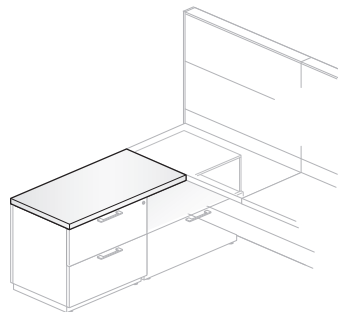
- A** Proud Finished Back
- S** Inset Unfinished Back

- 2) Wood finish for surface/edge.

Off-Modular Storage Tops

Nominal Depth	Actual Depth Proud	Actual Depth Inset	Width	Laminate Number	①	Laminate A	B	Wood Number	①②	Wood Group A	Group B
18"(457mm)	17.68"(449mm)	16.93"(430mm)	30"(762mm)	BZTM-1830-LJS	S	\$146.55	\$213.70	BZTM-1830-WKS		\$348.31	\$367.13
			36"(914mm)	BZTM-1836-LJS	S	163.11	230.26	BZTM-1836-WKS		375.79	395.48
			42"(1067mm)	BZTM-1842-LJS	S	179.67	246.82	BZTM-1842-WKS		403.27	423.83
			48"(1219mm)	BZTM-1848-LJS	S	196.23	263.38	BZTM-1848-WKS		430.75	452.18
			54"(1372mm)	BZTM-1854-LJS	S	212.79	279.94	BZTM-1854-WKS	S	458.23	480.53
24"(610mm)	23.68"(601mm)	22.93"(582mm)	30"(762mm)	BZTM-2430-LJS	S	\$166.95	\$234.10	BZTM-2430-WKS		\$392.71	\$412.98
			36"(914mm)	BZTM-2436-LJS	S	187.59	254.74	BZTM-2436-WKS		429.07	450.50
			42"(1067mm)	BZTM-2442-LJS	S	208.23	275.38	BZTM-2442-WKS		465.43	488.02
			48"(1219mm)	BZTM-2448-LJS	S	228.87	296.02	BZTM-2448-WKS		501.79	525.54
			54"(1372mm)	BZTM-2454-LJS	S	249.51	316.66	BZTM-2454-WKS	S	538.15	563.06
36"(914mm)	35.36"(898mm)	33.86"(860mm)	30"(762mm)	BZTM-3630-LJS	S	\$207.75	\$274.90	BZTM-3630-WKS		\$481.51	\$504.68
			36"(914mm)	BZTM-3636-LJS	S	236.55	303.70	BZTM-3636-WKS		535.63	560.54
			42"(1067mm)	BZTM-3642-LJS	S	265.35	332.50	BZTM-3642-WKS		589.75	616.40
			48"(1219mm)	BZTM-3648-LJS	S	294.15	361.30	BZTM-3648-WKS		643.87	672.26
			54"(1372mm)	BZTM-3654-LJS	S	322.95	390.10	BZTM-3654-WKS	S	697.99	728.12
48"(1219mm)	47.36"(1203mm)	45.86"(1165mm)	30"(762mm)	BZTM-4830-LJS	S	\$248.55	\$315.70	BZTM-4830-WKS		\$570.31	\$596.38
			36"(914mm)	BZTM-4836-LJS	S	285.51	352.66	BZTM-4836-WKS		642.19	670.58
			42"(1067mm)	BZTM-4842-LJS	S	322.47	389.62	BZTM-4842-WKS		714.07	744.78
			48"(1219mm)	BZTM-4848-LJS	S	359.43	426.58	BZTM-4848-WKS		785.95	818.98
			54"(1372mm)	BZTM-4854-LJS	S	396.39	463.54	BZTM-4854-WKS	S	857.83	893.18

For use in off-modular Proud Finished Back and Inset Unfinished Back Units



BZTM-1836

Features

- Includes 1.19"(30mm) thick Off-Modular Storage Top and attachment hardware.
- Available in laminate or wood veneer:
 - laminate surface with 3mm edgeband on front and back edge; 1mm edgeband on sides.
 - wood veneer surface with 3mm wood edgeband on front and back; 1mm wood edgeband on sides.
- Available for nested storage applications with inset unfinished backs or separately specified proud finished backs; specify accordingly.
- Off-Modular storage tops require all storage units have the same back option; inset unfinished backs or a separately specified proud finished backs.

Specification Tips

- Dimensioned for use with Compose Storage only. For use with storage units or files; lateral, combination or open shelf.
- Designed for a nested storage application; a portion of the lower storage application is nested beneath a 1.19"(30mm) thick panel mounted Adaptable worksurface.
- Off-Modular Storage Top is for use with:
 - two side-by-side lower storage units in a single row; one storage unit is nested beneath a panel mounted adaptable worksurface.
 - two side-by-side lower storage units in a mirrored application; two storage units are nested beneath a panel mounted adaptable worksurface.
- Off-Modular Storage tops are dimensioned to accommodate storage units with an inset unfinished back or separately specified proud finished attached back:
 - Specify "S" to accommodate storage unit with inset unfinished back.
 - Specify "A" to accommodate storage unit with separately specified proud finished back.
- All storage units must have the same back option in an off-modular storage top application.
- Refer to Specification Guide for planning information.

To Order, Specify:

Laminate Surface

- 1) Product number, including:

① Unit Back Option:

- A Proud Finished Back
- S Inset Unfinished Back

- 2) Laminate surface color.
- 3) Edge trim color.

Wood Surface

- 1) Product number, including:

① Unit Back Option:

- A Proud Finished Back
- S Inset Unfinished Back

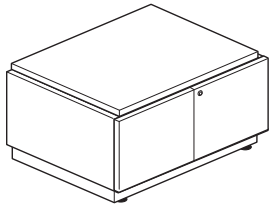
② Grain Direction

(30", 36", 42", 48" widths only)

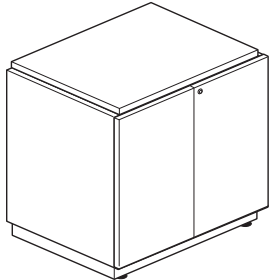
- S Side-to-Side
- C Front-to-Back

- 2) Wood finish for surface/edge.

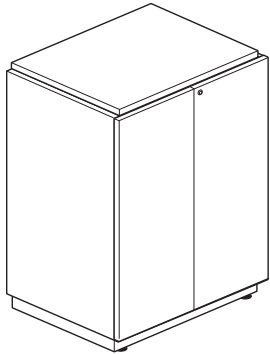
Storage Unit with Doors



BZSS-WW1T



BZSS-WW2T



BZSS-WW3T

Note: Graphics shown with solid spacer and plinth base.

Features

- Storage Units with doors include:
 - Matched veneer door fronts.
 - Standard with finished interior.
 - Base or leg options.
 - Floating spacer option has a finished top.
 - Solid spacer option has an unfinished top.
- Available on:
 - Laminate case with unfinished inset back and laminate touch-latch doors.
 - Wood case standard with unfinished inset back and wood touch-latch doors.
- Shelves are 0.75"(19mm) thick and adjust 1.26"(32mm) up or down only.
 - 1H: open interior storage.
 - 2H: one adjustable shelf.
 - 3H: two adjustable shelves.
- Interior height dimension is based upon leg/base option chosen; refer to Specification Guide.
- Base/Leg Options:
 - Side Panel Base (E); sides/front extend to floor; side panels are part of case.
 - Plinth Base with wood edge (Q); requires wood finish.
 - Plinth Base with plastic edge (L); requires edge trim color.
 - Chamfer leg (P); requires trim color.
- Glide adjustment range:
 - Side Panel Base: 1"(25mm).
 - Plinth Base/Chamfer Leg: 1.25"(32mm).
- Locking Options:
 - Touch-latch wood doors available with or without lock.
 - Lock plugs available in chrome or black.
- For lock options, refer to Lock Program Price List.
- Spacer Options:
 - Floating Spacer (F); requires trim color (finished top).
 - Solid Spacer with wood edge (Q); requires wood edge finish (unfinished top).
 - Solid Spacer with plastic edge (L); requires edge trim color (unfinished top).
 - No Spacer (U); no surface specification required (unfinished top).
 - No Spacer (N); no surface specification required (finished top).
- Floating and solid spacers are 1.19"(30mm) high.
- Case ships assembled; Spacers and Base/Legs require field installation.

Specification Tips

- Finished Back is separately specified when storage unit back is exposed.
- 2H storage unit requires a solid or floating spacer for a 29"(737mm) high Adaptable worksurface.
- For panel mounted applications; separately specify appropriate attachment brackets for support and load purposes.
- Storage Unit:
 - with solid spacer are not intended for use with a knife edge Adaptable worksurface due to dimensional differences.
 - without spacer with finished or unfinished top may be used in a slip-fit or nested Adaptable worksurface application.
 - without spacer are for use with edgeband Adaptable worksurface only; not intended for use with knife edge due to dimensional differences.
- Counterweight is not needed in a storage unit with doors.
- Side panel base option provides approximately 1.625"(41mm) additional interior storage capacity. Refer to Specification Guide for details.
- Stack-on Storage:
 - may be used with 1H or 2H storage unit; storage unit and stack-on to be same width.
 - not for use with 3H storage unit.
- Refer to Specification Guide for planning information.

To Order, Specify:

- 1) Product number, including:

1 Case Options:

LL Laminate

WW Wood

2 Base/Leg Options:

E Side Panel Base

Q Plinth Base/Wood Edge, add **\$329.02** list.

L Plinth Base/Plastic Edge, add **\$299.68** list.

P Chamfer Leg, add **\$97.84** list.

3 Lock Options:

L Locking, add **\$127.21** list.

N Non-locking

4 Spacer Options:

F Floating Spacer/finished top 18"(457mm) deep, add **\$137.91** list. 24"(610mm) deep, add **\$152.30** list.

Q Solid Spacer/Wood Edge/unfinished top, add **\$298.59** list.

L Solid Spacer/Plastic Edge/unfinished top, add **\$191.87** list.

U No Spacer/unfinished top

N No Spacer/finished top

- 2) Case wood finish or laminate surface color.

- 3) Base/Leg trim color:
 - Side Panel Base (E) - (No finish specification.)
 - Plinth Base (Q) - Wood finish
 - Plinth Base (L) - Edge trim color.
 - Chamfer (P) - Trim color.

- 4) Spacer trim color:
 - Floating Spacer (F) - Trim color
 - Solid Spacer (Q) - Wood edge finish
 - Solid Spacer (L) - Edge trim color.

- 5) Lock plug trim color, if applicable.

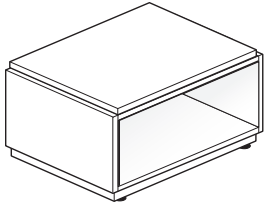
- 6) Laminate case edge trim color, if applicable.

Storage Unit with Doors

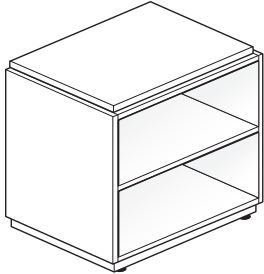
Actual Height No Spacer	Actual Height w/Spacer	Actual Depth Inset Back*	Actual Width	Number ① ② ③ ④	Laminate A	B	Wood Group A	Group B
1H								
14.8"(376mm)	16.0"(406mm)	16.93"(430mm)	29.88"(759mm)	BZSS-1830- 1T	\$1136.31	\$1227.22	\$1577.86	\$1672.52
			35.88"(911mm)	BZSS-1836- 1T	1182.67	1273.58	1643.79	1739.62
		22.93"(582mm)	29.88"(759mm)	BZSS-2430- 1T	1177.16	1268.07	1640.71	1736.71
			35.88"(911mm)	BZSS-2436- 1T	1223.52	1314.43	1706.64	1803.81
2H								
26.9"(683mm)	28.0"(711mm)	16.93"(430mm)	29.88"(759mm)	BZSS-1830- 2T	\$1503.26	\$1594.17	\$1944.81	\$2039.47
			35.88"(911mm)	BZSS-1836- 2T	1549.62	1640.53	2010.74	2106.57
		22.93"(582mm)	29.88"(759mm)	BZSS-2430- 2T	1544.11	1635.02	2007.66	2103.66
			35.88"(911mm)	BZSS-2436- 2T	1590.47	1681.38	2073.59	2170.76
3H								
38.9"(988mm)	40.1"(1019mm)	16.93"(430mm)	29.88"(759mm)	BZSS-1830- 3T	\$1930.13	\$2021.04	\$2371.68	\$2466.34
			35.88"(911mm)	BZSS-1836- 3T	1976.49	2067.40	2437.61	2533.44
		22.93"(582mm)	29.88"(759mm)	BZSS-2430- 3T	1970.98	2061.89	2434.53	2530.53
			35.88"(911mm)	BZSS-2436- 3T	2017.34	2108.25	2500.46	2597.63

*Unfinished Inset Back

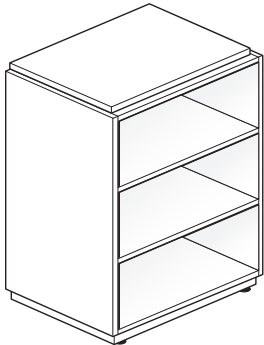
Storage Unit without Doors



BZSN-WN1N



BZSN-WN2N



BZSN-WN3N

Note: Graphics shown with solid spacer and plinth base.

Features

- Storage Units without doors include:
 - Standard with unfinished inset back.
 - Standard with finished interior.
 - Base or leg options.
 - Floating spacer option has a finished top.
 - Solid spacer option has an unfinished top.
- Shelves are 0.75”(19mm) thick and adjust 1.26”(32mm) up or down only.
 - 1H: open interior storage.
 - 2H: one adjustable shelf.
 - 3H: two adjustable shelves.
- Interior height dimension is based upon leg/base option chosen; refer to Specification Guide.
- Base/Leg Options:
 - Plinth Base with wood edge (Q); requires wood finish.
 - Plinth Base with plastic edge (L); requires edge trim color.
 - Chamfer leg (P); requires trim color.
- Glide adjustment range:
 - Side Panel Base: 1”(25mm).
 - Plinth Base/Chamfer Leg: 1.25”(32mm).
- Spacer Options:
 - Floating Spacer (F); requires trim color (finished top).
 - Solid Spacer with wood edge (Q); requires wood edge finish (unfinished top).
 - Solid Spacer with plastic edge (L); requires edge trim color (unfinished top).
 - No Spacer (U); no surface specification required (unfinished top).
 - No Spacer (N); no surface specification required (finished top).
- Floating and solid spacers are 1.19”(30mm) high.
- Case ships assembled; Spacers and Plinth Base/Legs require field installation.

Specification Tips

- Finished Back is separately specified when storage unit back is exposed.
- 2H storage unit requires a solid or floating spacer for a 29”(737mm) high Adaptable worksurface.
- For panel mounted applications; separately specify appropriate attachment brackets for support and load purposes.
- Storage Unit without Doors:
 - with solid spacer is not intended for use with a knife edge Adaptable worksurface due to dimensional differences.
 - without spacer with finished or unfinished top may be used in a slip-fit or nested Adaptable worksurface application.
 - without spacer is for use with edgeband Adaptable worksurface only; not intended for use with knife edge due to dimensional differences.
- Counterweight is not needed in a storage unit.
- Side panel base option provides approximately 1.625”(41mm) additional interior storage capacity. Refer to Specification Guide for details.
- Stack-on Storage:
 - may be used with 1H or 2H storage unit; storage unit and stack-on to be same width.
 - may not be used with 3H storage unit.
- Refer to Specification Guide for planning information.

To Order, Specify:

- Product number, including:

1 Case Options:

LN Laminate

WN Wood

2 Base/Leg Options:

E Side Panel Base

Q Plinth Base/Wood Edge, add **\$329.02** list.

L Plinth Base/Plastic Edge, add **\$299.68** list.

P Chamfer Leg, add **\$97.84** list.

3 Spacer Options:

F Floating Spacer/finished top 18”(457mm) deep, add **\$137.91** list. 24”(610mm) deep, add **\$152.30** list.

Q Solid Spacer/Wood Edge/unfinished top, add **\$298.59** list.

L Solid Spacer/Plastic Edge/unfinished top, add **\$191.87** list.

U No Spacer/unfinished top

N No Spacer/finished top

- Case wood finish or laminate surface color.

- Base/Leg trim color:
 - Side Panel Base (E) - (No finish specification.)
 - Plinth Base (Q) - Wood finish
 - Plinth Base (L) - Edge trim color.
 - Chamfer (P) - Trim color.

- Spacer trim color:
 - Floating Spacer (F) - Trim color
 - Solid Spacer (Q) - Wood edge finish
 - Solid Spacer (L) - Edge trim color

- Laminate case edge trim color, if applicable.

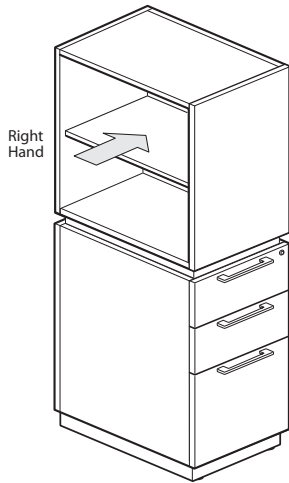
Storage Unit without Doors

Actual Height No Spacer	Actual Height w/Spacer	Nominal Depth Inset Back*	Actual Width	Number ① ② ③	Laminate A	B	Wood Group A	Group B
1H								
14.8"(376mm)	16.0"(406mm)	16"(406mm)	29.88"(759mm)	BZSN-1830- 1N N	\$ 884.34	\$ 955.10	\$1235.38	\$1309.49
			35.88"(911mm)	BZSN-1836- 1N N	934.12	1004.88	1299.34	1359.27
		22"(559mm)	29.88"(759mm)	BZSN-2430- 1N N	931.19	1001.95	1298.86	1356.34
			35.88"(911mm)	BZSN-2436- 1N N	980.97	1051.73	1362.82	1406.12
2H								
26.9"(683mm)	28.0"(711mm)	16"(406mm)	29.88"(759mm)	BZSN-1830- 2N N	\$1273.29	\$1344.05	\$1624.33	\$1698.44
			35.88"(911mm)	BZSN-1836- 2N N	1323.07	1393.83	1688.29	1748.22
		22"(559mm)	29.88"(759mm)	BZSN-2430- 2N N	1320.14	1390.90	1687.81	1745.29
			35.88"(911mm)	BZSN-2436- 2N N	1369.92	1440.68	1751.77	1795.07
3H								
38.9"(988mm)	40.1"(1019mm)	16"(406mm)	29.88"(759mm)	BZSN-1830- 3N N	\$1618.23	\$1688.99	\$1969.27	\$2043.38
			35.88"(911mm)	BZSN-1836- 3N N	1668.01	1738.77	2033.23	2093.16
		22"(559mm)	29.88"(759mm)	BZSN-2430- 3N N	1665.08	1735.84	2032.75	2090.23
			35.88"(911mm)	BZSN-2436- 3N N	1714.86	1785.62	2096.71	2140.01

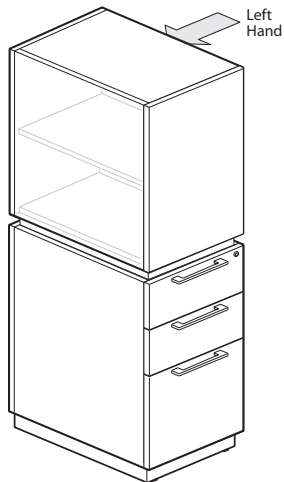
*Unfinished Inset Back

This page intentionally blank

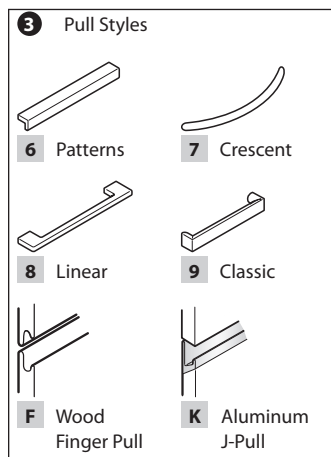
Personal Storage Tower with Side Bookcase



BZRH-LQR



BZRH-LQL



Features

- Freestanding Personal Storage Tower with Side Bookcase includes:
 - Base or leg and drawer pull options.
 - Bookcase with side access.
 - Wood drawer front edge banding matches wood drawer fronts.
 - Matched veneer drawer fronts.
 - Wood English dovetailed Baltic Birch or black miterfold drawer interiors.
 - Bookcase interior/shelves are same wood/finish specified on case.
- Available on:
 - Laminate case with back with inset top, drawer fronts and bookcase interior.
 - Wood case standard with finished wood back, inset top, drawer fronts and bookcase interior.
- Bookcase includes:
 - 49”(1245mm)/57”(1448mm) high: one adjustable shelf.
 - 65”(1651mm)/73”(1854mm) high: two adjustable shelves.
 - Shelf adjustment: 1.26”(32mm) up or down only
- Box drawers include one black plastic divider each.
- One black plastic pencil tray included.
- File drawer includes integrated file hanging system and two file hangar bars per drawer for letter front-to-back filing.
- All drawers have full extension slides.
- Standard with single lock; lock plug available in chrome or black.
- For lock options refer to Lock Program Price List.
- Drawer Options:
 - Black miterfold (B)
 - Wood English dovetailed Baltic Birch (W)
- Drawer Pull Options:
 - Crescent (7), Linear (8) and Classic (9) pulls standard in Brushed Nickel finish (no specification required).
 - Patterns (6) pull standard in Anodized Aluminum finish (no specification required).
 - Wood Finger Pull (F) is same wood/finish specified on case (Group B only).
 - Integrated Aluminum J-Pull (K); aluminum finger pull requires trim color.
- Base/Leg Options:
 - Side Panel Base (E); sides/front extend to floor; side panels are part of case.
 - Plinth Base with wood edge (Q); requires wood finish.
 - Plinth Base with plastic edge (L); requires edge trim color.
 - Chamfer leg (P); requires trim color.
- Glide height adjustment ranges:
 - Chamfer leg: 1.25”(32mm).
 - Side Panel Base/Plinth Base: 2”(51mm).
- Side bookcase orientation:
 - (R) right-hand side of unit
 - (L) left-hand side of unit
- Spacer Options:
 - Solid Spacer with wood edge (Q); requires wood finish.
 - Solid Spacer with plastic edge (L); requires edge trim color.
- Solid Spacers are 1.19”(30mm) high.
- Case ships assembled; Base/Legs require field installation.

Specification Tips

- Counterweight is not needed in a personal storage tower.
- Personal Storage Tower heights compliment Compose panel heights.
- Personal Storage Tower with Side Bookcase does not accommodate additional shelves.
- Refer to Specification Guide for planning information.

To Order, Specify:

1) Product number, including:

1 Case Options:

LL Laminate

WW Wood

2 Drawer Options:

B Black Miterfold

W Wood, add **\$92.62** list.

3 Pull Options:

6 Patterns

7 Crescent

8 Linear

9 Classic

F Wood Finger Pull (Group B only)

K Aluminum J-Pull

4 Base/Leg Options:

E Side Panel Base

Q Plinth Base/Wood Edge, add **\$206.72** list.

L Plinth Base/Plastic Edge, add **\$177.36** list.

P Chamfer Leg, add **\$97.84** list.

5 Spacer Option:

Q Solid Spacer/Wood Edge, add **\$173.87**.

L Solid Spacer/Plastic Edge, no upcharge.

6 Bookcase Orientation:

R Right hand bookcase

L Left hand bookcase

2) Case wood finish or laminate surface color.

3) Base/Leg trim color.
Side Panel Base (E) - (No finish specification.)
Plinth Base (Q) - Wood finish.
Plinth Base (L) - Edge trim color.
Chamfer (P) - Trim color.

4) Spacer trim color.
Solid Spacer (Q) - Wood finish.
Solid Spacer (L) - Edge trim color.

5) Lock plug trim color.

6) Aluminum J-Pull trim color, if applicable.

7) Laminate case edge trim color, if applicable.

Personal Storage Tower with Side Bookcase

Actual Height	Actual Depth	Actual Width	Description	Pull	Number	① ② ③ ④ ⑤ ⑥						Laminate		Wood Group		
						A	B	Group A	Group B							
49"(1245mm)	17.68"(449mm)	15.5"(394mm)	Box/Box/File	7,8,9	BZRH-4918-					L		\$2113.59	\$2282.39	\$2700.70	\$2804.66	
					K				K	L			2347.43	2516.23	2934.54	3038.50
					F				F	L			N/A	N/A	N/A	2804.66
					6				6	L			2311.45	2480.25	2898.56	3002.52
57"(1448mm)	17.68"(449mm)	15.5"(394mm)	Box/Box/File	7,8,9	BZRH-5718-					L		\$2180.86	\$2355.05	\$2788.78	\$2908.41	
					K				K	L			2414.70	2588.89	3022.62	3142.25
					F				F	L			N/A	N/A	N/A	2908.41
					6				6	L			2378.72	2552.91	2986.64	3106.27
65"(1651mm)	17.68"(449mm)	15.5"(394mm)	Box/Box/File	7,8,9	BZRH-6518-					L		\$2248.13	\$2427.71	\$2876.86	\$3012.16	
					K				K	L			2481.97	2661.55	3110.70	3246.00
					F				F	L			N/A	N/A	N/A	3012.16
					6				6	L			2445.99	2625.57	3074.72	3210.02
73"(1854mm)	17.68"(449mm)	15.5"(394mm)	Box/Box/File	7,8,9	BZRH-7318-					L		\$2315.40	\$2500.37	\$2964.94	\$3115.91	
					K				K	L			2549.24	2734.21	3198.78	3349.75
					F				F	L			N/A	N/A	N/A	3115.91
					6				6	L			2513.26	2698.23	3162.80	3313.77
49"(1245mm)	17.68"(449mm)	15.5"(394mm)	File/File	7,8,9	BZRH-4918-					L		\$2113.59	\$2282.39	\$2700.70	\$2804.66	
					K				K	L			2347.43	2516.23	2934.54	3038.50
					F				F	L			N/A	N/A	N/A	2804.66
					6				6	L			2311.45	2480.25	2898.56	3002.52
57"(1448mm)	17.68"(449mm)	15.5"(394mm)	File/File	7,8,9	BZRH-5718-					L		\$2180.86	\$2355.05	\$2788.78	\$2908.41	
					K				K	L			2414.70	2588.89	3022.62	3142.25
					F				F	L			N/A	N/A	N/A	2908.41
					6				6	L			2378.72	2552.91	2986.64	3106.27
65"(1651mm)	17.68"(449mm)	15.5"(394mm)	File/File	7,8,9	BZRH-6518-					L		\$2248.13	\$2427.71	\$2876.86	\$3012.16	
					K				K	L			2481.97	2661.55	3110.70	3246.00
					F				F	L			N/A	N/A	N/A	3012.16
					6				6	L			2445.99	2625.57	3074.72	3210.02
73"(1854mm)	17.68"(449mm)	15.5"(394mm)	File/File	7,8,9	BZRH-7318-					L		\$2315.40	\$2500.37	\$2964.94	\$3115.91	
					K				K	L			2549.24	2734.21	3198.78	3349.75
					F				F	L			N/A	N/A	N/A	3115.91
					6				6	L			2513.26	2698.23	3162.80	3313.77
49"(1245mm)	23.68"(601mm)	15.5"(394mm)	Box/Box/File	7,8,9	BZRH-4924-					L		\$2158.85	\$2331.26	\$2760.64	\$2875.26	
					K				K	L			2392.69	2565.10	2994.48	3109.10
					F				F	L			N/A	N/A	N/A	2875.26
					6				6	L			2356.71	2529.12	2958.50	3073.12
57"(1448mm)	23.68"(601mm)	15.5"(394mm)	Box/Box/File	7,8,9	BZRH-5724-					L		\$2226.12	\$2403.92	\$2848.72	\$2979.01	
					K				K	L			2459.96	2637.76	3082.56	3212.85
					F				F	L			N/A	N/A	N/A	2979.01
					6				6	L			2423.98	2601.78	3046.58	3176.87
65"(1651mm)	23.68"(601mm)	15.5"(394mm)	Box/Box/File	7,8,9	BZRH-6524-					L		\$2293.39	\$2476.58	\$2936.80	\$3082.76	
					K				K	L			2527.23	2710.42	3170.64	3316.60
					F				F	L			N/A	N/A	N/A	3082.76
					6				6	L			2491.25	2674.44	3134.66	3280.62
73"(1854mm)	23.68"(601mm)	15.5"(394mm)	Box/Box/File	7,8,9	BZRH-7324-					L		\$2360.66	\$2549.24	\$3024.88	\$3186.51	
					K				K	L			2594.50	2783.08	3258.72	3420.35
					F				F	L			N/A	N/A	N/A	3186.51
					6				6	L			2558.52	2747.10	3222.74	3384.37
49"(1245mm)	23.68"(601mm)	15.5"(394mm)	File/File	7,8,9	BZRH-4924-					L		\$2158.85	\$2331.26	\$2760.64	\$2875.26	
					K				K	L			2392.69	2565.10	2994.48	3109.10
					F				F	L			N/A	N/A	N/A	2875.26
					6				6	L			2356.71	2529.12	2958.50	3073.12
57"(1448mm)	23.68"(601mm)	15.5"(394mm)	File/File	7,8,9	BZRH-5724-					L		\$2226.12	\$2403.92	\$2848.72	\$2979.01	
					K				K	L			2459.96	2637.76	3082.56	3212.85
					F				F	L			N/A	N/A	N/A	2979.01
					6				6	L			2423.98	2601.78	3046.58	3176.87
65"(1651mm)	23.68"(601mm)	15.5"(394mm)	File/File	7,8,9	BZRH-6524-					L		\$2293.39	\$2476.58	\$2936.80	\$3082.76	
					K				K	L			2527.23	2710.42	3170.64	3316.60
					F				F	L			N/A	N/A	N/A	3082.76
					6				6	L			2491.25	2674.44	3134.66	3280.62
73"(1854mm)	23.68"(601mm)	15.5"(394mm)	File/File	7,8,9	BZRH-7324-					L		\$2360.66	\$2549.24	\$3024.88	\$3186.51	
					K				K	L			2594.50	2783.08	3258.72	3420.35
					F				F	L			N/A	N/A	N/A	3186.51
					6				6	L			2558.52	2747.10	3222.74	3384.37

Wood finger pull (F) (Group B only).

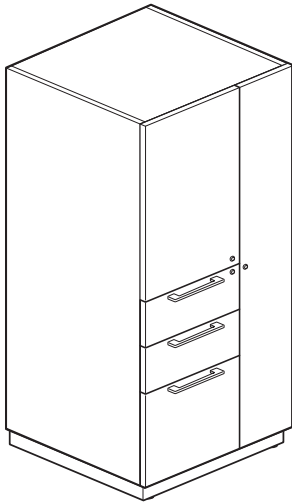
Personal Storage Tower with Side Bookcase

Actual Height	Actual Depth	Actual Width	Description	Pull	Number	①	②	③	④	⑤	⑥	Laminate A	B	Wood Group A	Group B
49"(1245mm)	29.68"(754mm)	15.5"(394mm)	Box/Box/File	7,8,9	BZRH-4930-					L		\$2204.11	\$2380.13	\$2820.58	\$2945.86
				K	BZRH-4930-			K	L			2437.95	2613.97	3054.42	3179.70
				F	BZRH-4930-WW		F	L				N/A	N/A	N/A	2945.86
				6	BZRH-4930-		6	L				2401.97	2577.99	3018.44	3143.72
57"(1448mm)	29.68"(754mm)	15.5"(394mm)	Box/Box/File	7,8,9	BZRH-5730-					L		\$2271.38	\$2452.79	\$2908.66	\$3049.61
				K	BZRH-5730-			K	L			2505.22	2686.63	3142.50	3283.45
				F	BZRH-5730-WW		F	L				N/A	N/A	N/A	3049.61
				6	BZRH-5730-		6	L				2469.24	2650.65	3106.52	3247.47
65"(1651mm)	29.68"(754mm)	15.5"(394mm)	Box/Box/File	7,8,9	BZRH-6530-					L		\$2338.65	\$2525.45	\$2996.74	\$3153.36
				K	BZRH-6530-			K	L			2572.49	2759.29	3230.58	3387.20
				F	BZRH-6530-WW		F	L				N/A	N/A	N/A	3153.36
				6	BZRH-6530-		6	L				2536.51	2723.31	3194.60	3351.22
73"(1854mm)	29.68"(754mm)	15.5"(394mm)	Box/Box/File	7,8,9	BZRH-7330-					L		\$2405.92	\$2598.11	\$3084.82	\$3257.11
				K	BZRH-7330-			K	L			2639.76	2831.95	3318.66	3490.95
				F	BZRH-7330-WW		F	L				N/A	N/A	N/A	3257.11
				6	BZRH-7330-		6	L				2603.78	2795.97	3282.68	3454.97
49"(1245mm)	29.68"(754mm)	15.5"(394mm)	File/File	7,8,9	BZRJ-4930-					L		\$2204.11	\$2380.13	\$2820.58	\$2945.86
				K	BZRJ-4930-			K	L			2437.95	2613.97	3054.42	3179.70
				F	BZRJ-4930-WW		F	L				N/A	N/A	N/A	2945.86
				6	BZRJ-4930-		6	L				2401.97	2577.99	3018.44	3143.72
57"(1448mm)	29.68"(754mm)	15.5"(394mm)	File/File	7,8,9	BZRJ-5730-					L		\$2271.38	\$2452.79	\$2908.66	\$3049.61
				K	BZRJ-5730-			K	L			2505.22	2686.63	3142.50	3283.45
				F	BZRJ-5730-WW		F	L				N/A	N/A	N/A	3049.61
				6	BZRJ-5730-		6	L				2469.24	2650.65	3106.52	3247.47
65"(1651mm)	29.68"(754mm)	15.5"(394mm)	File/File	7,8,9	BZRJ-6530-					L		\$2338.65	\$2525.45	\$2996.74	\$3153.36
				K	BZRJ-6530-			K	L			2572.49	2759.29	3230.58	3387.20
				F	BZRJ-6530-WW		F	L				N/A	N/A	N/A	3153.36
				6	BZRJ-6530-		6	L				2536.51	2723.31	3194.60	3351.22
73"(1854mm)	29.68"(754mm)	15.5"(394mm)	File/File	7,8,9	BZRJ-7330-					L		\$2405.92	\$2598.11	\$3084.82	\$3257.11
				K	BZRJ-7330-			K	L			2639.76	2831.95	3318.66	3490.95
				F	BZRJ-7330-WW		F	L				N/A	N/A	N/A	3257.11
				6	BZRJ-7330-		6	L				2603.78	2795.97	3282.68	3454.97

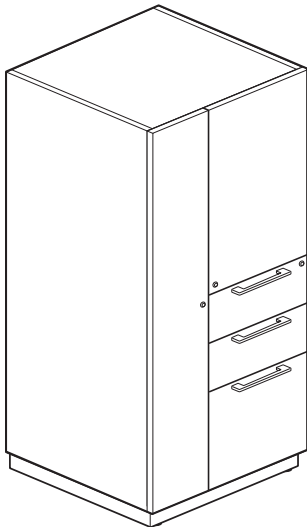
Wood finger pull (F) (Group B only).

This page intentionally blank

Personal Storage Tower with Wardrobe

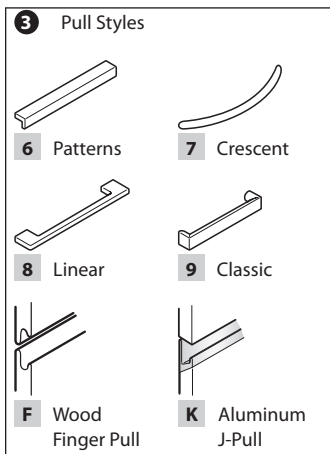


BZVH-NR



BZVH-NL

Note: Graphics shown with plinth base.



Features

- Freestanding Personal Storage Tower with Wardrobe includes:
 - Wood or laminate case standard with unfinished inset wood back, inset top, drawer fronts and touch-latch doors.
 - Base or leg and drawer pull options.
 - Wardrobe and upper storage units with touch-latch doors.
 - Wood or laminate drawer front edge banding matches wood or laminate drawer/door fronts.
 - Matched veneer drawer and door fronts.
 - Wood English dovetailed Baltic Birch or black miterfold drawer interiors.
 - Wardrobe/upper storage interiors/shelves are same wood/finish specified on case.
- Storage unit includes:
 - 49”(1245mm)/57”(1448mm) high: one adjustable shelf.
 - 65”(1651mm)/73”(1854mm) high: two adjustable shelves.
 - Shelf adjustment: 1.26”(32mm) up or down only.
- Wardrobe includes:
 - 18”(457mm) deep: stainless steel coat hook and one fixed shelf.
 - 24”(610mm)/30”(762mm) deep: chrome coat rod and one fixed shelf.
- File drawer includes integrated file hanging system and two file hangar bars per drawer for letter front-to-back filing.
- All drawers have full extension slides.
- Drawer Options:
 - Black miterfold (B)
 - Wood English dovetailed Baltic Birch (W)
- Drawer Pull Options:
 - Crescent (7), Linear (8) and Classic (9) pulls standard in Brushed Nickel finish (no specification required).
 - Patterns (6) pull standard in Anodized Aluminum finish (no specification required).
 - Wood Finger Pull (F) is same wood/finish specified on case (Group B only).
 - Integrated Aluminum J-Pull (K); aluminum finger pull requires trim color.
- Base/Leg Options:
 - Side Panel Base (E); sides/front extend to floor; side panels are part of case.
 - Plinth Base with wood edge (Q); requires wood finish.
 - Plinth Base with plastic edge (L); requires edge trim color.
 - Chamfer leg (P); requires trim color.
- Glide adjustment range:
 - Side Panel Base: 1”(25mm).
 - Plinth Base/Chamfer Leg: 1.25”(32mm).
- Locking Option:
 - Touch-latch wood doors on wardrobe and storage; both locking or both non-locking.
 - Drawers standard with single lock.
 - Lock plugs available in chrome or black.
 - For Lock options refer to Lock Program Price List.
- Wardrobe orientation:
 - (R) right-hand side of unit
 - (L) left-hand side of unit
- Case ships assembled; Base/Legs require field installation.

Specification Tips

- Finished back is separately specified when personal storage tower with wardrobe back is exposed.
- Counterweight is not needed in a personal storage tower.
- Side panel base option provides approximately 1.625”(41mm) additional interior storage capacity on wardrobe side. Refer to Specification Guide for details.
- Personal Storage Tower with Wardrobe does not accommodate additional shelves.
- Refer to Specification Guide for planning information.

To Order, Specify:

1) Product number, including:

1 Case Options:

LL Laminate

WW Wood

2 Drawer Options:

B Black Miterfold

W Wood, add **\$92.62** list.

3 Pull Options:

6 Patterns

7 Crescent

8 Linear

9 Classic

F Wood Finger Pull (Group B only)

K Aluminum J-Pull

4 Base/Leg Options:

E Side Panel Base

Q Plinth Base/Wood Edge, add **\$257.81** list.

L Plinth Base/Plastic Edge, add **\$221.84** list.

P Chamfer Leg, add **\$97.84** list.

5 Lock Options:

L Locking, add **\$261.76** list.

N Non-locking

6 Wardrobe Orientation:

R Right hand wardrobe

L Left hand wardrobe

2) Case wood finish or laminate surface color.

3) Base/Leg trim color:
 Side Panel Base (E) - (No finish specification.)
 Plinth Base (Q) - Wood finish.
 Plinth Base (L) - Edge trim color.
 Chamfer (P) - Trim color.

4) Lock plug trim color.

5) Aluminum J-Pull trim color.

6) Laminate case edge trim color, if applicable.

Personal Storage Tower with Wardrobe

Actual Height	Actual Depth	Actual Width	Description	Pull	Number	① ② ③ ④ ⑤ ⑥						Laminate		Wood	
						A	B	Group A	Group B						
49"(1245mm)	16.9"(429mm)	23.88"(607mm)	Box/Box/File	7,8,9	BZVH-4918-					N	\$2518.46	\$2709.28	\$3322.05	\$3531.23	
					K	BZVH-4918-		K		N	2752.30	2943.12	3555.89	3765.07	
					F	BZVH-4918-WW	F		N	N/A	N/A	N/A	3531.23		
					6	BZVH-4918-		6		N	2716.32	2907.14	3519.91	3729.09	
57"(1448mm)	16.9"(429mm)	23.88"(607mm)	Box/Box/File	7,8,9	BZVH-5718-					N	\$2609.71	\$2807.85	\$3413.30	\$3627.96	
					K	BZVH-5718-		K		N	2843.55	3041.69	3647.14	3861.80	
					F	BZVH-5718-WW	F		N	N/A	N/A	N/A	3627.96		
					6	BZVH-5718-		6		N	2807.57	3005.71	3611.16	3825.82	
65"(1651mm)	16.9"(429mm)	23.88"(607mm)	Box/Box/File	7,8,9	BZVH-6518-					N	\$2700.96	\$2906.42	\$3504.55	\$3724.69	
					K	BZVH-6518-		K		N	2934.80	3140.26	3738.39	3958.53	
					F	BZVH-6518-WW	F		N	N/A	N/A	N/A	3724.69		
					6	BZVH-6518-		6		N	2898.82	3104.28	3702.41	3922.55	
73"(1854mm)	16.9"(429mm)	23.88"(607mm)	Box/Box/File	7,8,9	BZVH-7318-					N	\$2792.21	\$3004.99	\$3595.80	\$3821.42	
					K	BZVH-7318-		K		N	3026.05	3238.83	3829.64	4055.26	
					F	BZVH-7318-WW	F		N	N/A	N/A	N/A	3821.42		
					6	BZVH-7318-		6		N	2990.07	3202.85	3793.66	4019.28	
49"(1245mm)	16.9"(429mm)	23.88"(607mm)	File/File	7,8,9	BZVJ-4918-					N	\$2460.97	\$2646.89	\$3246.22	\$3454.17	
					K	BZVJ-4918-		K		N	2694.81	2880.73	3480.06	3688.01	
					F	BZVJ-4918-WW	F		N	N/A	N/A	N/A	3454.17		
					6	BZVJ-4918-		6		N	2658.83	2844.75	3444.08	3652.03	
57"(1448mm)	16.9"(429mm)	23.88"(607mm)	File/File	7,8,9	BZVJ-5718-					N	\$2552.22	\$2745.46	\$3337.47	\$3550.90	
					K	BZVJ-5718-		K		N	2786.06	2979.30	3571.31	3784.74	
					F	BZVJ-5718-WW	F		N	N/A	N/A	N/A	3550.90		
					6	BZVJ-5718-		6		N	2750.08	2943.32	3535.33	3748.76	
65"(1651mm)	16.9"(429mm)	23.88"(607mm)	File/File	7,8,9	BZVJ-6518-					N	\$2643.47	\$2844.03	\$3428.72	\$3647.63	
					K	BZVJ-6518-		K		N	2877.31	3077.87	3662.56	3881.47	
					F	BZVJ-6518-WW	F		N	N/A	N/A	N/A	3647.63		
					6	BZVJ-6518-		6		N	2841.33	3041.89	3626.58	3845.49	
73"(1854mm)	16.9"(429mm)	23.88"(607mm)	File/File	7,8,9	BZVJ-7318-					N	\$2734.72	\$2942.60	\$3519.97	\$3744.36	
					K	BZVJ-7318-		K		N	2968.56	3176.44	3753.81	3978.20	
					F	BZVJ-7318-WW	F		N	N/A	N/A	N/A	3744.36		
					6	BZVJ-7318-		6		N	2932.58	3140.46	3717.83	3942.22	
49"(1245mm)	22.9"(582mm)	23.88"(607mm)	Box/Box/File	7,8,9	BZVH-4924-					N	\$2570.67	\$2765.65	\$3374.26	\$3586.56	
					K	BZVH-4924-		K		N	2804.51	2999.49	3608.10	3820.40	
					F	BZVH-4924-WW	F		N	N/A	N/A	N/A	3586.56		
					6	BZVH-4924-		6		N	2768.53	2963.51	3572.12	3784.42	
57"(1448mm)	22.9"(582mm)	23.88"(607mm)	Box/Box/File	7,8,9	BZVH-5724-					N	\$2661.92	\$2864.22	\$3465.51	\$3683.29	
					K	BZVH-5724-		K		N	2895.76	3098.06	3699.35	3917.13	
					F	BZVH-5724-WW	F		N	N/A	N/A	N/A	3683.29		
					6	BZVH-5724-		6		N	2859.78	3062.08	3663.37	3881.15	
65"(1651mm)	22.9"(582mm)	23.88"(607mm)	Box/Box/File	7,8,9	BZVH-6524-					N	\$2753.17	\$2962.79	\$3556.76	\$3780.02	
					K	BZVH-6524-		K		N	2987.01	3196.63	3790.60	4013.86	
					F	BZVH-6524-WW	F		N	N/A	N/A	N/A	3780.02		
					6	BZVH-6524-		6		N	2951.03	3160.65	3754.62	3977.88	
73"(1854mm)	22.9"(582mm)	23.88"(607mm)	Box/Box/File	7,8,9	BZVH-7324-					N	\$2844.42	\$3061.36	\$3648.01	\$3876.75	
					K	BZVH-7324-		K		N	3078.26	3295.20	3881.85	4110.59	
					F	BZVH-7324-WW	F		N	N/A	N/A	N/A	3876.75		
					6	BZVH-7324-		6		N	3042.28	3259.22	3845.87	4074.61	

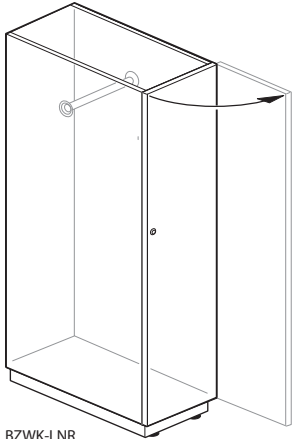
Wood finger pull (F) (Group B only).

Personal Storage Tower with Wardrobe

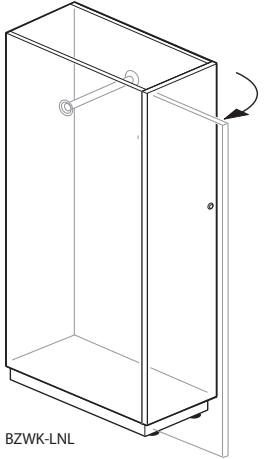
Actual Height	Actual Depth	Actual Width	Description	Pull	Number	① ② ③ ④ ⑤ ⑥						Laminate		Wood Group	
						A	B	Group A	Group B						
49"(1245mm)	22.9"(582mm)	23.88"(607mm)	File/File	7,8,9	BZVJ-4924-					N	\$2513.18	\$2703.26	\$3298.43	\$3509.50	
					K	BZVJ-4924-		K		N	2747.02	2937.10	3532.27	3743.34	
					F	BZVJ-4924-WW	F		N	N/A	N/A	N/A	3509.50		
					6	BZVJ-4924-	6		N	2711.04	2901.12	3496.29	3707.36		
57"(1448mm)	22.9"(582mm)	23.88"(607mm)	File/File	7,8,9	BZVJ-5724-					N	\$2604.43	\$2801.83	\$3389.68	\$3606.23	
					K	BZVJ-5724-		K		N	2838.27	3035.67	3623.52	3840.07	
					F	BZVJ-5724-WW	F		N	N/A	N/A	N/A	3606.23		
					6	BZVJ-5724-	6		N	2802.29	2999.69	3587.54	3804.09		
65"(1651mm)	22.9"(582mm)	23.88"(607mm)	File/File	7,8,9	BZVJ-6524-					N	\$2695.68	\$2900.40	\$3480.93	\$3702.96	
					K	BZVJ-6524-		K		N	2929.52	3134.24	3714.77	3936.80	
					F	BZVJ-6524-WW	F		N	N/A	N/A	N/A	3702.96		
					6	BZVJ-6524-	6		N	2893.54	3098.26	3678.79	3900.82		
73"(1854mm)	22.9"(582mm)	23.88"(607mm)	File/File	7,8,9	BZVJ-7324-					N	\$2786.93	\$2998.97	\$3572.18	\$3799.69	
					K	BZVJ-7324-		K		N	3020.77	3232.81	3806.02	4033.53	
					F	BZVJ-7324-WW	F		N	N/A	N/A	N/A	3799.69		
					6	BZVJ-7324-	6		N	2984.79	3196.83	3770.04	3997.55		
49"(1245mm)	28.9"(734mm)	23.88"(607mm)	Box/Box/File	7,8,9	BZVH-4930-					N	\$2622.88	\$2822.02	\$3426.47	\$3641.89	
					K	BZVH-4930-		K		N	2856.72	3055.86	3660.31	3875.73	
					F	BZVH-4930-WW	F		N	N/A	N/A	N/A	3641.89		
					6	BZVH-4930-	6		N	2820.74	3019.88	3624.33	3839.75		
57"(1448mm)	28.9"(734mm)	23.88"(607mm)	Box/Box/File	7,8,9	BZVH-5730-					N	\$2714.13	\$2920.59	\$3517.72	\$3738.62	
					K	BZVH-5730-		K		N	2947.97	3154.43	3751.56	3972.46	
					F	BZVH-5730-WW	F		N	N/A	N/A	N/A	3738.62		
					6	BZVH-5730-	6		N	2911.99	3118.45	3715.58	3936.48		
65"(1651mm)	28.9"(734mm)	23.88"(607mm)	Box/Box/File	7,8,9	BZVH-6530-					N	\$2805.38	\$3019.16	\$3608.97	\$3835.35	
					K	BZVH-6530-		K		N	3039.22	3253.00	3842.81	4069.19	
					F	BZVH-6530-WW	F		N	N/A	N/A	N/A	3835.35		
					6	BZVH-6530-	6		N	3003.24	3217.02	3806.83	4033.21		
73"(1854mm)	28.9"(734mm)	23.88"(607mm)	Box/Box/File	7,8,9	BZVH-7330-					N	\$2896.63	\$3117.73	\$3700.22	\$3932.08	
					K	BZVH-7330-		K		N	3130.47	3351.57	3934.06	4165.92	
					F	BZVH-7330-WW	F		N	N/A	N/A	N/A	3932.08		
					6	BZVH-7330-	6		N	3094.49	3315.59	3898.08	4129.94		
49"(1245mm)	28.9"(734mm)	23.88"(607mm)	File/File	7,8,9	BZVJ-4930-					N	\$2565.39	\$2759.63	\$3350.64	\$3564.83	
					K	BZVJ-4930-		K		N	2799.23	2993.47	3584.48	3798.67	
					F	BZVJ-4930-WW	F		N	N/A	N/A	N/A	3564.83		
					6	BZVJ-4930-	6		N	2763.25	2957.49	3548.50	3762.69		
57"(1448mm)	28.9"(734mm)	23.88"(607mm)	File/File	7,8,9	BZVJ-5730-					N	\$2656.64	\$2858.20	\$3441.89	\$3661.56	
					K	BZVJ-5730-		K		N	2890.48	3092.04	3675.73	3895.40	
					F	BZVJ-5730-WW	F		N	N/A	N/A	N/A	3661.56		
					6	BZVJ-5730-	6		N	2854.50	3056.06	3639.75	3859.42		
65"(1651mm)	28.9"(734mm)	23.88"(607mm)	File/File	7,8,9	BZVJ-6530-					N	\$2747.89	\$2956.77	\$3533.14	\$3758.29	
					K	BZVJ-6530-		K		N	2981.73	3190.61	3766.98	3992.13	
					F	BZVJ-6530-WW	F		N	N/A	N/A	N/A	3758.29		
					6	BZVJ-6530-	6		N	2945.75	3154.63	3731.00	3956.15		
73"(1854mm)	28.9"(734mm)	23.88"(607mm)	File/File	7,8,9	BZVJ-7330-					N	\$2839.14	\$3055.34	\$3624.39	\$3855.02	
					K	BZVJ-7330-		K		N	3072.98	3289.18	3858.23	4088.86	
					F	BZVJ-7330-WW	F		N	N/A	N/A	N/A	3855.02		
					6	BZVJ-7330-	6		N	3037.00	3253.20	3822.25	4052.88		

Wood finger pull (F) (Group B only).

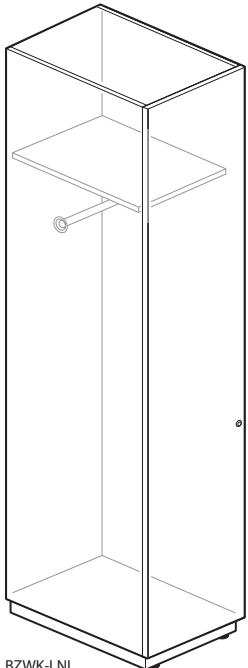
Wardrobes



BZWK-LNR



BZWK-LNL



BZWK-LNL

Note: Graphics shown with plinth base.

Features

- Wardrobe includes:
 - Wood or laminate case standard with unfinished inset back, inset top and touch-latch door.
 - Base or leg options.
 - 18”(457mm) depths include coat hook.
 - 24”(610mm)/30”(762mm) depths include coat rod.
- 73”(1854mm) high includes coat rod and one fixed shelf.
- Wardrobe interiors/shelves are same wood/finish specified on case.
- Base/Leg Options:
 - Side Panel Base (E); sides/front extend to floor; side panels are part of case.
 - Plinth Base with wood edge (Q); requires wood edge finish.
 - Plinth Base with plastic edge (L); requires edge trim color.
 - Chamfer leg (P); requires trim color.
- Glide adjustment range:
 - Side Panel Base: 1”(25mm).
 - Plinth Base/Chamfer Leg: 1.25”(32mm).
- Locking Option:
 - Touch-latch wood door available with or without lock.
 - Lock plug available in chrome or black.
 - For lock options, refer to Lock Program Price List.
- Door Swing Orientation:
 - (R) right-hand
 - (L) left-hand
- Case ships assembled; Base/Legs require field installation.

Specification Tips

- Finished back is separately specified when wardrobe back is exposed.
- Counterweight is not needed in a wardrobe.
- 12”(305mm) wide wardrobes must be attached to panel or adjacent worksurface or another storage unit.
- Side panel base option provides approximately 1.625”(41mm) additional interior storage capacity. Refer to Specification Guide for details.
- Wardrobe door swing orientation is not field changeable.
- Refer to Specification Guide for planning information.

To Order, Specify:

1) Product number, including:

1 Case Options:

LL Laminate

WW Wood

2 Base/Leg Options:

E Side Panel Base

Q Plinth Base/Wood Edge, add **\$257.81** list.

L Plinth Base/Plastic Edge, add **\$221.84** list.

P Chamfer Leg, add **\$97.84** list.

3 Lock Options:

L Locking, add **\$130.88** list.

N Non-locking

4 Door Swing Orientation:

R Right hand swing

L Left hand swing

2) Case wood finish or laminate surface color.

3) Base/Leg trim color
 Side Panel Base (E) - (No finish specification.)
 Plinth Base (Q) - Wood edge finish.
 Plinth Base (L) - Edge trim color.
 Chamfer (P) - Trim color.

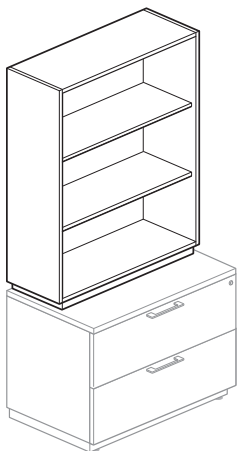
4) Lock plug trim color, if applicable.

5) Laminate case edge trim color, if applicable.

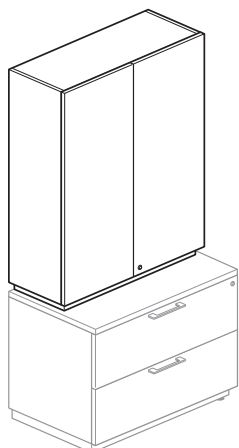
Wardrobes

Actual Height	Actual Depth	Actual Width	Number	① ② ③ ④				Laminate		Wood	
				A	B	Group A	Group B				
49"(1245mm)	16.9"(429mm)	11.88"(302mm)	BZWK-4918-	NT				\$1335.67	\$1442.08	\$2056.09	\$2179.64
57"(1448mm)			BZWK-5718-	NT				1426.92	1540.65	2147.34	2276.37
65"(1651mm)			BZWK-6518-	NT				1518.17	1639.22	2238.59	2373.10
73"(1854mm)			BZWK-7318-	NT				1609.42	1737.79	2329.84	2469.83
49"(1245mm)	22.9"(582mm)	11.88"(302mm)	BZWK-4924-	NT				\$1387.88	\$1498.45	\$2108.30	\$2234.97
57"(1448mm)			BZWK-5724-	NT				1479.13	1597.02	2199.55	2331.70
65"(1651mm)			BZWK-6524-	NT				1570.38	1695.59	2290.80	2428.43
73"(1854mm)			BZWK-7324-	NT				1661.63	1794.16	2382.05	2525.16
49"(1245mm)	28.9"(734mm)	11.88"(302mm)	BZWK-4930-	NT				\$1440.09	\$1554.82	\$2160.51	\$2290.30
57"(1448mm)			BZWK-5730-	NT				1531.34	1653.39	2251.76	2387.03
65"(1651mm)			BZWK-6530-	NT				1622.59	1751.96	2343.01	2483.76
73"(1854mm)			BZWK-7330-	NT				1713.84	1850.53	2434.26	2580.49
49"(1245mm)	16.9"(429mm)	17.88"(454mm)	BZWF-4918-	NT				\$1498.35	\$1618.22	\$2218.77	\$2475.41
57"(1448mm)			BZWF-5718-	NT				1589.60	1716.79	2310.02	2572.14
65"(1651mm)			BZWF-6518-	NT				1680.85	1815.36	2401.27	2668.87
73"(1854mm)			BZWF-7318-	NT				1772.10	1913.93	2492.52	2765.60
49"(1245mm)	22.9"(582mm)	17.88"(454mm)	BZWF-4924-	NT				\$1550.56	\$1674.59	\$2270.98	\$2530.74
57"(1448mm)			BZWF-5724-	NT				1641.81	1773.16	2362.23	2627.47
65"(1651mm)			BZWF-6524-	NT				1733.06	1871.73	2453.48	2724.20
73"(1854mm)			BZWF-7324-	NT				1824.31	1970.30	2544.73	2820.93
49"(1245mm)	28.9"(734mm)	17.88"(454mm)	BZWF-4930-	NT				\$1602.77	\$1730.96	\$2323.19	\$2586.07
57"(1448mm)			BZWF-5730-	NT				1694.02	1829.53	2414.44	2682.80
65"(1651mm)			BZWF-6530-	NT				1785.27	1928.10	2505.69	2779.53
73"(1854mm)			BZWF-7330-	NT				1876.52	2026.67	2596.94	2876.26

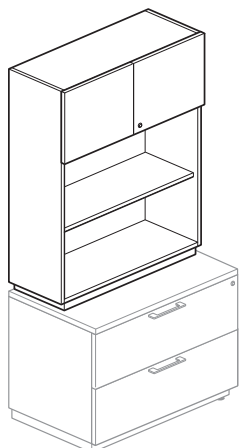
Stack-on Storage



BZDL-WNNSNN



BZKL-WWFTSLN



BZKL-WWPTSLN

Features

- Stack-on Storage includes:
 - Wood or laminate case standard with unfinished inset back, inset top with shelf/shelves.
 - Base reveal/interiors/shelves are same wood/finish specified on case.
 - Available with full touch-latch doors, partial touch-latch doors or no doors.
- Shelves adjust in increments of 1.26”(32mm) up or down only.
- Door height options:
 - Full height: Full height doors.
 - Partial Height: Doors on top only.
 - No Doors: Open unit.
- Locking Option:
 - Touch-latch doors available with or without locks.
 - Lock plugs available in chrome or black.
 - For lock options, refer to Lock Program Price List.
- Case shipped assembled.

Specification Tips

- Finished back is separately specified when stack-on storage back is exposed.
- For use with 1H or 2H storage unit with spacer and an Adaptable Worksurface or a Compose storage top.
- Lower storage unit does not require a counterweight when used with a Stack-on.
- A Stack-on unit attached to a lower storage unit with spacer and Adaptable Worksurface or Compose storage top will compliment Compose panel heights.
- A Stack-on unit attached to a lower storage unit without spacer with a Compose storage top may be positioned in a freestanding application; height will not align with Compose panel heights.
- Not recommended for use directly on top of a storage unit without spacer.
- Width of Stack-on unit and lower storage unit must be the same.

To Order, Specify:

- Product number, including:

① Locking Option (Doors)

L Locking, add **\$130.88** list.

N None

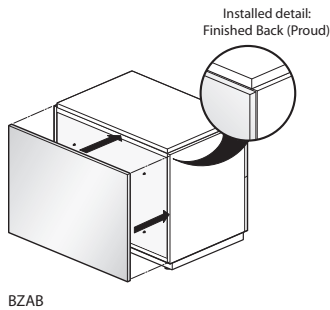
- Case wood finish or laminate surface color.
- Lock plug trim color, if applicable.
- Laminate case edge trim color, if applicable.

Stack-on Storage

Actual Height	Actual Depth	Actual Width	Laminate Number	Laminate A	B	Wood Number	Wood Group A	Group B
Without Doors								
19"(483mm)	13.3"(338mm)	29.88"(759mm)	BZDL-1930-LNNSNN	\$ 955.26	\$1023.76	BZDL-1930-WNNSNN	\$1274.50	\$1341.77
		35.88"(911mm)	BZDL-1936-LNNSNN	969.94	1038.44	BZDL-1936-WNNSNN	1308.75	1378.46
27"(686mm)		29.88"(759mm)	BZDL-2730-LNNSNN	\$1094.70	\$1163.20	BZDL-2730-WNNSNN	\$1470.22	\$1539.93
		35.88"(911mm)	BZDL-2736-LNNSNN	1109.38	1177.88	BZDL-2736-WNNSNN	1504.47	1576.62
31"(787mm)		29.88"(759mm)	BZDL-3130-LNNSNN	\$1164.42	\$1232.92	BZDL-3130-WNNSNN	\$1568.08	\$1639.01
		35.88"(911mm)	BZDL-3136-LNNSNN	1179.10	1247.60	BZDL-3136-WNNSNN	1602.33	1675.70
35"(889mm)		29.88"(759mm)	BZDL-3530-LNNSNN	\$1234.14	\$1302.64	BZDL-3530-WNNSNN	\$1665.94	\$1738.09
		35.88"(911mm)	BZDL-3536-LNNSNN	1248.82	1317.32	BZDL-3536-WNNSNN	1700.19	1774.78
39"(991mm)		29.88"(759mm)	BZDL-3930-LNNSNN	\$1303.86	\$1372.36	BZDL-3930-WNNSNN	\$1763.80	\$1837.17
		35.88"(911mm)	BZDL-3936-LNNSNN	1318.54	1387.04	BZDL-3936-WNNSNN	1798.05	1873.86
43"(1092mm)		29.88"(759mm)	BZDL-4330-LNNSNN	\$1373.58	\$1442.08	BZDL-4330-WNNSNN	\$1861.66	\$1936.25
		35.88"(911mm)	BZDL-4336-LNNSNN	1388.26	1456.76	BZDL-4336-WNNSNN	1895.91	1972.94
47"(1194mm)		29.88"(759mm)	BZDL-4730-LNNSNN	\$1443.30	\$1511.80	BZDL-4730-WNNSNN	\$1959.52	\$2035.33
		35.88"(911mm)	BZDL-4736-LNNSNN	1457.98	1526.48	BZDL-4736-WNNSNN	1993.77	2072.02
55"(1397mm)		29.88"(759mm)	BZDL-5530-LNNSNN	\$1582.74	\$1651.24	BZDL-5530-WNNSNN	\$2155.24	\$2233.49
		35.88"(911mm)	BZDL-5536-LNNSNN	1597.42	1665.92	BZDL-5536-WNNSNN	2189.49	2270.18

Actual Height	Actual Depth	Actual Width	Laminate Number	①	Laminate A	B	Wood Number	①	Wood Group A	Group B
Full Height Doors										
19"(483mm)	14.3"(363mm)	29.88"(759mm)	BZKL-1930-LLFTS	N	\$1298.95	\$1367.45	BZKL-1930-WWFTS	N	\$1764.98	\$1854.27
		35.88"(911mm)	BZKL-1936-LLFTS	N	1336.88	1405.38	BZKL-1936-WWFTS	N	1822.48	1914.21
27"(686mm)		29.88"(759mm)	BZKL-2730-LLFTS	N	\$1501.99	\$1570.49	BZKL-2730-WWFTS	N	\$2024.30	\$2116.03
		35.88"(911mm)	BZKL-2736-LLFTS	N	1539.92	1608.42	BZKL-2736-WWFTS	N	2081.80	2175.97
31"(787mm)		29.88"(759mm)	BZKL-3130-LLFTS	N	\$1603.51	\$1672.01	BZKL-3130-WWFTS	N	\$2153.96	\$2246.91
		35.88"(911mm)	BZKL-3136-LLFTS	N	1641.44	1709.94	BZKL-3136-WWFTS	N	2211.46	2306.85
35"(889mm)		29.88"(759mm)	BZKL-3530-LLFTS	N	\$1705.03	\$1773.53	BZKL-3530-WWFTS	N	\$2283.62	\$2377.79
		35.88"(911mm)	BZKL-3536-LLFTS	N	1742.96	1811.46	BZKL-3536-WWFTS	N	2341.12	2437.73
39"(991mm)		29.88"(759mm)	BZKL-3930-LLFTS	N	\$1806.55	\$1875.05	BZKL-3930-WWFTS	N	\$2413.28	\$2508.67
		35.88"(911mm)	BZKL-3936-LLFTS	N	1844.48	1912.98	BZKL-3936-WWFTS	N	2470.78	2568.61
43"(1092mm)		29.88"(759mm)	BZKL-4330-LLFTS	N	\$1908.07	\$1976.57	BZKL-4330-WWFTS	N	\$2542.94	\$2639.55
		35.88"(911mm)	BZKL-4336-LLFTS	N	1946.00	2014.50	BZKL-4336-WWFTS	N	2600.44	2699.49
47"(1194mm)		29.88"(759mm)	BZKL-4730-LLFTS	N	\$2009.59	\$2078.09	BZKL-4730-WWFTS	N	\$2672.60	\$2770.43
		35.88"(911mm)	BZKL-4736-LLFTS	N	2047.52	2116.02	BZKL-4736-WWFTS	N	2730.10	2830.37
55"(1397mm)		29.88"(759mm)	BZKL-5530-LLFTS	N	\$2212.63	\$2281.13	BZKL-5530-WWFTS	N	\$2931.92	\$3032.19
		35.88"(911mm)	BZKL-5536-LLFTS	N	2250.56	2319.06	BZKL-5536-WWFTS	N	2989.42	3092.13
Partial Doors on Top										
35"(889mm)	14.3"(363mm)	29.88"(759mm)	BZKL-3530-LLPTS	N	\$1636.57	\$1705.07	BZKL-3530-WWPTS	N	\$2212.70	\$2306.87
		35.88"(911mm)	BZKL-3536-LLPTS	N	1668.37	1736.87	BZKL-3536-WWPTS	N	2264.07	2360.68
43"(1092mm)		29.88"(759mm)	BZKL-4330-LLPTS	N	\$1773.57	\$1842.07	BZKL-4330-WWPTS	N	\$2405.98	\$2502.59
		35.88"(911mm)	BZKL-4336-LLPTS	N	1805.37	1873.87	BZKL-4336-WWPTS	N	2457.35	2556.40
47"(1194mm)		29.88"(759mm)	BZKL-4730-LLPTS	N	\$1842.07	\$1910.57	BZKL-4730-WWPTS	N	\$2502.62	\$2600.45
		35.88"(911mm)	BZKL-4736-LLPTS	N	1873.87	1942.37	BZKL-4736-WWPTS	N	2553.99	2654.26
55"(1397mm)		29.88"(759mm)	BZKL-5530-LLPTS	N	\$1979.07	\$2047.57	BZKL-5530-WWPTS	N	\$2695.90	\$2796.17
		35.88"(911mm)	BZKL-5536-LLPTS	N	2010.87	2079.37	BZKL-5536-WWPTS	N	2747.27	2849.98

Finished Back



Nominal Height	Nominal Width	Number ① ②	Laminate A	B	Wood Group A	Group B
1H						
14"(356mm)	15.5"(394mm)	BZAB-0116- S	\$152.96	\$165.22	\$218.26	\$231.36
	30"(762mm)	BZAB-0130- S	165.84	179.12	236.68	250.90
	36"(914mm)	BZAB-0136- S	171.36	185.07	244.58	259.28
1.5H						
20"(508mm)	15.5"(394mm)	BZAB-0016- S	\$159.27	\$172.03	\$227.28	\$240.93
	30"(762mm)	BZAB-0030- S	177.66	191.88	253.60	268.85
	36"(914mm)	BZAB-0036- S	185.55	200.39	264.88	280.81
2H						
26"(660mm)	15.5"(394mm)	BZAB-0216- S	\$165.57	\$178.83	\$236.31	\$250.50
	30"(762mm)	BZAB-0230- S	189.49	204.64	270.52	286.79
	36"(914mm)	BZAB-0236- S	199.74	215.70	285.19	302.35
3H						
38"(965mm)	30"(762mm)	BZAB-0330- S	\$213.14	\$230.16	\$304.36	\$322.69
	36"(914mm)	BZAB-0336- S	228.12	246.33	325.80	345.42
Personal Storage Tower with Wardrobe						
49"(1245mm)	24"(610mm)	BZAB-4924- S	\$215.51	\$232.72	\$307.75	\$326.27
57"(1448mm)		BZAB-5724- S	228.12	246.33	325.80	345.42
65"(1651mm)		BZAB-6524- S	240.74	259.94	343.84	364.56
73"(1854mm)		BZAB-7324- S	253.35	273.56	361.89	383.70
Stack-On Storage						
19"(483mm)	30"(762mm)	BZAB-1930- S	\$175.69	\$189.75	\$250.78	\$265.86
	36"(914mm)	BZAB-1936- S	183.18	197.83	261.50	277.22
27"(686mm)	30"(762mm)	BZAB-2730- S	\$191.46	\$206.77	\$273.34	\$289.78
	36"(914mm)	BZAB-2736- S	202.10	218.25	288.57	305.94
31"(787mm)	30"(762mm)	BZAB-3130- S	\$199.34	\$215.28	\$284.62	\$301.75
	36"(914mm)	BZAB-3136- S	211.56	228.46	302.11	320.29
35"(889mm)	30"(762mm)	BZAB-3530- S	\$207.23	\$223.78	\$295.90	\$313.71
	36"(914mm)	BZAB-3536- S	221.03	238.67	315.64	334.65
39"(991mm)	30"(762mm)	BZAB-3930- S	\$215.11	\$232.29	\$307.18	\$325.68
	36"(914mm)	BZAB-3936- S	230.49	248.88	329.18	349.01
43"(1092mm)	30"(762mm)	BZAB-4330- S	\$223.00	\$240.80	\$318.46	\$337.64
	36"(914mm)	BZAB-4336- S	239.95	259.09	342.72	363.36
47"(1194mm)	30"(762mm)	BZAB-4730- S	\$230.88	\$249.31	\$329.74	\$349.60
	36"(914mm)	BZAB-4736- S	249.41	269.30	356.25	377.72
55"(1397mm)	30"(762mm)	BZAB-5530- S	\$246.65	\$266.32	\$352.30	\$373.53
	36"(914mm)	BZAB-5536- S	268.33	289.72	383.32	406.43
Wardrobes						
49"(1245mm)	12"(305mm)	BZAB-4912- S	\$176.87	\$191.03	\$252.48	\$267.65
	18"(457mm)	BZAB-4918- S	196.19	211.87	280.11	296.96
57"(1448mm)	12"(305mm)	BZAB-5712- S	\$183.18	\$197.83	\$261.50	\$277.22
	18"(457mm)	BZAB-5718- S	205.65	222.08	293.65	311.32
65"(1651mm)	12"(305mm)	BZAB-6512- S	\$189.49	\$204.64	\$270.52	\$286.79
	18"(457mm)	BZAB-6518- S	215.11	232.29	307.18	325.68
73"(1854mm)	12"(305mm)	BZAB-7312- S	\$195.80	\$211.45	\$279.55	\$296.36
	18"(457mm)	BZAB-7318- S	224.57	242.50	320.72	340.03

Features

- Includes .75"(19mm) thick finished back and attachment hardware for use with Compose storage units:
 - pedestals, files; lateral or open, combination, storage units, personal storage towers with wardrobe, wardrobes and stack-on storage.
- For use with a single unit in a side-by-side application.
- Field installed.

Specification Tips

- Provides a finished back panel in an exposed storage back application.
- Provides a finished back in a storage supported convergent worksurface application.
- Finished Back adds .75"(19mm) to depth of the unfinished inset back storage unit.
- Refer to Specification Guide for planning information.

To Order, Specify:

- 1) Product number, including:

① Back Options:

- L** Laminate
- W** Wood

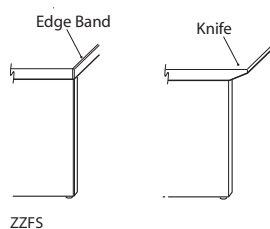
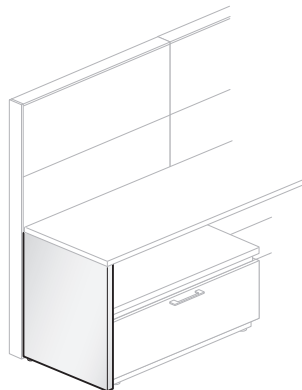
② Unit Base Type:

- E** Side Panel Base
- M** Legs/Plinth Base

- 2) Wood or laminate surface color.
- 3) Laminate back edge trim color, if applicable.

Worksurface Support Panel

Worksurface Support Panel — For use with Panel Mounted Adaptable Worksurfaces



Height	Thickness	Depth	Number	①	Laminate A	B	Wood Group A	Group B
Laminate								
26.5"(673mm)	1.5"(38mm)	18"(457mm)	ZZFS-1827-LNE		\$336.41	\$356.27	N/A	N/A
		24"(610mm)	ZZFS-2427-LNE		363.13	384.50	N/A	N/A
		30"(762mm)	ZZFS-3027-LNE		389.85	412.73	N/A	N/A
27.5"(699mm)	1.5"(38mm)	18"(457mm)	ZZFS-1800-LNE		\$327.85	\$351.31	N/A	N/A
		24"(610mm)	ZZFS-2400-LNE		353.17	374.77	N/A	N/A
		30"(762mm)	ZZFS-3000-LNE		378.49	398.23	N/A	N/A
Wood								
26.5"(673mm)	1.5"(38mm)	18"(457mm)	ZZFS-1827-WNE		N/A	N/A	\$588.41	\$604.54
		24"(610mm)	ZZFS-2427-WNE		N/A	N/A	627.72	645.74
		30"(762mm)	ZZFS-3027-WNE		N/A	N/A	667.03	686.94
27.5"(699mm)	1.5"(38mm)	18"(457mm)	ZZFS-1800-WNE		N/A	N/A	\$570.15	\$626.30
		24"(610mm)	ZZFS-2400-WNE		N/A	N/A	602.73	663.20
		30"(762mm)	ZZFS-3000-WNE		N/A	N/A	635.31	700.10

Features

- Includes worksurface support panel with glides and mounting hardware.
- Available in laminate or wood:
 - Laminate or wood surfaces with plastic or wood edge trim, 3mm radiused user edge provides soft access to knee space.
- Installs in Compose System panel frame component slots and attaches under the end of a worksurface.
- Provides full support for one end of equal depth worksurfaces.
- Recommended in heavy loading conditions.
- Non-handed design may be installed in left-hand, right-hand or shared configuration.
- Adjustable glides provide a maximum of 2.5"(63mm) of height adjustment.

Specification Tips

- Specify worksurface support panel to match worksurface edge option.
- 26.5"(673mm) high support panel used with 1.19"(30mm) thick worksurface provides 28"(711mm) user height worksurface; intended for a nested application.
- 27.5"(699mm) high support panel used with 1.19"(30mm) thick worksurface provides 29"(737mm) user height worksurface.
- Refer to Specification Guide for planning information.

To Order, Specify:

Laminate Surface

- 1) Product number, including:

① Edge Options:

- J Edgeband
- F Knife

- 2) Laminate surface color.

- 3) Edge trim color.

Wood Surface

- 1) Product number, including:

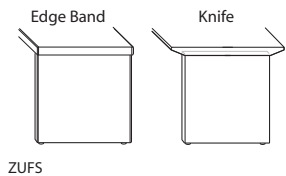
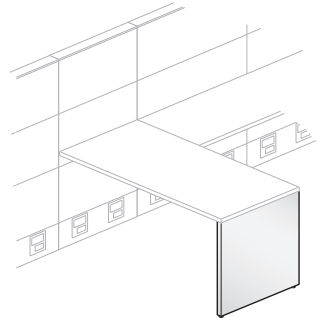
① Edge Options:

- K Wood Edgeband
- U Knife Edge

- 2) Wood finish for surface/edge.

Worksurface Support End

Desk Height – Worksurface Support End — For use with Convergent Worksurface



ZUFS

Height	Thickness	Depth	Number	①	Laminate A	B	Wood Group A	Group B
Laminate								
26.5"(673mm)	1.5"(38mm)	24"(610mm)	ZUFS-2427-LNF	S	\$237.28	\$311.53	N/A	N/A
		30"(762mm)	ZUFS-3027-LNF	S	269.08	343.33	N/A	N/A
		36"(914mm)	ZUFS-3627-LNF	S	300.88	375.13	N/A	N/A
27.5"(699mm)	1.5"(38mm)	24"(610mm)	ZUFS-2428-LNF	S	\$245.23	\$319.48	N/A	N/A
		30"(762mm)	ZUFS-3028-LNF	S	277.03	351.28	N/A	N/A
		36"(914mm)	ZUFS-3628-LNF	S	308.83	383.08	N/A	N/A
Wood								
26.5"(673mm)	1.5"(38mm)	24"(610mm)	ZUFS-2427-WNF	S	N/A	N/A	\$467.96	\$523.66
		30"(762mm)	ZUFS-3027-WNF	S	N/A	N/A	523.64	603.22
		36"(914mm)	ZUFS-3627-WNF	S	N/A	N/A	579.32	682.78
27.5"(699mm)	1.5"(38mm)	24"(610mm)	ZUFS-2428-WNF	S	N/A	N/A	\$481.21	\$542.21
		30"(762mm)	ZUFS-3028-WNF	S	N/A	N/A	536.89	621.77
		36"(914mm)	ZUFS-3628-WNF	S	N/A	N/A	592.57	701.33

Features

- Includes one worksurface support end with glides and attachment hardware.
- Installs beneath adaptable convergent worksurface.
- Available in laminate or wood:
 - Laminate or wood surfaces with plastic or wood edge trim, 3mm radiused user edge provides soft access to knee space.
- Adjustable glides provides a maximum of 2.5" (64mm) height adjustment range.
- Non-handed design.

Specification Tips

- Provides full support for one end of equal depth adaptable convergent worksurface.
- Specify worksurface support end to match adaptable convergent worksurface edge option.
- Refer to Specification Guide for planning information.

To Order, Specify:

Laminate Surface

- 1) Product number, including:

① Edge Options:

- J** Edgeband
- F** Knife

- 2) Laminate surface color.

- 3) Edge trim color.

Wood Surface

- 1) Product number, including:

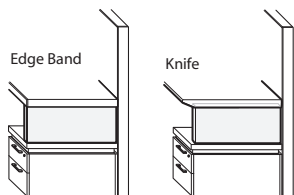
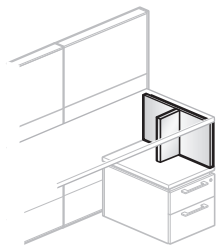
① Edge Options:

- K** Wood Edgeband
- U** Knife Edge

- 2) Wood finish for surface/edge.

Worksurface Support End

1H Worksurface Support End



BZHU

Height	Nominal Depth	Number ①	Laminate A	B	Wood Group A	Group B
Laminate						
11"(279mm)	18"(457mm)	BZHU-1811-LNF	\$253.24	\$273.10	N/A	N/A
	24"(610mm)	BZHU-2411-LNF	272.04	293.41	N/A	N/A
	30"(762mm)	BZHU-3011-LNF	290.84	313.72	N/A	N/A
	36"(914mm)	BZHU-3611-LNF	309.64	334.03	N/A	N/A
12"(305mm)	18"(457mm)	BZHU-1812-LNF	\$253.24	\$273.10	N/A	N/A
	24"(610mm)	BZHU-2412-LNF	272.04	293.41	N/A	N/A
	30"(762mm)	BZHU-3012-LNF	290.84	313.72	N/A	N/A
	36"(914mm)	BZHU-3612-LNF	309.64	334.03	N/A	N/A
Wood						
11"(279mm)	18"(457mm)	BZHU-1811-WNF	N/A	N/A	\$433.23	\$444.41
	24"(610mm)	BZHU-2411-WNF	N/A	N/A	464.62	477.69
	30"(762mm)	BZHU-3011-WNF	N/A	N/A	496.01	510.97
	36"(914mm)	BZHU-3611-WNF	N/A	N/A	527.40	544.25
12"(305mm)	18"(457mm)	BZHU-1812-WNF	N/A	N/A	\$433.23	\$444.41
	24"(610mm)	BZHU-2412-WNF	N/A	N/A	464.62	477.69
	30"(762mm)	BZHU-3012-WNF	N/A	N/A	496.01	510.97
	36"(914mm)	BZHU-3612-WNF	N/A	N/A	527.40	544.25

Features

- Includes finished T-shaped support end panel and attachment hardware.
- Available in laminate or wood:
 - Laminate or wood surfaces with plastic or wood edgeband trim.
- Edge Options must match panel mounted worksurface edge.
- Provides worksurface end support; used with 1H storage.
- Non-handed design.

Specification Tips

- 1H lower storage unit
 - Must have a separately specified Compose Storage top; attaches to lower storage unit at bench height.
 - May have finished or unfinished top or a spacer.
- 1H worksurface support end does not attach into Compose panel slots.
- Refer to Specification Guide for planning information.

To Order, Specify:

Laminate Surface

- 1) Product number, including:

① Edge Options:

- J Edgeband
- F Knife

- 2) Laminate surface color.
- 3) Edge trim color.

Wood Surface

- 1) Product number, including:

① Edge Option

- K Wood Edgeband
- U Knife Edge

- 2) Wood finish for surface/edge.

This page intentionally blank

Specification Guide Compose Storage

This page intentionally left blank.

Table of Contents – Compose Storage

Product Overview – Compose Storage

Introduction to Compose Storage.....	48
--------------------------------------	----

Product Details – Compose Storage

Spacer / Storage Top Options	51
Base and Leg Options	52
Unfinished Inset Back / Finished Back	53
Drawer Construction Options	55
Drawer Pull Options	56
Touch Latch Doors	57
Lower Storage Unit - Counterweight	58
Lock / Quantity and Location	59
Wood Grain Direction	60
Storage Tops	63
Lower Storage – Dimensions.....	64
Upper Storage – Dimensions	66
Full Height Storage – Dimensions.....	67
Spacer – Dimensions	68
Storage Capacities / Interior Dimensions – Pedestal and File Drawer Load Capacity.....	69
Storage Capacities / Interior Dimensions – Planning with Shelves / Interior Dimensions	70
Storage Height – Application Planning – Planning with / without Spacers.....	76
Storage Depth – Application Planning – Planning with / without Finished Back	77
Base / Leg – Application Planning – Dimensions.....	78
Storage Tops – Dimensions	80
Worksurface Supports and Bracket – Dimensions.....	81

Product Applications – Compose Storage

Planning With Spacers – Aesthetics	84
Planning With Spacers and Adaptable Worksurface Edge Options.....	85
Planning With Individual and Common Storage Tops	87
Planning With Continuous Storage Tops.....	89
Planning With Off-Modular Storage Tops / Nested Storage Application.....	90
Planning With A Convergent Worksurface / Slip-Fit Application	91
Planning With One-High Worksurface Support End	92
Planning With One-High Worksurface Support End / Panel Application	93
Planning With One-High Worksurface Support End / Freestanding Application.....	95
Planning With One-High Worksurface Support End.....	97
Planning With Stack-On Storage Units.....	98
Planning With Worksurface Support Brackets In A Panel Application	103
Planning With Storage-To-Panel Bracket.....	104
Planning With Worksurface Support Brackets In A Panel Application	111

Technical Specifications – Compose Storage

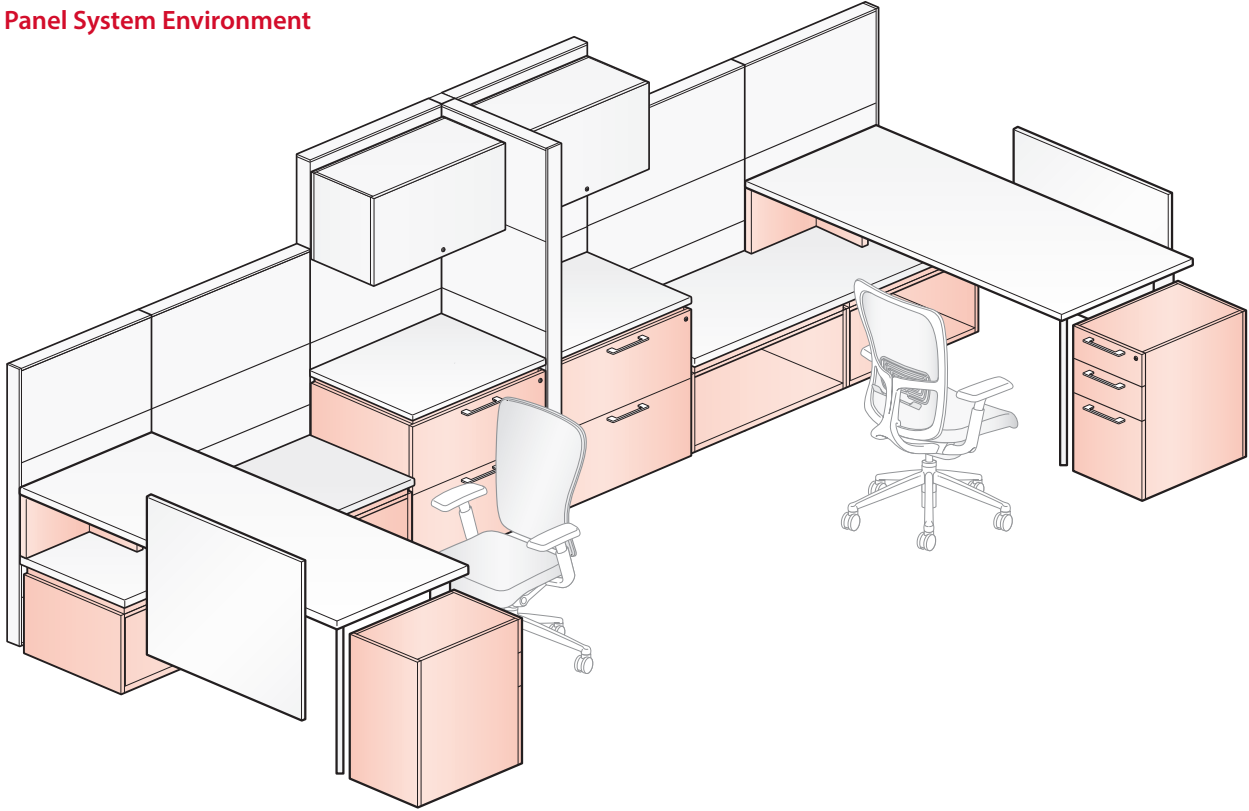
Technical Specifications	114
--------------------------------	-----

Product Overview – Compose Storage

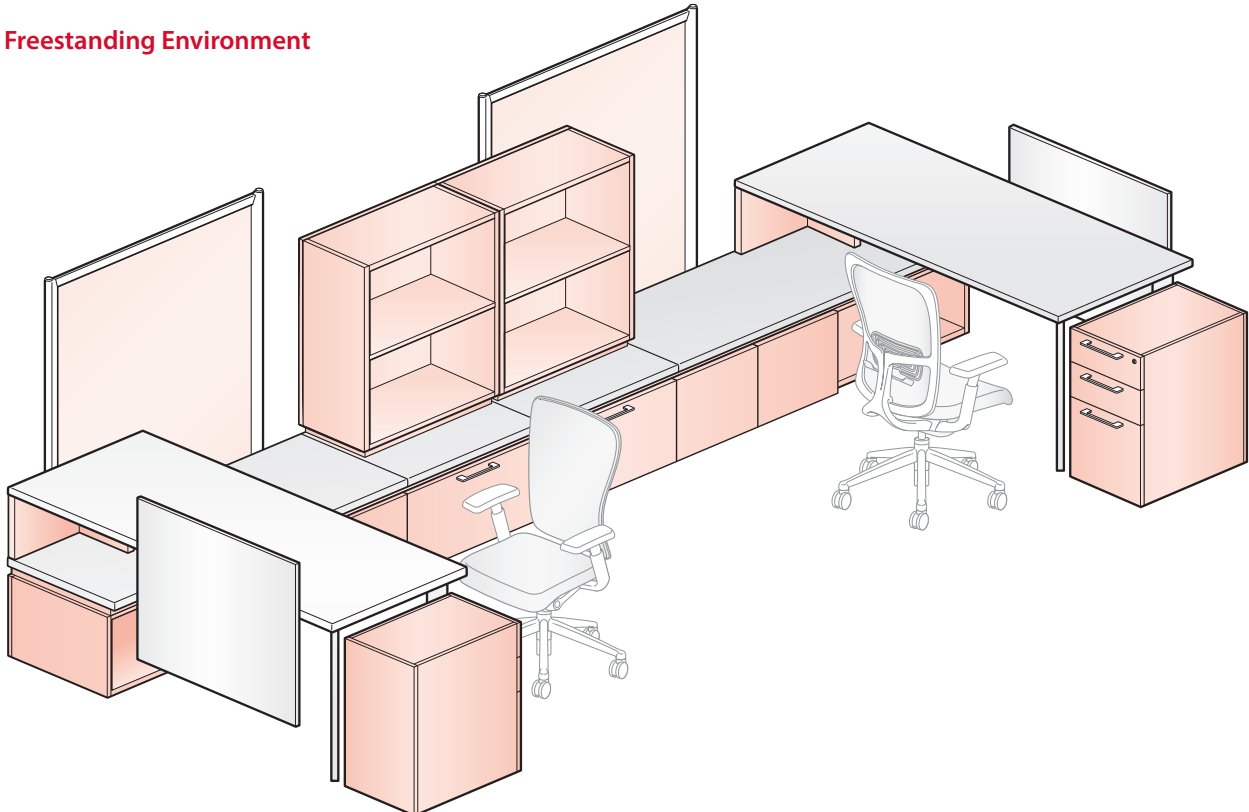
Introduction to Compose Storage

Compose Storage is designed to work in a panel application or in a freestanding environment. Compose Storage solutions provide scalability of application and price.

Panel System Environment



Freestanding Environment



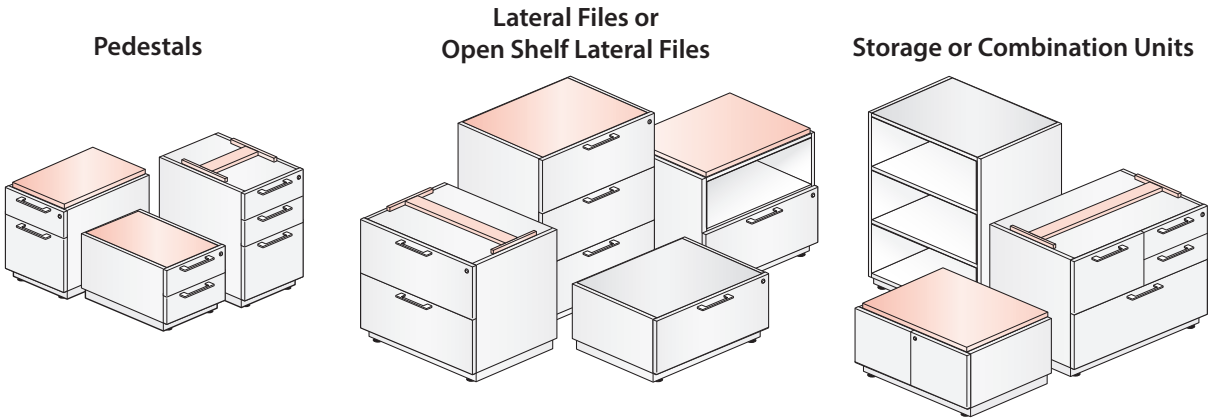
Product Details – Compose Storage

This page intentionally left blank.

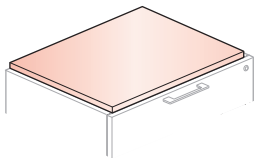
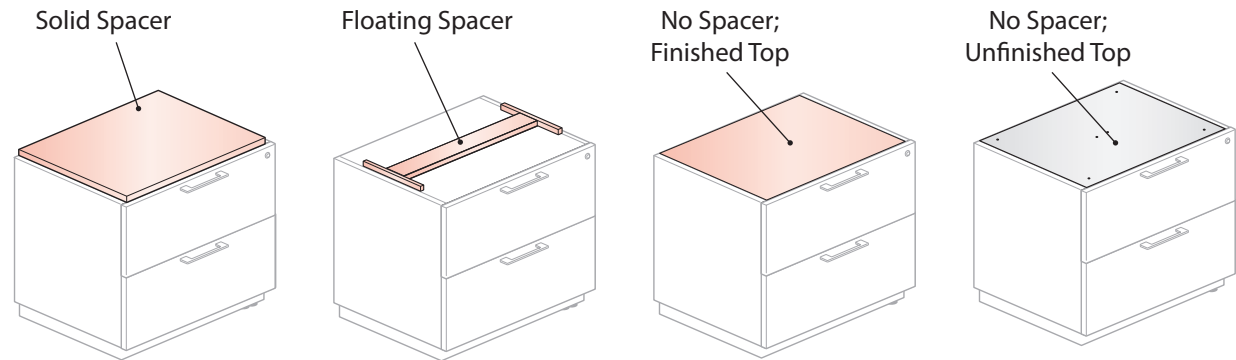
Product Details – Compose Storage

Spacer / Storage Top Options

Spacer/Top selection is a functional option required for lower storage elements. Spacer Top Section is independent of base or pull options

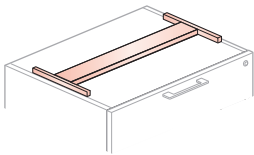


Spacer/Top Options



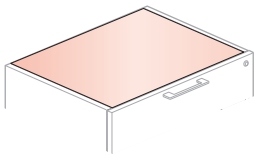
Solid Spacer

The top of the solid spacer is unfinished and must be used with an Adaptable Worksurface or a Storage Top. The solid spacer is available with plastic edge trim or wood edge trim.



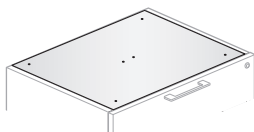
Floating Spacer

The top of the lower storage case is finished with the floating spacer option. The spacer requires a trim finish selection. The floating spacer must be used with an Adaptable Worksurface or a Storage Top.



Finished Top (No Spacer)

The top of the lower storage case is finished. Does not require an Adaptable Worksurface or a Storage Top.



Unfinished Top (No spacer)

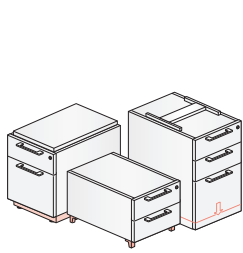
The top of the lower storage case is unfinished. Requires use with an Adaptable Worksurface or a Storage Top.

- Tips** • The height of a Two-High lower storage element with a solid or floating spacer is 28" high.
- The height of a Two-High lower storage element without spacer with an unfinished or finished top is 26.9" high.

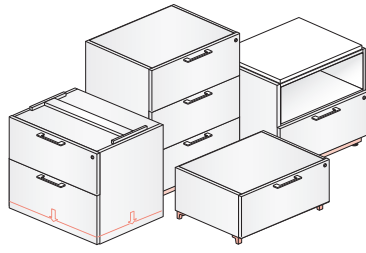
Product Details – Compose Storage

Base and Leg Options

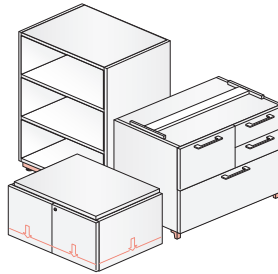
Base/Leg selection is a functional option required for lower and full-height storage elements.



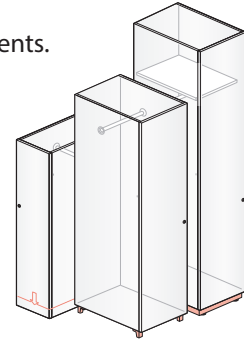
Pedestals



Lateral Files or
Open Shelf Lateral Files

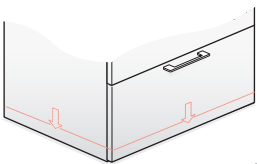


Storage or
Combination Units



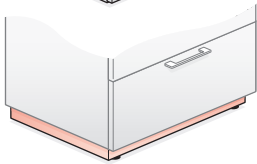
Wardrobes

Base / Leg Options



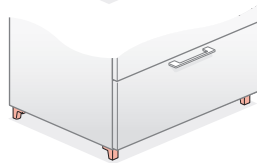
Side Panel Base

The Side Panel Base provides a clean aesthetic; both sides of the storage unit extend to the floor leaving a slight gap below the bottom of the lower storage element.



Plinth Base

The Plinth Base is recessed on all sides which aesthetically mirrors the location of the solid spacer on the top of the lower storage element.



Chamfer Leg

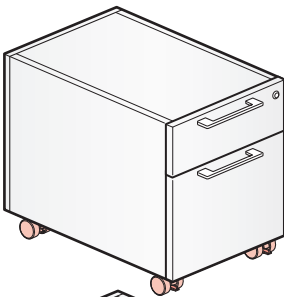
The Chamfer leg provides a light aesthetic with an open space below the bottom of the lower storage element.

Tips • Base leg selection is independent of Base Top Selection.

Mobile Pedestal — Base Options

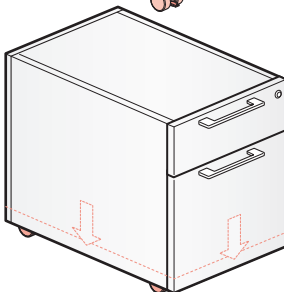
Caster selection is a functional option required for mobile pedestals. Available in two caster options.

- Exposed Caster Base option has locking casters – Side Panel Base does not.



Exposed Caster Base

The Caster Base Leg provides a light aesthetic with an open space below the bottom of the lower storage element.



Side Panel Caster Base

The Side Panel Caster Base provides a clean aesthetic; both sides of the storage unit extend to the floor leaving a slight gap below the bottom of the lower storage element.

Tips • Side Panel Mobile Pedestals line up with stationary storage.

Product Details – Compose Storage

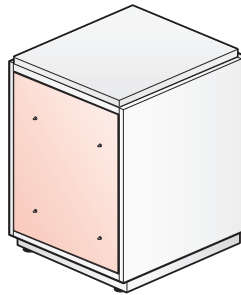
Unfinished Inset Back / Finished Back

Lower storage elements are standard with an unfinished, inset back with one exception; the mobile pedestal is standard with a finished back.

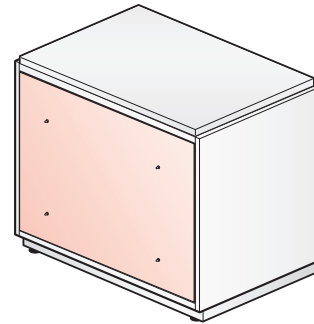
Unfinished – Inset Back

- Pedestal
- Lateral File
- Open Shelf Lateral File
- Combination Unit
- Storage Unit
- Stack-on Storage
- Wardrobe
- Personal Storage Tower With Wardrobe

Pedestals



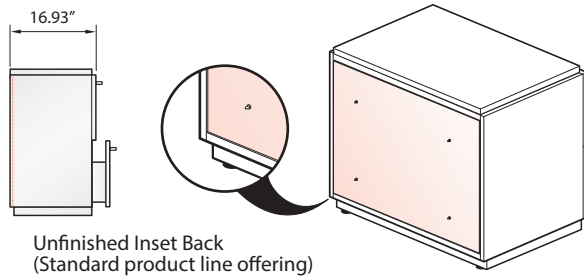
Lateral Files
Open Shelf Lateral Files
Combination Units
Storage Units



Finished Back (Separately Specified)

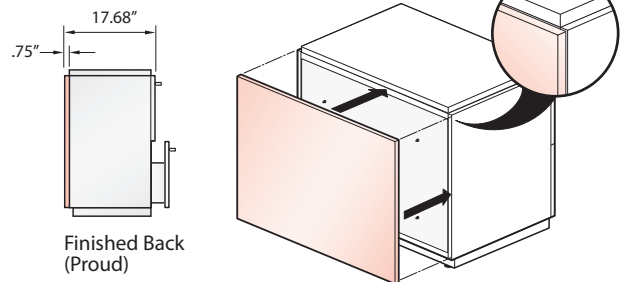
An optional finished back is available as a separately specified component. For use in product applications when the back of the storage element is visually exposed.

Unfinished Inset Back - Detail



Unfinished Inset Back
(Standard product line offering)

Separately Specified Finished Back



Finished Back
(Proud)

Installed Detail:
Finished Back
(Proud)

A separately specified finished back is available for all products except the Mobile Pedestal and the Personal Storage Tower With Side Bookcase.

Note A finished back is proud to the storage element and adds .75" to the standard unfinished inset back storage depth.

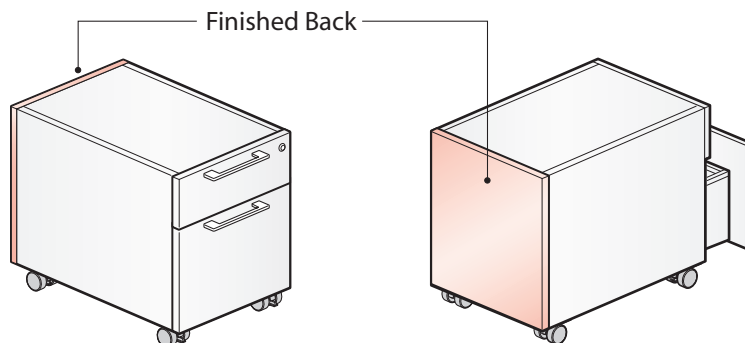
Finished Back

Mobile Pedestal

- Mobile Pedestal is standard with a finished back.

Personal Storage Tower With Side Bookcase

- Personal Storage Tower With Side Bookcase is standard with a finished back.



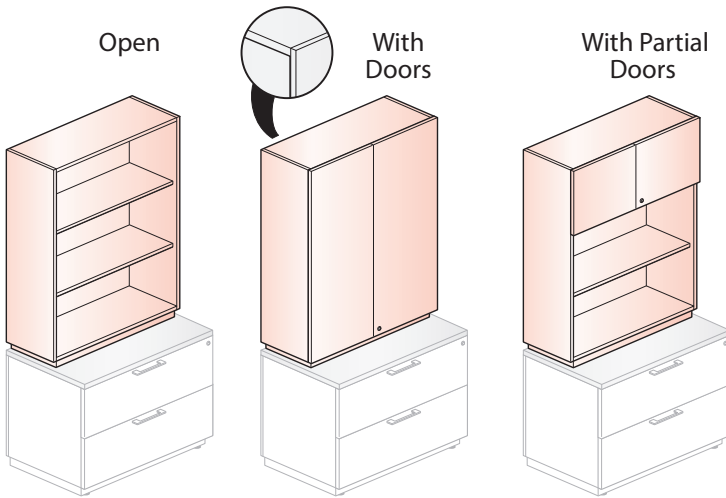
Product Details – Compose Storage

Unfinished Back / Finished Back

Stack-on and Full Height Storage Units are standard with unfinished inset back with one exception, the Personal Storage Tower With Side Bookcase is standard with a finished back.

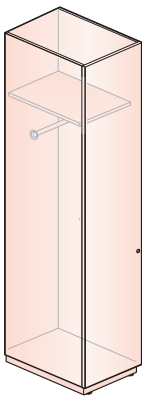
Stack-on Storage

Upper storage units are standard with a unfinished back.

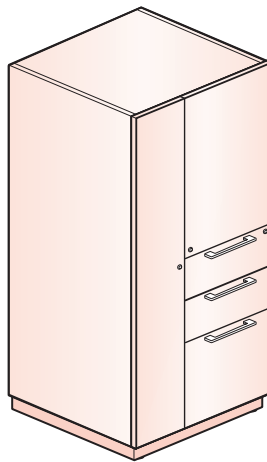


Note Lower Storage must have finished top when stacking Upper Storage.

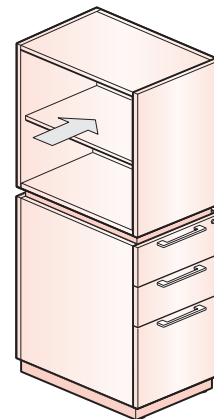
Full-Height Storage



Wardrobe
Wardrobe is standard with an unfinished back.



Personal Storage Tower With Wardrobe
Personal Storage Tower with Wardrobe is standard with an unfinished back.



Personal Storage Tower With Side Bookcase
Personal Storage Tower with Side Bookcase is standard with a finished back.

Note

- Finished back adds $\frac{3}{4}$ " to depth of storage unit.
- All Upper Storage and Full Height Storage Units are standard with unfinished back with the exception of the Personal Storage Tower with Side Bookcase which comes standard with a finished back.

Product Details – Compose Storage

Drawer Construction Options

Drawer construction is a functional option required for product specification:

- Pedestal
- Lateral File
- Open Shelf Lateral File
- Combination Unit
- Personal Storage Towers

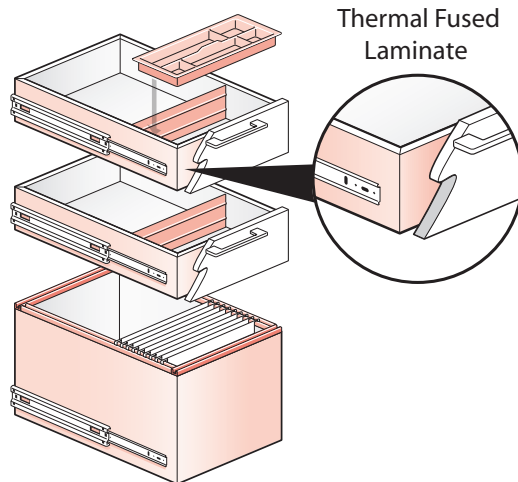
Compose Storage Elements With Drawers

Storage elements with drawers feature choice of drawer body construction, black miterfold or wood.

- Drawer construction option selected will be consistent within any storage unit with drawers.

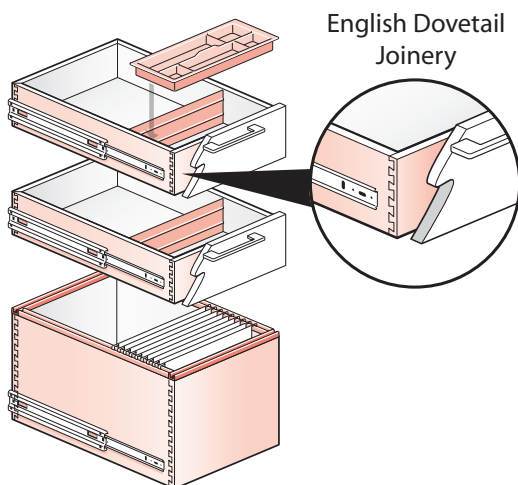
Drawer Options

Black Miterfold



- Thermal fused laminate on ½" thick particle board. Miterfold construction with dado-set bottom (Black).
- **Box Drawer Features:**
 - One Pencil Tray, shared. (Black, Polystyrene)
 - Drawer Dividers (Black, Polystyrene)
- **File Drawer Features:**
 - Integrated File Frame (Black)
 - 15 ¼" File Bar (Legal Width Only)
 - 12" File Bar (Letter, Deep Depth Only)

Wood Drawer



- Baltic-Birch ply (1/2" Thick) in English dovetail joinery with dado-set bottom (Clear Finish)
- **Box Drawer Features:**
 - One Pencil Tray, shared. (Black, Polystyrene)
 - Drawer Dividers (Black, Polystyrene)
- **File Drawer Features:**
 - Integrated File Frame (Black)
 - 15 ¼" File Bar (Legal Width Only)
 - 12" File Bar (Letter, Deep Depth Only)

File drawers (Pedestal and Lateral) feature an integrated filing frame and may include adjustable file-bar(s) for additional filing configurations. The integrated filing frame allows each file drawer to naturally support front-to-back or side-to-side filing options, including Redweld support in 24" deep units only.

Product Details – Compose Storage

Drawer Pull Options

Storage elements with drawers are available with a choice of pull options. Pulls are not offered for storage units with doors.

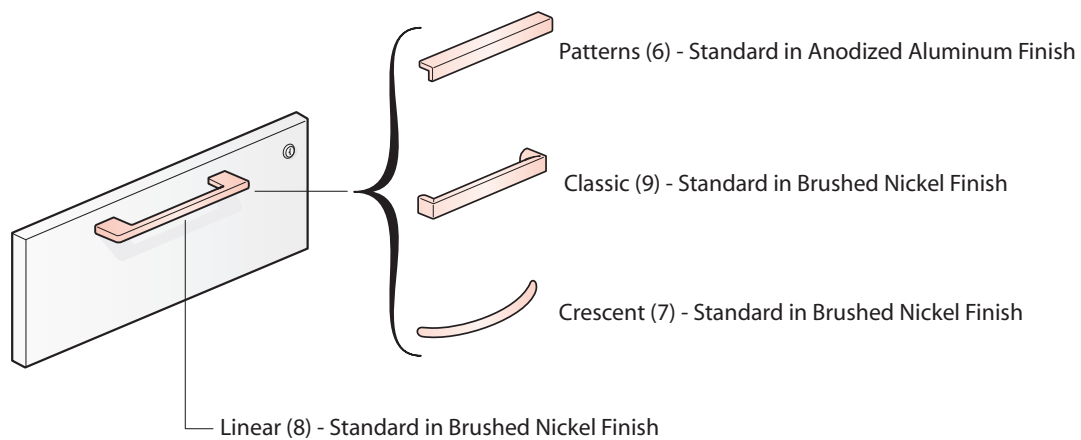
A drawer pull selection is a functional option required for product specification:

- Pedestal
- Lateral File
- Open Shelf Lateral File
- Combination Unit
- Personal Storage Towers

Drawer Pull Options

Proud Pull Options

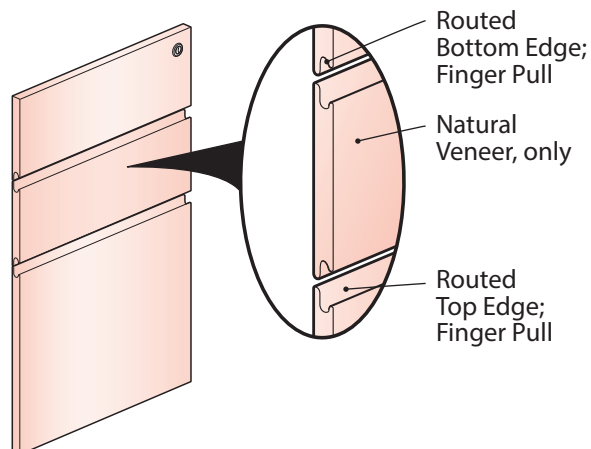
Interchangeable pull options within same type of storage unit; may be field retrofitted.



Integrated Pull Options

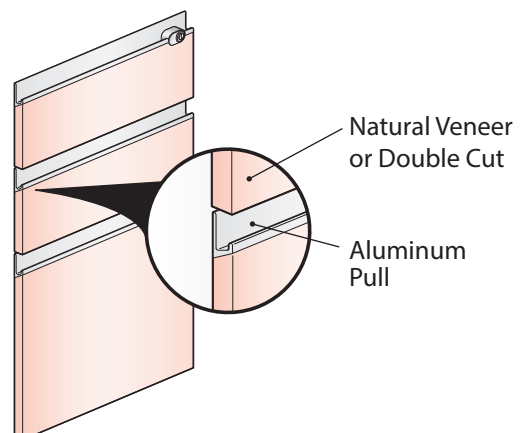
Wood J-Pull (F)

- Horizontally routed across drawer front
- Not available on Double-Cut veneer



Aluminum J-Pull (K)

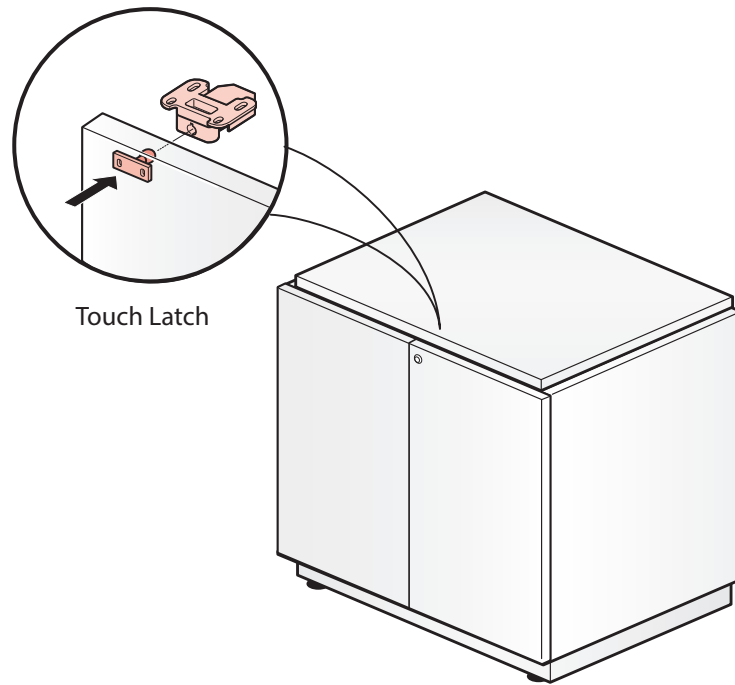
- Horizontally routed across drawer front
- Available on Natural and Double-Cut Veneer



Product Details – Compose Storage

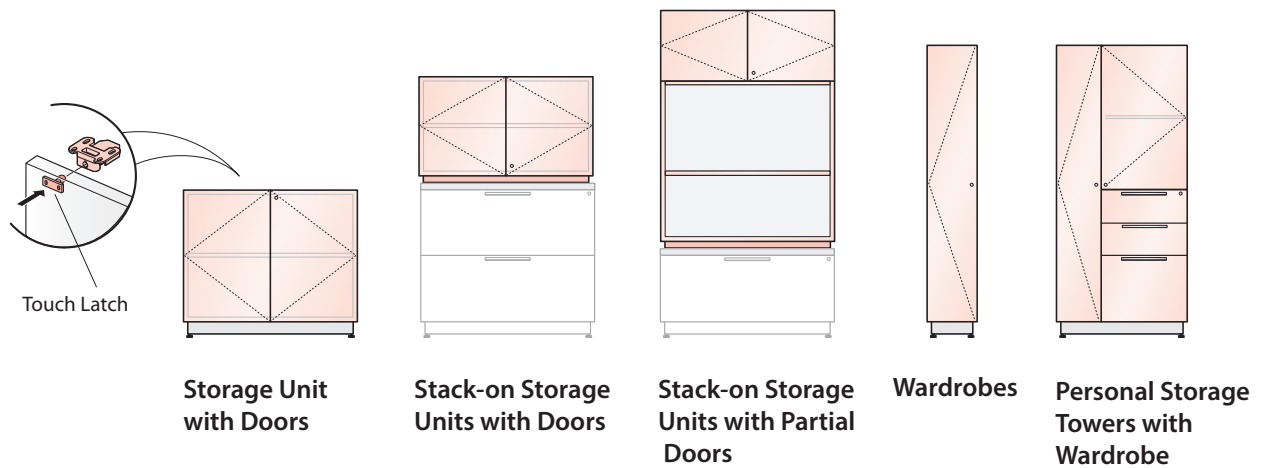
Lower, Upper and Full-Height Storage – Touch Latch Doors

Storage Elements with doors are standard with Touch Latch.



Touch Latch

Storage Elements Standard with Touch Latches



Storage Unit with Doors

Stack-on Storage Units with Doors

Stack-on Storage Units with Partial Doors

Wardrobes

Personal Storage Towers with Wardrobe

Product Details – Compose Storage

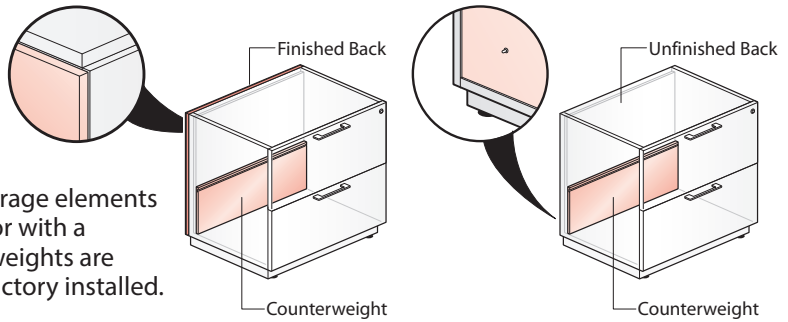
Lower Storage Unit - Counterweights

Counterweights are available as a functional option on the following lower storage elements:

- Pedestal
- Lateral Files
- Open Shelf Lateral Files
- Combination Units

Lower Storage Elements with Finished and Unfinished Backs

Counterweights may be used in lower storage elements with the standard inset, unfinished back or with a separately specified finish back. Counterweights are specified as a functional option and are factory installed.



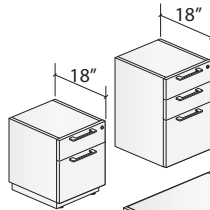
Do Require Counterweights — Must be specified as a functional option

Single Freestanding Lower Storage Elements

Pedestals

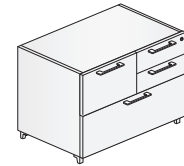
Single Freestanding
18" deep, only

- One and One-Half High
- Two High



Combination Units

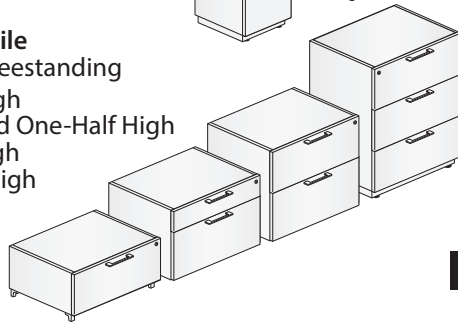
Single Freestanding
• Two High



Lateral File

Single Freestanding

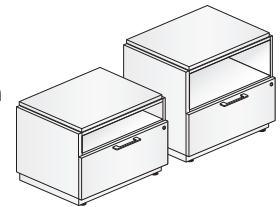
- One High
- One and One-Half High
- Two High
- Three High



Open Shelf Lateral File

Single Freestanding

- One and One-Half High
- Two High



Note

Counterweight is required in the above freestanding storage elements with or without a Compose Storage Individual Storage Top.



Don't Require Counterweights

Single Freestanding Lower Storage Elements

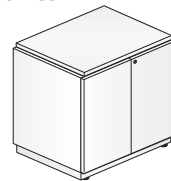
Pedestals

- One High; all depths
- One and One-Half High; 24" and 30" Deep
- Two High; 24" and 30" Deep



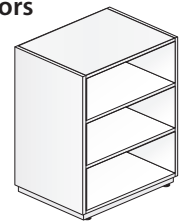
Storage Unit With Doors

- All Sizes



Storage Unit Without Doors

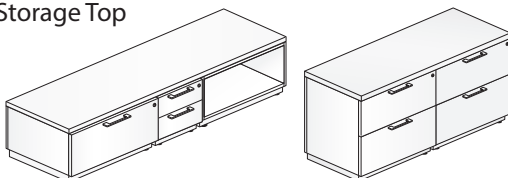
- All Sizes



Attached Lower Storage Elements

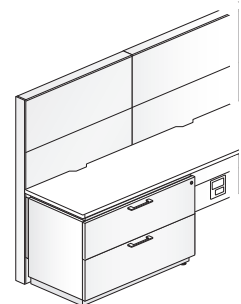
Common or Continuous Storage Top

Two or More Freestanding Lower Storage Units With A Separately Specified Common or Continuous Storage Top



Panel Mounted Elements

Panel mounted application when Lower Storage is attached to an Adaptable Worksurface.

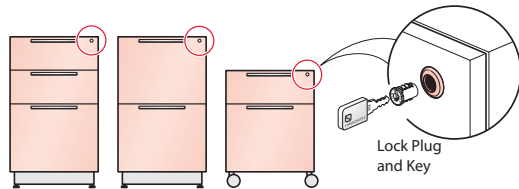


Product Details – Compose Storage

Lock / Quantity and Location

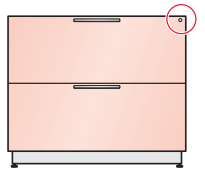
Compose Storage features lower and upper storage elements standard with lock plug and key. Upper Storage and Full height drawers are standard with lock plug and key doors available in a choice of non-locking or locking. Locking elements are standard with random key numbers per each element. Keyed-alike is available, specify as needed.

Lower Storage



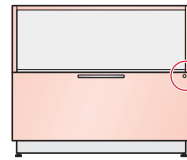
Pedestals

- Standard with one lock plug and key with each pedestal
- One-High
- One and Half-High
- Two-High



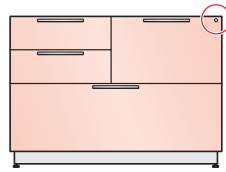
Lateral Files

- Standard with one lock plug and key with each lateral file
- One-High
- Two-High
- Three-High

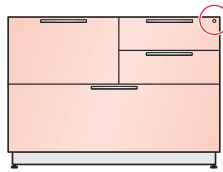


Open Shelf Lateral File

- Standard with one lock plug and key with each Open Shelf Lateral File (Two-High, only)



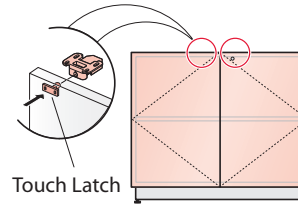
Left-Hand



Right-Hand

Combination Unit

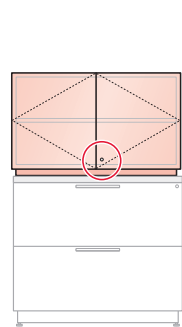
- Standard with one lock plug and key with each Combination Unit (Two-High, only)



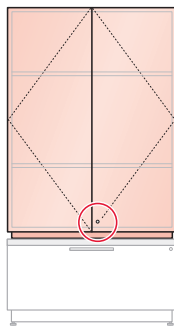
Storage Unit With Doors

- Standard with touch-latch
- One-High
- Two-High
- Three-High

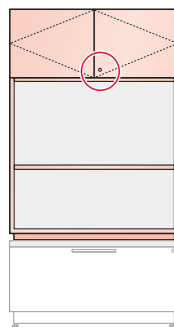
Upper Storage



Stack-on With Doors



Stack-on With Doors

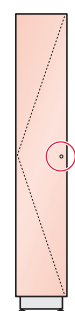


Stack-on With Partial Doors

Stack-on Storage

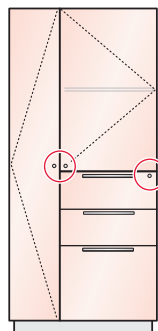
- Optional with one lock plug and key with each Stack-On unit with Doors or Partial Doors
- Standard with Touch-Latch

Full Height Storage



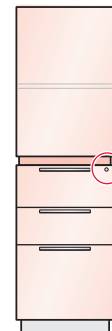
Wardrobe

- Optional with one lock plug and key
- Doors standard with Touch-Latch



Personal Storage Tower With Wardrobe

- Touch-latch doors on wardrobe and storage.
- Touch latch doors on the wardrobe and storage; both locking or both non-locking.
- Drawers standard with single lock.



Personal Storage With Side Bookcase

- Standard with one lock plug and key.

Product Details – Compose Storage

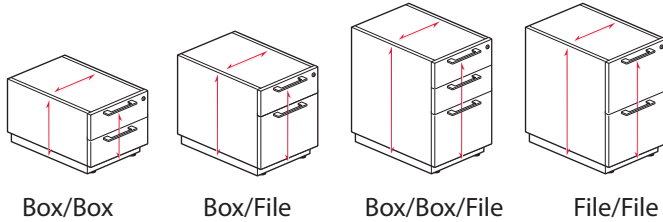
Product Features – Wood Grain Direction – Natural Veneer

Compose Storage is available in natural veneer or double-cut veneer. Refer to the illustrations below for wood grain direction for lower, upper and full height storage elements per each vertical and horizontal surface.

Natural Veneer Wood Grain Direction

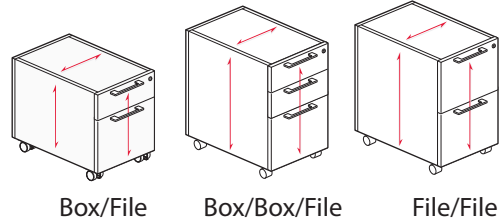
Pedestals

• With finished top option



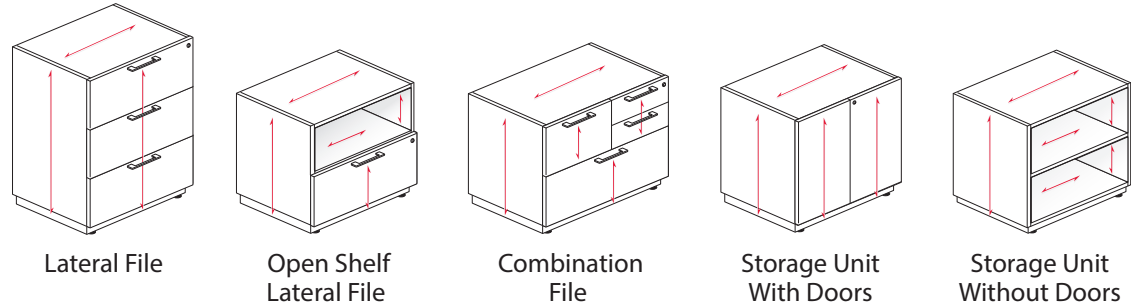
Mobile Pedestals

• Mobile pedestal standard with finished top



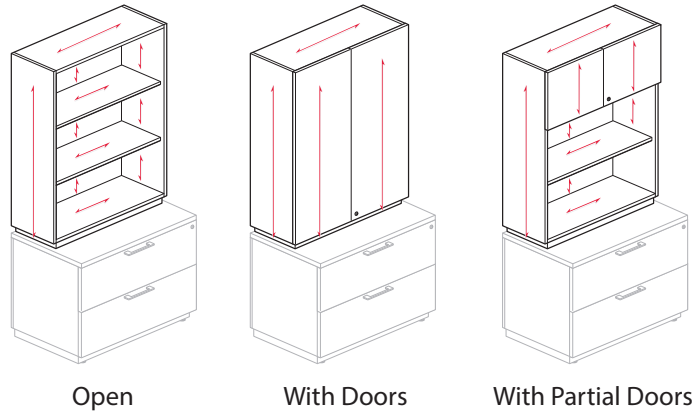
Files and Storage Units

• With finished top option



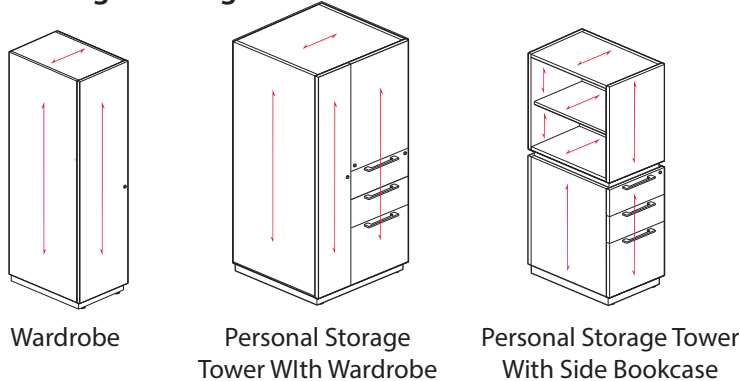
Stack-On Storage

• Standard with finished top



← Indicates Wood Grain Direction →

Full Height Storage



Product Details – Compose Storage

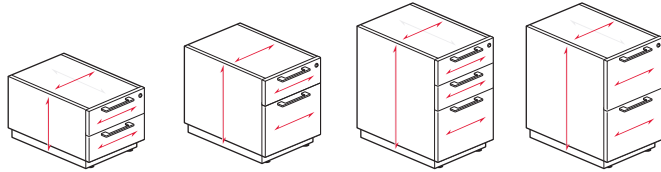
Product Features – Wood Grain Direction – Double Cut Veneer

Compose Storage is available in natural veneer or double cut-veneer. Refer to the illustrations below for wood grain direction for lower, upper and full height storage elements per each vertical and horizontal surface.

Double-Cut Veneer Wood Grain Direction

Pedestals

• With finished top option



Box/Box Box/File Box/Box/File File/File

Mobile Pedestals

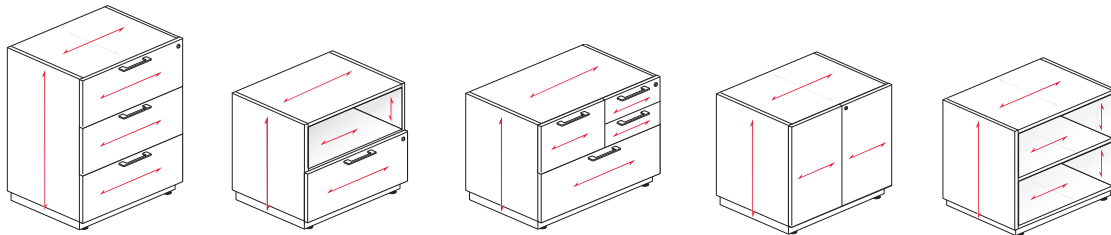
• Mobile pedestal standard with finished top



Box/File Box/Box/File File/File

Files and Storage Units

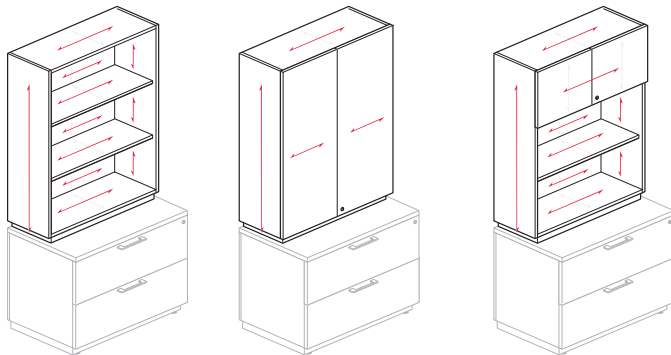
• With finished top option



Lateral File Open Shelf Lateral File Combination File Storage Unit With Doors Storage Unit Without Doors

Stack-On Storage

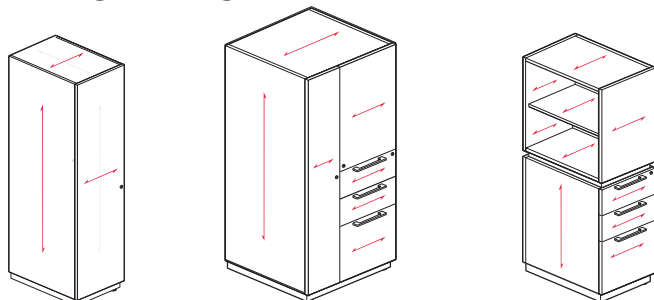
• Standard with finished top



Open With Doors With Partial Doors

↔
Indicates Wood Grain Direction

Full Height Storage



Wardrobe Personal Storage Tower With Wardrobe Personal Storage Tower With Side Bookcase

Product Details – Compose Storage

Storage Tops and Panels – Wood Grain Direction

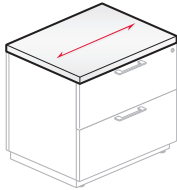
Compose Storage is available in natural veneer or double-cut veneer. Refer to the illustrations below for wood grain direction on components.

Natural Veneer And Double Cut Wood Grain Direction

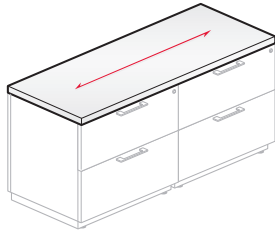
← Indicates Wood Grain Direction →

Storage Worktops

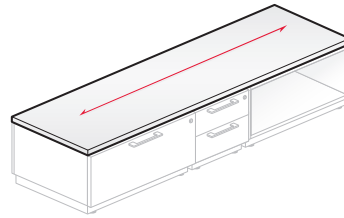
Individual Storage Top



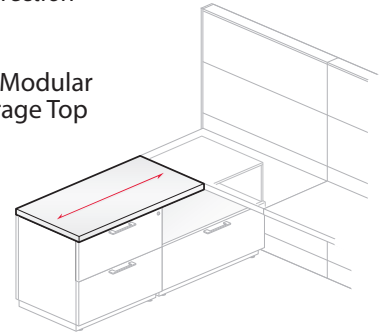
Common Storage Top



Continuous Storage Top



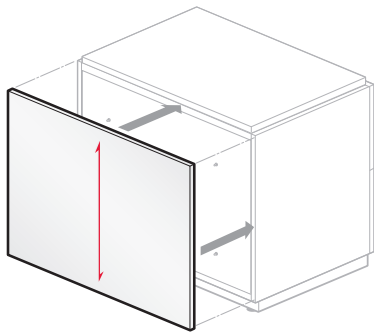
Off-Modular Storage Top



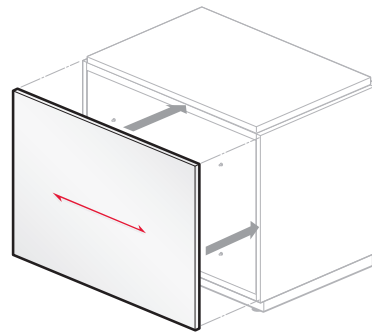
Note Front to back wood grain direction option available on certain width Worktops (See Price List).

Finished Back

Natural Veneer

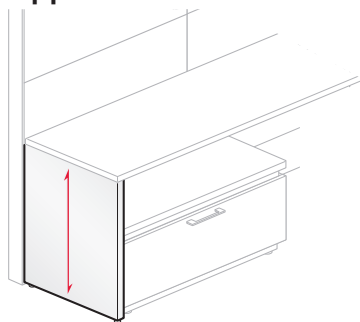


Double-Cut Veneer

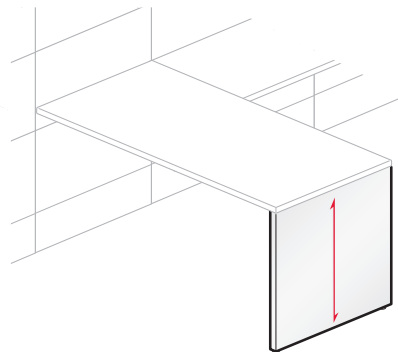


Note Wood Grain direction is the same for all Finished Back Heights.

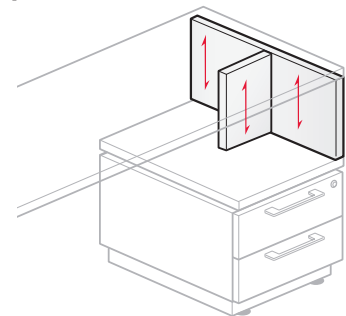
Worksurface Support Panel



Worksurface Support End



One-High Worksurface Support End



Product Details – Compose Storage

Storage Tops

Compose Storage Individual, Common, Continuous and Off-Modular Storage Tops are available in laminate, natural veneer and double cut veneer surfaces.

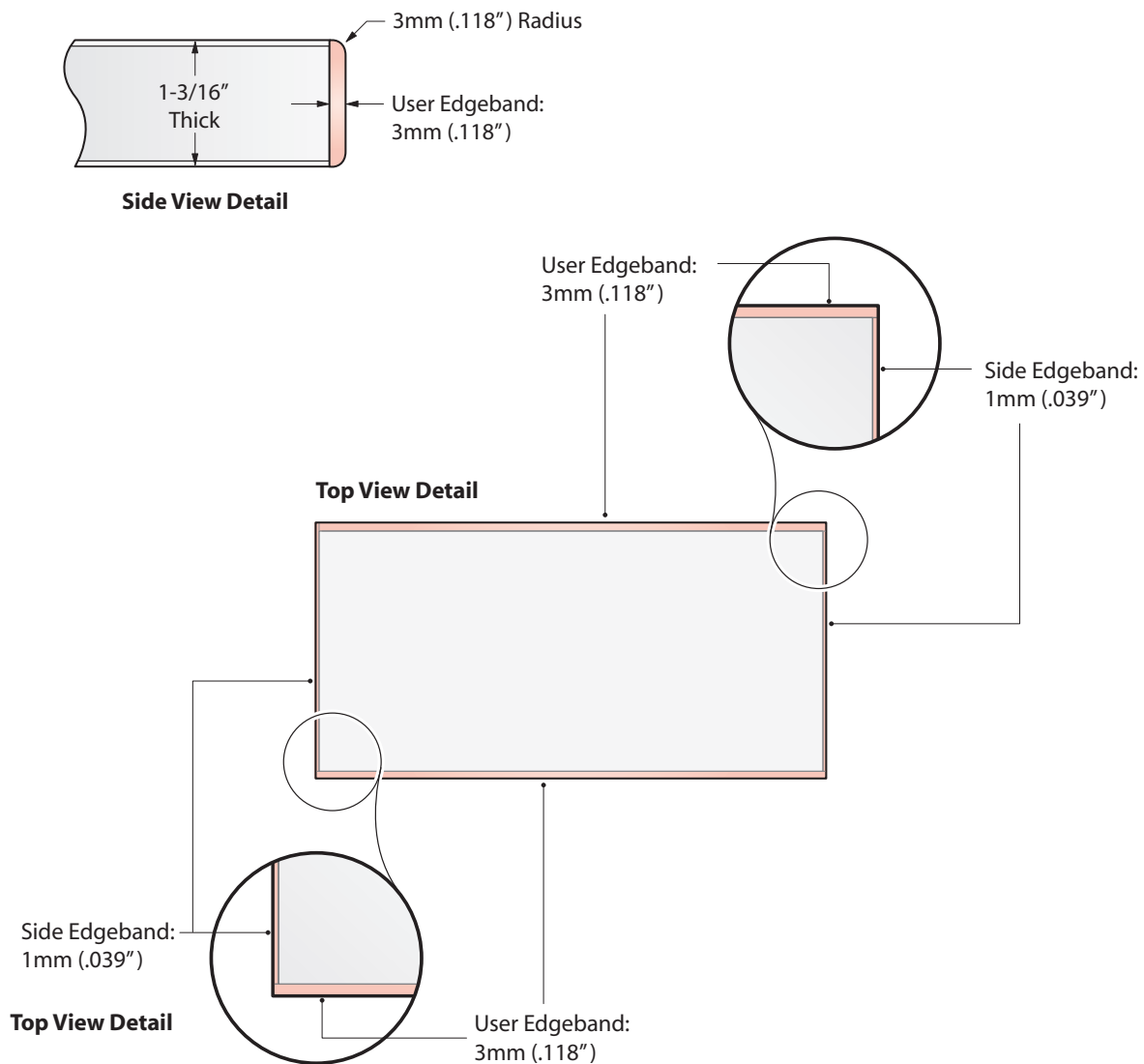
- **1 $\frac{3}{16}$ " Standard Core:** Engineered composite panel made with 100% recycled and/or recovered wood fiber bonded with resin, Worksurfaces with this core are compliant with GREENGUARD™ and ANSI/BIFMA standards for low emitting products.

Storage Top – Edge Detail

Laminate Surface Storage Top (L) 1 $\frac{3}{16}$ " thick; Standard with Edgeband

Wood Veneer Surface Storage Top (W) 1 $\frac{3}{16}$ " thick; Standard with Edgeband

- Front & back: 3mm edgeband
- Sides: 1mm edgeband



Product Details – Compose Storage

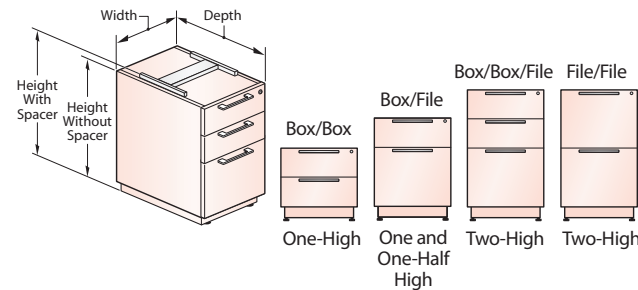
Lower Storage – Dimensions

The optional spacer for lower storage impacts the height of the storage element. The spacer – no spacer option effects the relationship of attached components(i.e. Adaptable worksurfaces and worksurface supports, etc.). Refer to the chart below for dimensions. Nominal dimensions are reflected in catalog logic. Actual dimensions are referenced for product application planning purposes.

All lower storage element are standard with an unfinished inset back, with the exception of the Mobile Pedestal which is standard with a finished back and top.

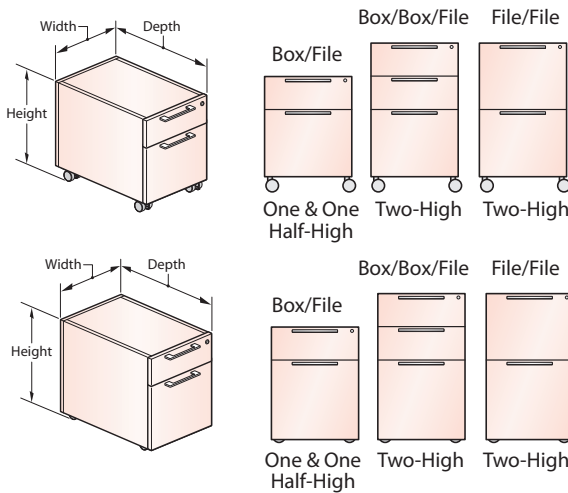
Note If a finished back is required it must be separately specified and will add 3/4" to the depth of the lower storage element.

Lower Storage Pedestal



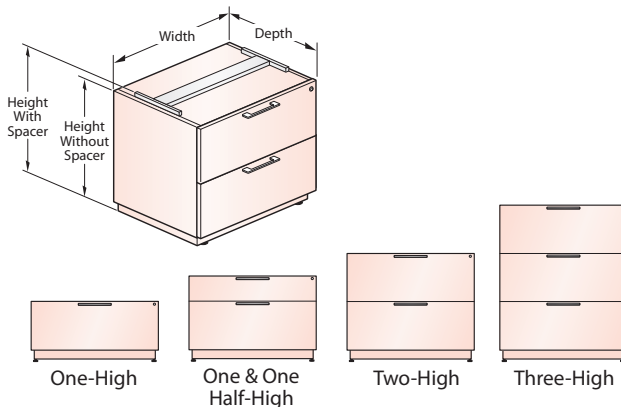
	Height Without Spacer	Height With Spacer	Width	Depth - Standard With Unfinished Inset Back
Nominal Dimensions				
One High:	15"	16"	16"	18" / 24"
One & One Half High:	21"	22"	16"	18" / 24"
Two High:	27"	28"	16"	18" / 24" / 30"
Actual Dimension				
One High:	14.8"	16"	15.5"	16.93" / 22.93"
One & One Half High:	20.9"	22"	15.5"	16.93" / 22.93"
Two High:	26.9"	28"	15.5"	16.93" / 22.93" / 28.93"

Mobile Pedestal



	Height	Width	Depth - Standard With Finished Back
Exposed Caster Base — Nominal Dimensions			
One & One Half High:	20"	16"	18" / 24"
Two High:	26"	16"	18" / 24"
Exposed Caster Base — Actual Dimension			
One & One Half High:	20.2"	15.5"	17.68" / 23.68"
Two High:	26.2"	15.5"	17.68" / 23.68"
Side Panel Caster Base — Nominal Dimensions			
One & One Half High:	21"	16"	18" / 24"
Two High:	27"	16"	18" / 24"
Side Panel Caster Base — Actual Dimension			
One & One Half High:	20.9"	15.5"	17.68" / 23.68"
Two High:	26.9"	15.5"	17.68" / 23.68"

Lateral File



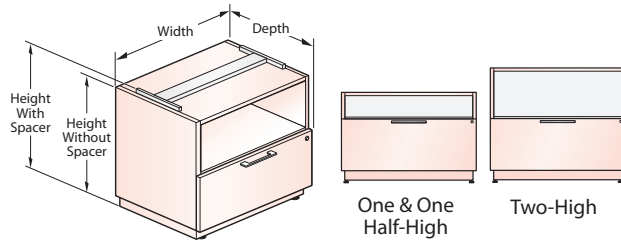
	Height Without Spacer	Height With Spacer	Width	Depth - Standard With Unfinished Inset Back
Nominal Dimensions				
One High:	15"	16"	30" / 36"	18" / 24"
One & One Half High:	21"	22"	30" / 36"	18" / 24"
Two High:	27"	28"	30" / 36"	18" / 24"
Three High:	39"	40"	30" / 36"	18" / 24"
Actual Dimension				
One High:	14.8"	16"	29.875" / 35.875"	16.93" / 22.93"
One & One Half High:	20.9"	22"	29.875" / 35.875"	16.93" / 22.93"
Two High:	26.9"	28"	29.875" / 35.875"	16.93" / 22.93"
Three High:	38.9"	40.1"	29.875" / 35.875"	16.93" / 22.93"

Note • One High Lateral File will accommodate a Pendaflex file folder without tabs. File drawer will not close if tabs are used.

Product Details – Compose Storage

Lower Storage – Dimensions

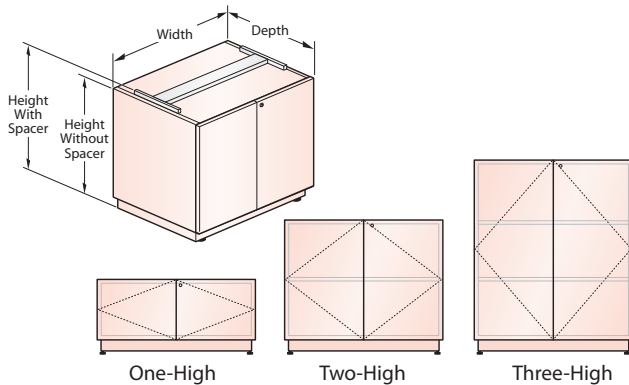
Open Shelf Lateral File



	Height Without Spacer	Height With Spacer	Width	Depth - Standard With Unfinished Inset Back
Nominal Dimensions				
One & One Half High:	21"	22"	30" / 36"	18" / 24"
Two High:	27"	28"	30" / 36"	18" / 24"
Actual Dimension				
One & One Half High:	20.9"	22"	29.88" / 35.88"	16.93" / 22.93"
Two High:	26.9"	28"	29.88" / 35.88"	16.93" / 22.93"

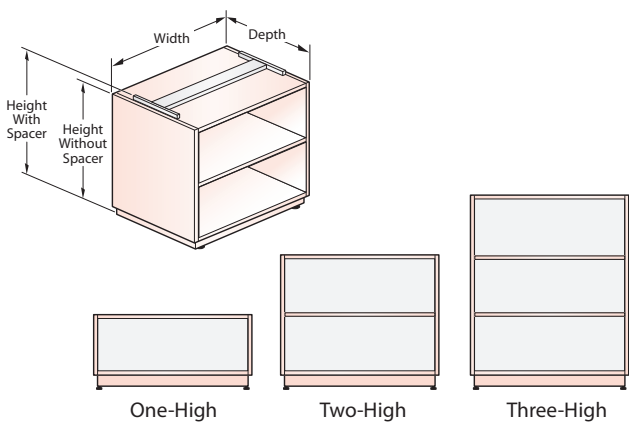
Note • The lateral file drawer will accommodate Pendaflex file folders without tabs. File drawer will not close if tabs are used. Exception; Two-High with Side Panel Base (option E) will accommodate tabs.

Storage Unit with Doors



	Height Without Spacer	Height With Spacer	Width	Depth - Standard With Unfinished Inset Back
Nominal Dimensions				
One High:	15"	16"	30" / 36"	18" / 24"
Two High:	27"	28"	30" / 36"	18" / 24"
Three High:	39"	40"	30" / 36"	18" / 24"
Actual Dimension				
One High:	14.8"	16"	29.88" / 35.88"	16.93" / 22.93"
Two High:	26.9"	28"	29.88" / 35.88"	16.93" / 22.93"
Three High:	38.9"	40.1"	29.88" / 35.88"	16.93" / 22.93"

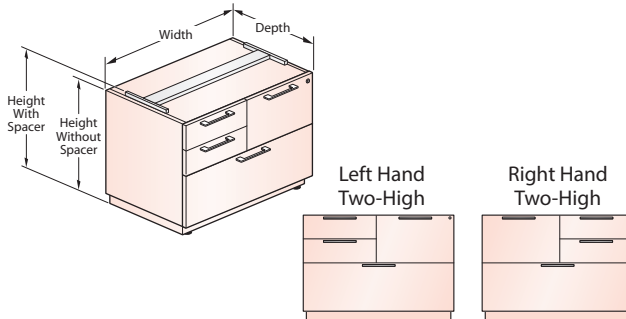
Storage Unit without Doors



	Height Without Spacer	Height With Spacer	Width	Depth - Standard With Unfinished Inset Back
Nominal Dimensions				
One High:	15"	16"	30" / 36"	18" / 24"
Two High:	27"	28"	30" / 36"	18" / 24"
Three High:	39"	40"	30" / 36"	18" / 24"
Actual Dimension				
One High:	14.8"	16"	29.88" / 35.88"	16" / 22"
Two High:	26.9"	28"	29.88" / 35.88"	16" / 22"
Three High:	38.9"	40.1"	29.88" / 35.88"	16" / 22"

Note • Dimensions same as unit w/doors minus 3/4" off depth.

Combination File



	Height Without Spacer	Height With Spacer	Width	Depth - Standard With Unfinished Inset Back
Nominal Dimensions				
Two High:	27"	28"	36"	18" / 24"
Actual Dimension				
Two High:	26.9"	28"	35.88"	16.93" / 22.93"

Note • If a finished back is required it must be separately specified and will add 3/4" to the depth of the lower storage element.
 • The upper lateral file drawer will accommodate Pendaflex file folders with tabs. The lower lateral file drawer will accommodate Pendaflex file folders without tabs. Lower file drawer will not close if tabs are used.

Product Details – Compose Storage

Upper Storage – Dimensions

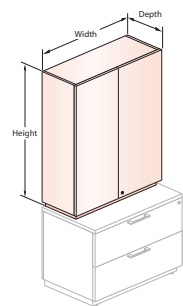
Stack On Storage units are for use with one, one and one-half or two high lower storage elements. The Stack On storage unit and lower storage element must be the same width in a freestanding application.

Select height combinations of lower and upper storage elements compliment Compose panel heights.

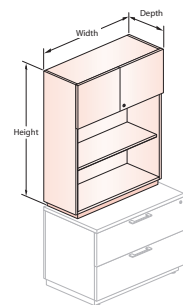
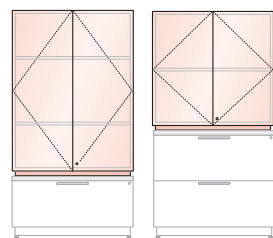
Stack On Storage units are standard with a inset, unfinished back.

Note If a finished back is required it must be separately specified and will add 3/4" to the depth of the Stack On storage element.

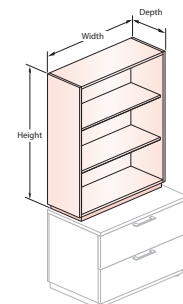
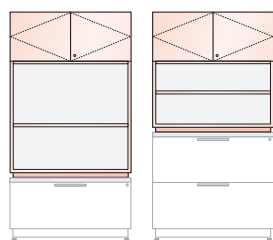
Stack On Storage Unit



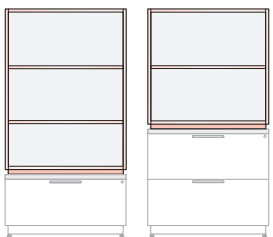
With Doors



With Partial Doors



Without Doors



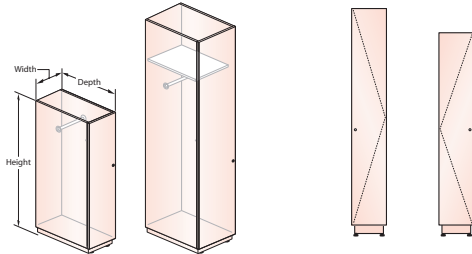
	Height	Width	Depth - Standard With Unfinished Inset Back
Nominal Dimensions			
With Full Height Doors	(1H) 19", 27", 35", 43", (2H) 31", 39", 47", 55"	30", 36"	15"
With Partial Doors	(1H) 35", 43", (2H) 47", 55"	30", 36"	15"
Without Doors	(1H) 19", 27", 35", 43", (2H) 31", 39", 47", 55"	30", 36"	15"
Actual Dimension			
With Full Height Doors	(1H) 19.7", 27.7", 35.7", 43.7", (2H) 31.7", 39.7", 47.7", 55.7"	29.88", 35.88"	14.3"
With Partial Doors	(1H) 35.7", 43.7", (2H) 47.7", 55.7"	29.88", 35.88"	14.3"
Without Doors	(1H) 19.7", 27.7", 35.7", 43.7", (2H) 31.7", 39.7", 47.7", 55.7"	29.88", 35.88"	13.3"

Product Details – Compose Storage

Full Height Storage – Dimensions

Wardrobe

Wardrobes heights compliments Compose panel heights. Standard with an inset, unfinished back.

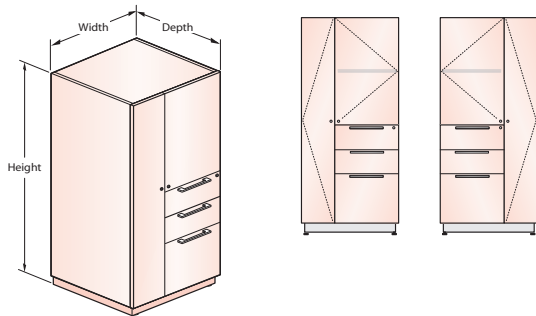


	Height	Width	Depth - Standard With Unfinished Inset Back
Nominal Dimensions	49", 57", 65", 73"	12", 18"	18", 24", 30"
Actual Dimensions	49", 57", 65", 73"	11.88", 17.88"	16.9", 22.9", 28.9"

Note If a finished back is required it must be separately specified and will add 3/4" to the depth of the full height storage element.

Personal Storage Tower With Wardrobe

Personal Storage Tower with Wardrobe heights compliment Compose panel heights. Standard with an inset, unfinished back.

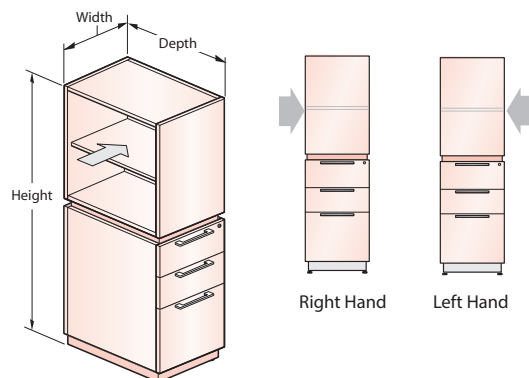


	Height	Width	Depth - Standard With Unfinished Inset Back
Nominal Dimensions	49", 57", 65", 73"	24"	18", 24"
Actual Dimensions	49", 57", 65", 73"	23.88"	16.9", 22.9"

Note If a finished back is required it must be separately specified and will add 3/4" to the depth of the full height storage element.

Personal Storage Tower With Side Bookcase

Personal Storage Tower with Side Bookcase heights compliment Compose panel heights. Standard with a finished back.



	Height	Width	Depth - Standard With Unfinished Inset Back
Nominal Dimensions	49", 57", 65", 73"	16"	18", 24", 30"
Actual Dimensions	49", 57", 65", 73"	15.5"	17.68", 23.68", 29.68"

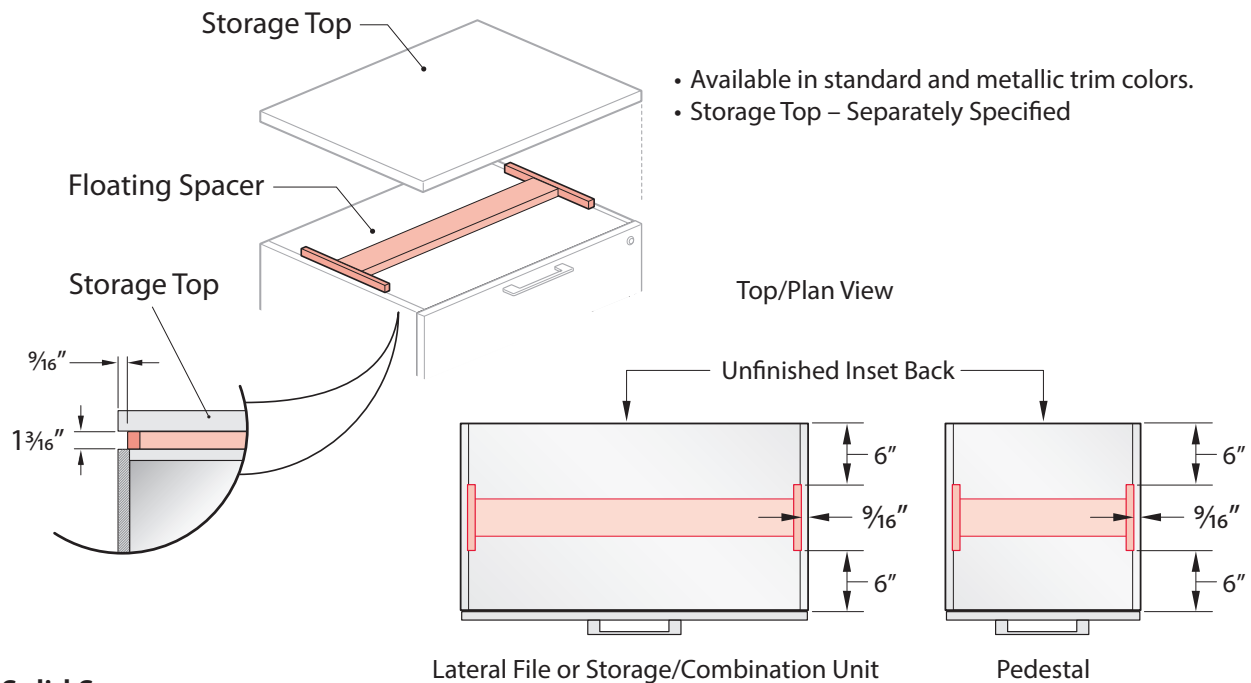
Product Details – Compose Storage

Spacer – Dimensions

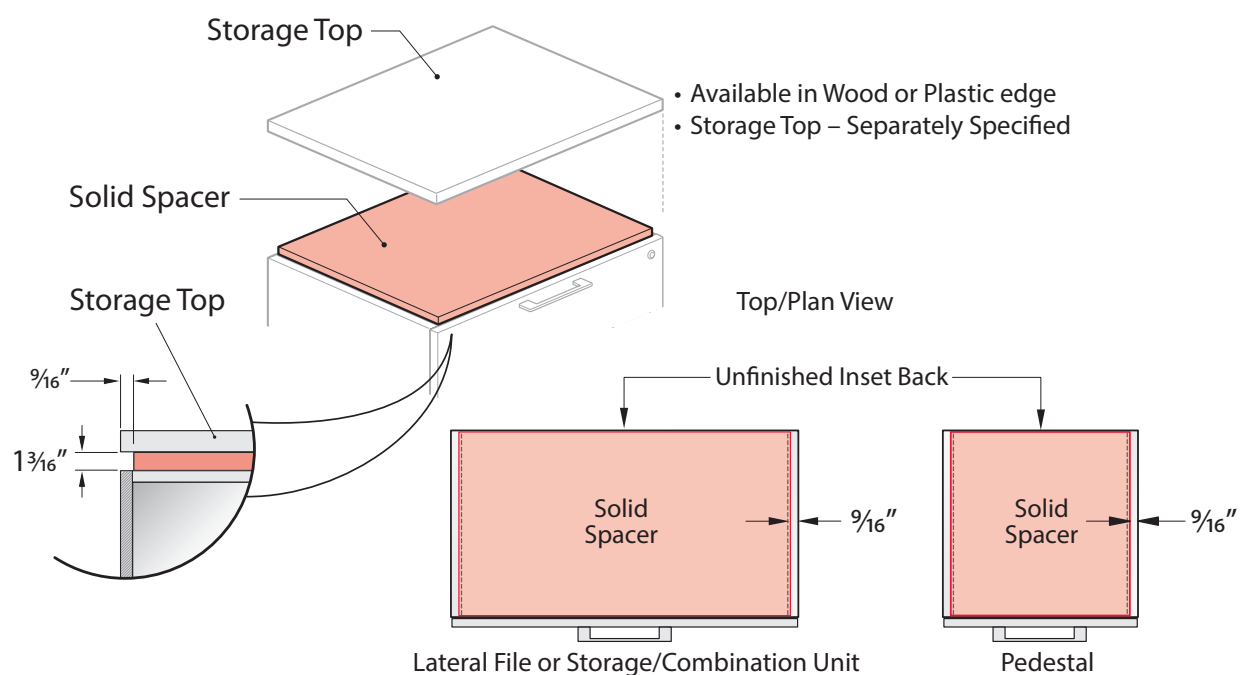
Lower storage elements feature two spacer options; solid or floating. Spacer options are selected for functional and aesthetic purposes. Spacer options are available for all lower storage elements with the exception of the mobile pedestal.

- Spacers are 1 $\frac{3}{16}$ " high
- Spacer styles are not interchangeable for a field retrofit application

Floating Spacer



Solid Spacer



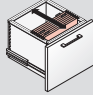
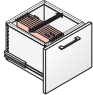
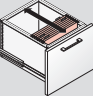
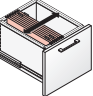
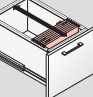
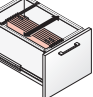
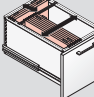
Note Flush to back and front of the case top.

Tips To meet multiple design needs either spacer or no-spacer option may be specified with any base/leg option.

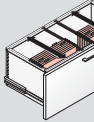
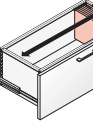
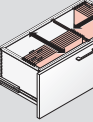
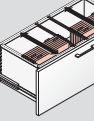
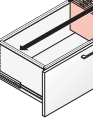
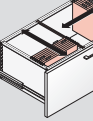
Product Details – Compose Storage

Storage Capacities / Interior Dimensions

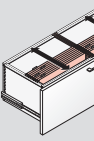
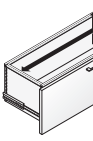
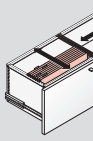
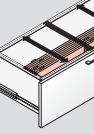
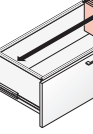
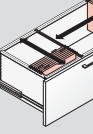
Pedestal File Drawers (16" Wide) – Filing Configurations and Capacities

PEDESTAL DEPTH	FRONT TO BACK FILING	SIDE TO SIDE FILING	COMBINATION FILING
18" Deep Pedestal File (16.93" Actual Depth)	 • 12" Side-To-Side Letter Filing	 • 12" Side-To-Side Letter Filing	N/A
24" Deep Pedestal File (22.93" Actual Depth)	 • 15 3/8" Front-To-Back Letter Filing	 • 12" Side-To-Side Legal Filing	N/A
30" Deep Pedestal File (22.93" Actual Depth)	 • 21" Front-To-Back Letter Filing	 • 12" Side-To-Side Legal Filing	 • 12" Side-To-Side Legal Filing • 6" Front-To-Back Letter Filing

Lateral File Drawers (30" Wide) – Filing Configurations and Capacities

LATERAL DEPTH	FRONT TO BACK FILING	SIDE TO SIDE FILING	COMBINATION FILING
18" Deep Lateral File (16.93" Actual Depth)	 • 12" Front-To-Back Letter Filing • 12" Front-To-Back Letter Filing	 • 25 5/8" Side-To-Side Letter Filing	 • 10 7/8" Side-To-Side Letter Filing • 12" Front-To-Back Legal Filing
24" Deep Lateral File (22.93" Actual Depth)	 • 15 3/8" Front-To-Back Letter Filing • 15 3/8" Front-To-Back Letter Filing	 • 25 5/8" Side-To-Side Legal Filing	 • 13 3/8" Side-To-Side Legal Filing • 15 3/8" Front-To-Back Letter Filing

Lateral File Drawers (36" Wide) – Filing Configurations and Capacities

LATERAL DEPTH	FRONT TO BACK FILING	SIDE TO SIDE FILING	COMBINATION FILING
18" Deep Lateral File (16.93" Actual Depth)	 • 12" Front-To-Back Legal Filing • 12" Front-To-Back Legal Filing	 • 31 5/8" Side-To-Side Letter Filing	 • 16 7/8" Side-To-Side Letter Filing • 12" Front-To-Back Legal Filing
24" Deep Lateral File (22.93" Actual Depth)	 • 15 3/8" Front-To-Back Legal Filing • 15 3/8" Front-To-Back Legal Filing	 • 31 5/8" Side-To-Side Legal Filing	 • 19 3/8" Side-To-Side Legal Filing • 15 3/8" Front-To-Back Letter Filing

Drawer Dimensions and Load Capacities

	Drawer Height	Drawer Depth	Drawer Width	Drawer Bottom Load	Drawer Slide Load
16" Wide Pedestal Drawers					
18" Deep Pedestal Box Drawer	4"	13"	13"	16 lbs.	100 lbs.
18" Deep Pedestal File Drawer	9 7/8"	13"	13"	32 lbs.	100 lbs.
24" Deep Pedestal Box Drawer	4"	16 3/8"	13"	22 lbs.	100 lbs.
24" Deep Pedestal File Drawer	9 7/8"	16 7/8"	13"	45 lbs.	100 lbs.
30" Deep Pedestal Box Drawer	5 1/8"	21"	13"	22 lbs.	100 lbs.
30" Deep Pedestal File Drawer	10 7/8"	21"	13"	45 lbs.	100 lbs.
30" Wide Lateral File Drawers					
18" Deep Lateral File Drawer	9 7/8"	13"	26 5/8"	71 lbs.	200 lbs.
24" Deep Lateral File Drawer	9 7/8"	16 3/8"	26 5/8"	71 lbs.	200 lbs.
36" Wide Lateral File Drawers					
18" Deep Lateral File Drawer	9 7/8"	13"	32 5/8"	87 lbs.	200 lbs.
24" Deep Lateral File Drawer	9 7/8"	16 3/8"	32 5/8"	87 lbs.	200 lbs.

- Note**
- Drawer load ratings are based on BIFMA load requirement of 0.017 lbs per cubic inch of drawer volume.
 - File drawers located in the bottom position of some storage units may not accommodate Pendaflex file folder with tabs. See Price List for details.

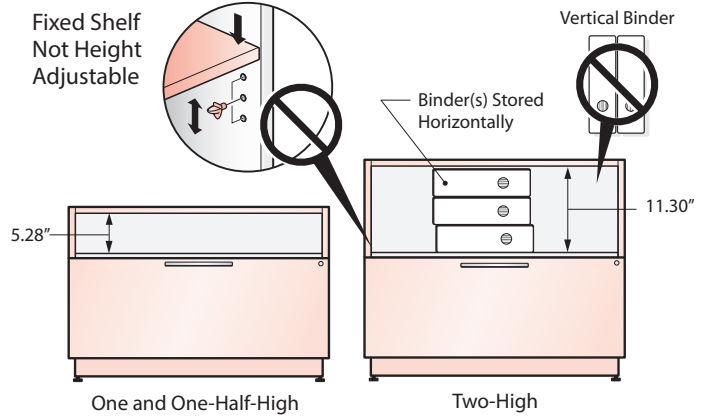
Product Details – Compose Storage

Storage Capacities / Interior Dimensions – Lower Storage

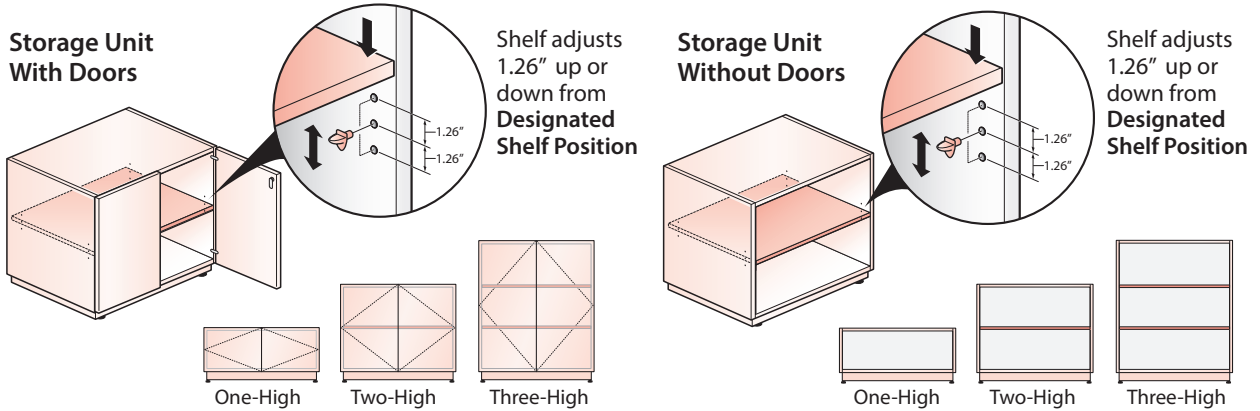
Open Shelf Lateral File

Interior Dimensions

	ONE AND ONE-HALF HIGH	TWO-HIGH
Shelf Quantity	1 Fixed	1 Fixed
Interior Height	5.28"	11.30"
Interior Width (30" W File)	28.38"	28.38"
Interior Width (36" W File)	34.38"	34.38"
Interior Depth (18" D File)	15.33"	15.33"
Interior Depth (24" D File)	21.32"	21.32"

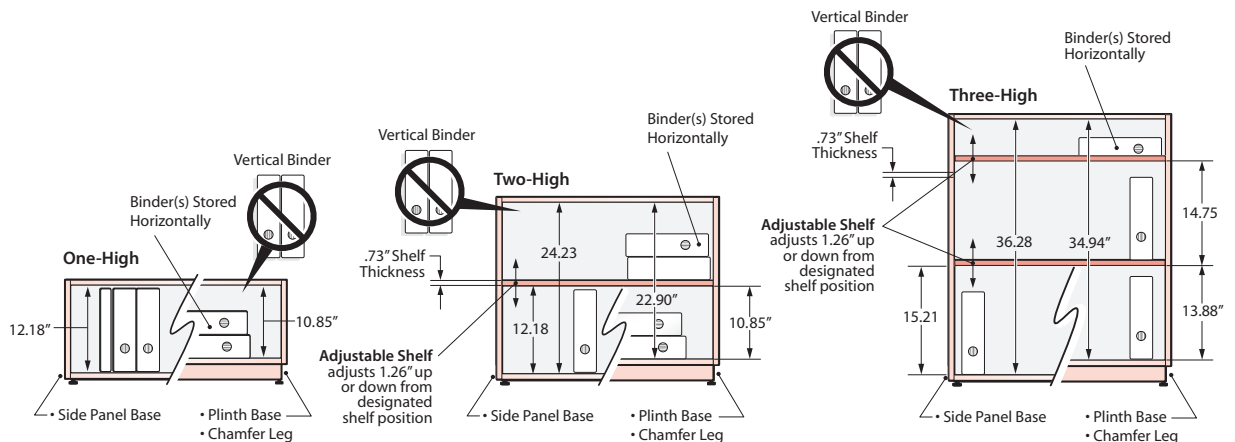


Storage Unit — With Door and Without Doors



Interior Dimensions

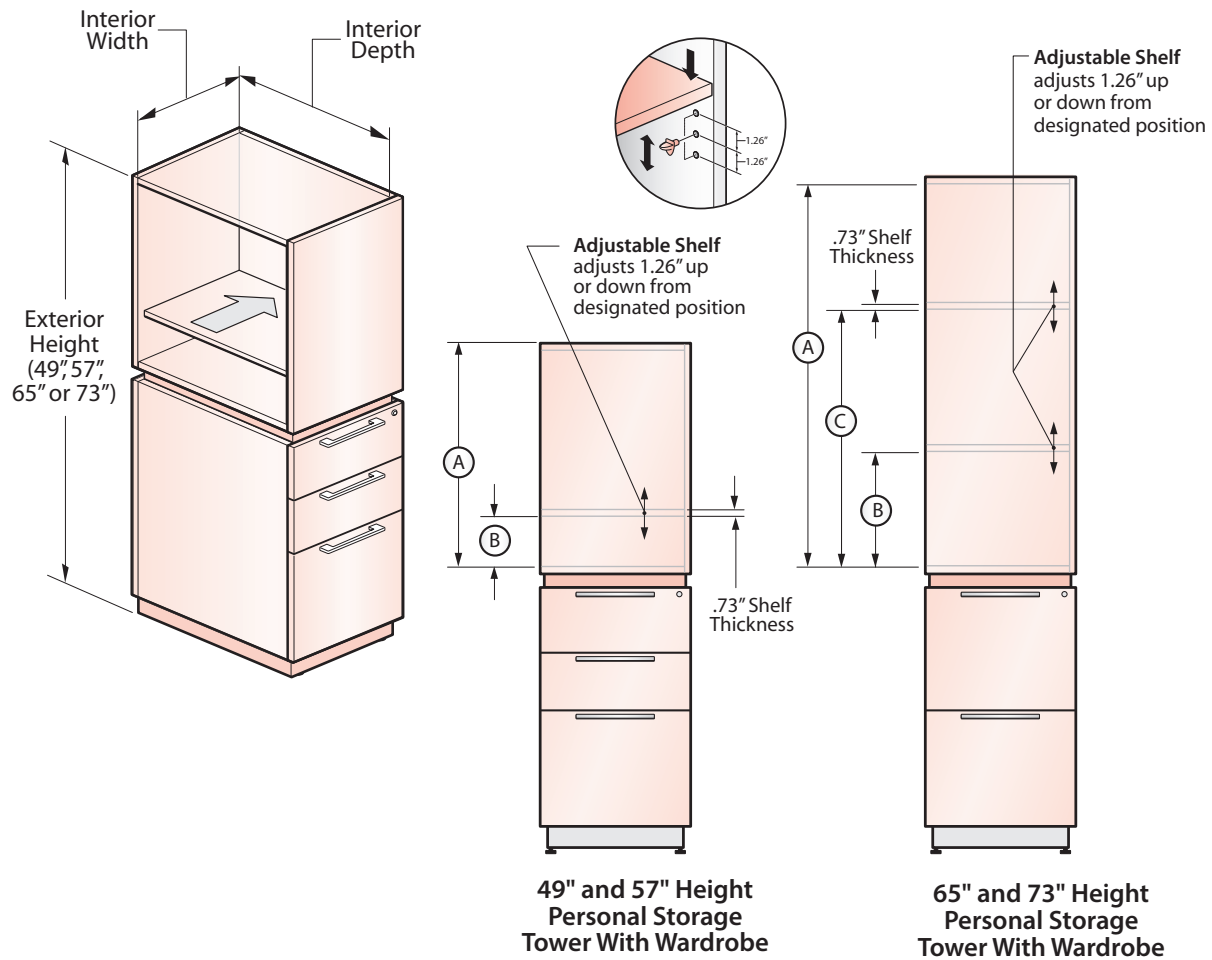
	ONE-HIGH	TWO-HIGH	THREE-HIGH
Shelf Quantity	0	1 Adjustable	2 Adjustable
Shelf Thickness	.73"	.73"	.73"
Interior Height (Side Panel Base)	12.18"	24.23"	36.28"
Interior Height (Plinth Base or Chamfer Leg)	10.85"	22.90"	34.94"
Interior Width (30" W Unit)	28.38"	28.38"	28.38"
Interior Width (36" W Unit)	34.38"	34.38"	34.38"
Interior Depth (18" D Unit)	15.33"	15.33"	15.33"
Interior Depth (24" D Unit)	21.32"	21.32"	21.32"



Product Details – Compose Storage

Storage Capacities / Interior Dimensions – Full Height Storage

Personal Storage Tower With Side Bookcase



Interior Dimensions

Nominal Exterior Height	49" H	57" H	65" H	73" H
Bookcase Shelf Quantity	1 Adjustable	1 Adjustable	2 Adjustable	2 Adjustable
Bookcase Interior Height (A)	19.16"	27.16"	35.16"	43.16"
Bookcase Designated Shelf Position (B)	5.21"	13.21"	5.21"	13.21"
Bookcase Shelf Position (C)	N/A	N/A	19.96"	27.96"
Shelf Thickness	.73"	.73"	.73"	.73"
Bookcase Interior Width (15.5" W Unit)	14.71"	14.71"	14.71"	14.71"
Bookcase Interior Depth (18" D Unit)	16.22"	16.22"	16.22"	16.22"
Bookcase Interior Depth (24" D Unit)	22.22"	22.22"	22.22"	22.22"
Bookcase Interior Depth (30" D Unit)	28.22"	28.22"	28.22"	28.22"

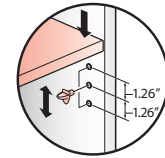
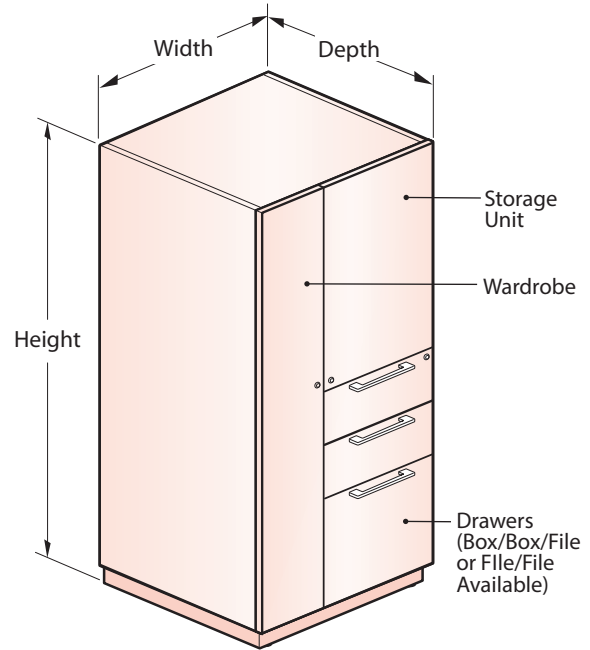
Product Details – Compose Storage

Storage Capacities / Interior Dimensions – Full Height Storage

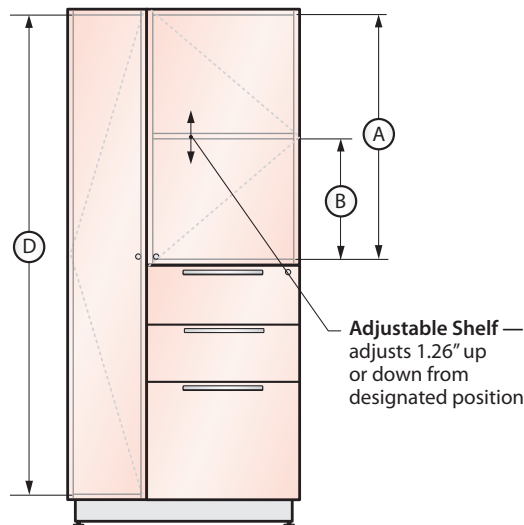
Personal Storage Tower With Wardrobe

Interior Dimensions

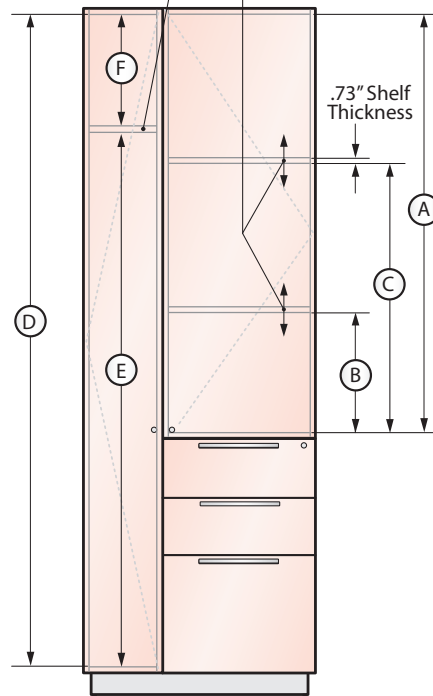
Nominal Exterior Height	49"	57"	65"	73"
Storage Unit Interior Height (A)	21.50"	29.50"	37.50"	45.50"
Storage Unit Shelf Quantity	1 Adjustable	1 Adjustable	2 Adjustable	2 Adjustable
Storage Unit Designated Shelf Position (B)	6.24"	14.24"	6.24"	14.24"
Storage Unit Shelf Position (C)	N/A	N/A	22.24"	30.24"
Shelf Thickness	.73"	.73"	.73"	.73"
Storage Unit Interior Width (24" D Unit)	14.04"	14.04"	14.04"	14.04"
Wardrobe Interior Depth (18" D Unit)	14.93"	14.93"	14.93"	14.93"
(24" D Unit)	20.93"	20.93"	20.93"	20.93"
(30" D Unit)	26.93"	26.93"	26.93"	26.93"
Wardrobe Interior Height (D) (Side Panel Base Option)	46.47"	54.47"	62.47"	70.47"
(Plinth Base/Chamfer Leg Option)	45.13"	53.13"	61.13"	69.13"
Wardrobe Shelf Quantity	0	0	0	1 Fixed
Wardrobe Designated Shelf Position (E) (Side Panel Base Option)	N/A	N/A	N/A	46.47"
(Plinth Base/Chamfer Leg Option)	N/A	N/A	N/A	45.13"
Wardrobe Interior Shelf Height (F)	N/A	N/A	N/A	14.54"
Wardrobe Shelf Thickness	N/A	N/A	N/A <td .73"	
Wardrobe Interior Width (24" D Unit)	7.65"	7.65"	7.65"	7.65"
Wardrobe Interior Depth (18" D Unit)	14.93"	14.93"	14.93"	14.93"
(24" D Unit)	20.93"	20.93"	20.93"	20.93"
(30" D Unit)	26.93"	26.93"	26.93"	26.93"



Fixed Shelf
Adjustable Shelf — adjusts 1.26" up or down from designated position



49", 57" and 65" Height Personal Storage Tower With Wardrobe



73" Height Personal Storage Tower With Wardrobe

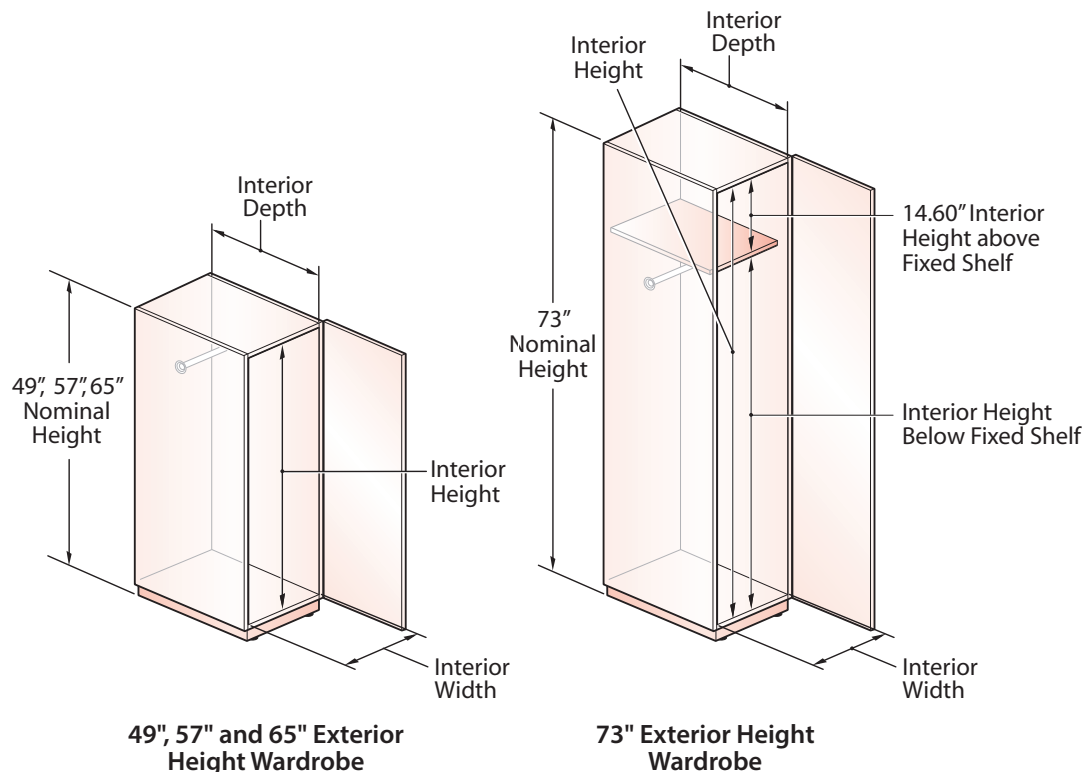
Product Details – Compose Storage

Storage Capacities / Interior Dimensions – Full Height Storage

Wardrobes

Interior Dimensions

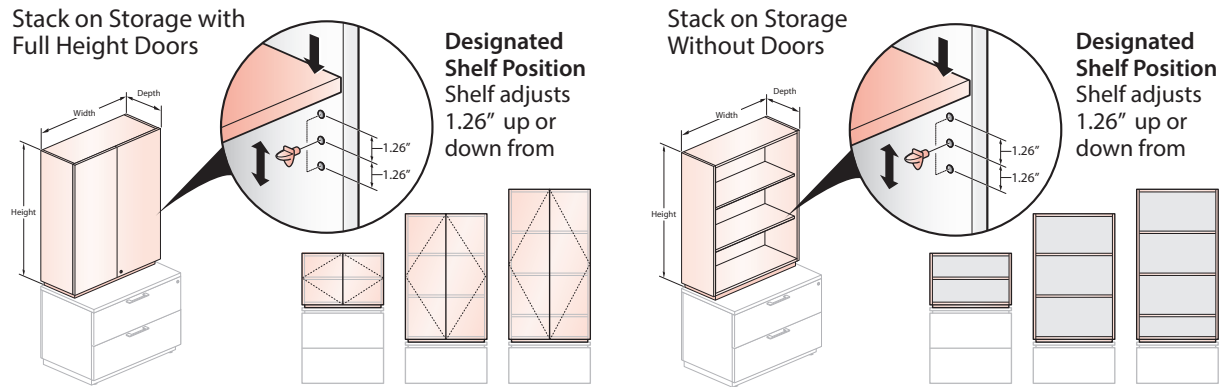
Nominal Exterior Height		49"	57"	65"	73"
Wardrobe Shelf Quantity		0	0	0	1 Fixed
Wardrobe Interior Height	(Side Panel Base Option)	46.46"	54.46"	62.46"	69.73"
	(Plinth Base/ Chamfer Leg Option)	45.13"	53.13"	61.13"	68.4"
Wardrobe Interior Height Below Fixed Shelf	(Side Panel Base Option)	N/A	N/A	N/A	55.13"
	(Plinth Base/ Chamfer Leg Option)	N/A	N/A	N/A	53.80"
Wardrobe Interior Height Above Fixed Shelf	(Side Panel Base Option)	N/A	N/A	N/A	14.60"
	(Plinth Base/ Chamfer Leg Option)	N/A	N/A	N/A	14.60"
Wardrobe Interior Width	(12" W Unit)	11.87"	11.87"	11.87"	11.87"
	(18" W Unit)	17.87"	17.87"	17.87"	17.87"
Wardrobe Interior Depth	(18" D Unit)	14.94"	14.94"	14.94"	14.94"
	(24" D Unit)	20.94"	20.94"	20.94"	20.94"
	(30" D Unit)	26.94"	26.94"	26.94"	26.94"



Product Details – Compose Storage

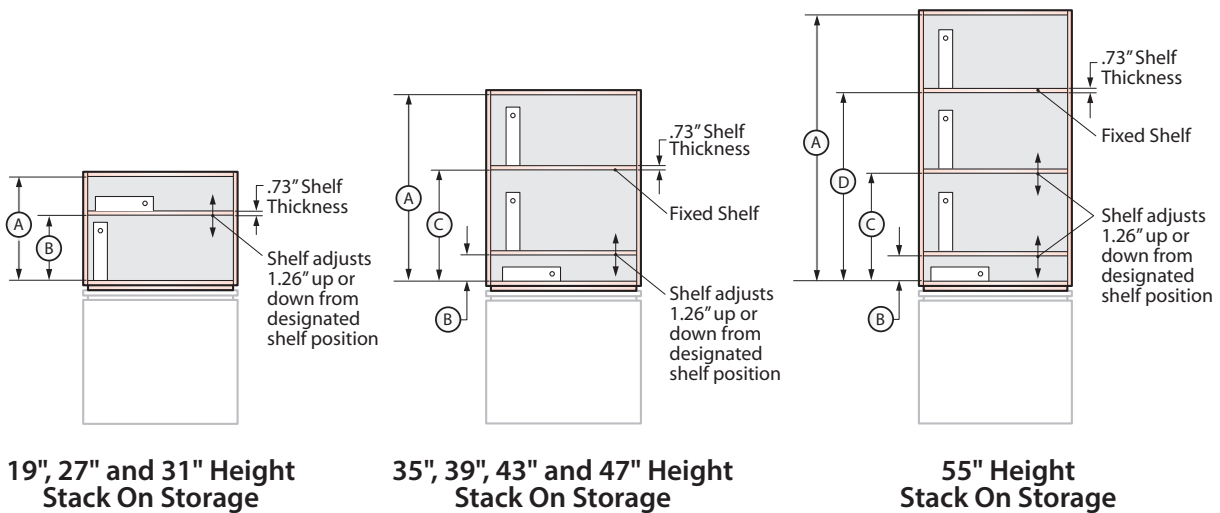
Storage Capacities / Interior Dimensions – Upper Storage

Stack On Storage Units — With Full Height Doors and Without Doors



Interior Dimensions

Nominal Exterior Height		19"	27"	31"	35"	39"	43"	47"	55"
Shelf Quantity		1 Adjustable	1 Adjustable	1 Adjustable	1 Adjustable 1 Fixed	1 Adjustable 1 Fixed	1 Adjustable 1 Fixed	1 Adjustable 1 Fixed	2 Adjustable 1 Fixed
Interior Height Actual	(A)	17.54"	25.54"	29.54"	33.54"	37.54"	41.54"	45.54"	53.54"
Designated Shelf Position	(B)	8.39"	12.39"	14.39"	3.59"	8.00"	11.60"	11.60"	8.39"
	(C)	N/A	N/A	N/A	18.39"	22.76"	26.39"	30.39"	23.15"
	(D)	N/A	N/A	N/A	N/A	N/A	N/A	N/A	38.39"
Shelf Thickness		.73"	.73"	.73"	.73"	.73"	.73"	.73"	.73"
Interior Width	(30" W Unit)	28.39"	28.39"	28.39"	28.39"	28.39"	28.39"	28.39"	28.39"
	(36" W Unit)	34.39"	34.39"	34.39"	34.39"	34.39"	34.39"	34.39"	34.39"
Interior Depth With or Without Doors	(15" D Unit)	12.26"	12.26"	12.26"	12.26"	12.26"	12.26"	12.26"	12.26"



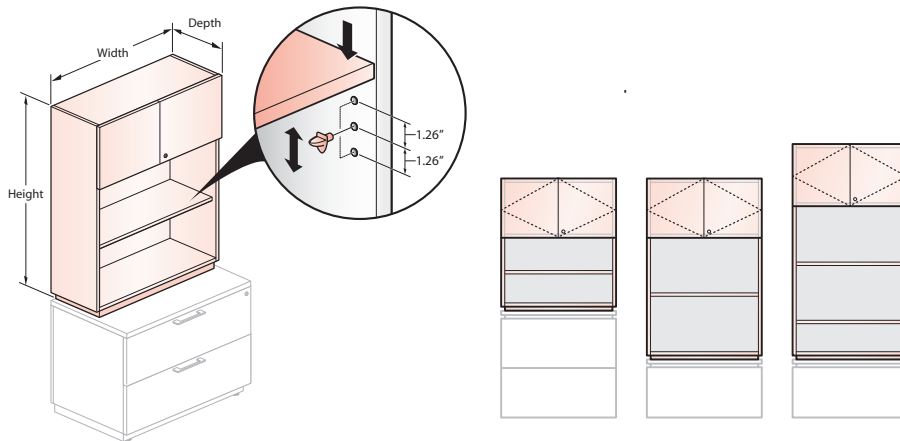
Note Standard height binder is shown.

Product Details – Compose Storage

Storage Capacities / Interior Dimensions – Upper Storage

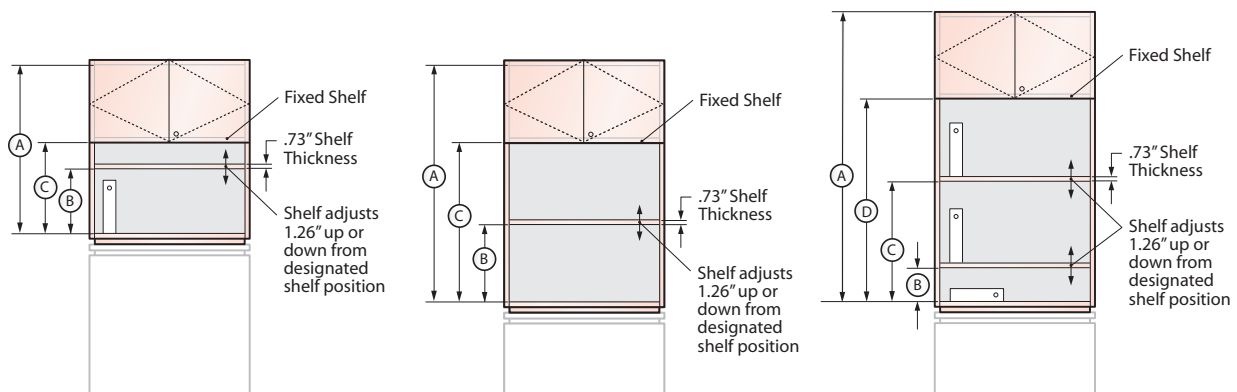
Stack On Storage Units — With Partial Doors On Top

Stack on Storage
With Partial Doors
On Top



Interior Dimensions

Nominal Exterior Height		35"	43"	47"	55"
Shelf Quantity		1 Adjustable 1 Fixed	1 Adjustable 1 Fixed	1 Adjustable 1 Fixed	2 Adjustable 1 Fixed
Interior Height Actual	(A)	33.54"	41.54"	45.54"	53.54"
Designated Shelf Position	(B)	3.59"	11.60"	11.60"	8.39"
	(C)	18.39"	26.39"	30.39"	23.15"
	(D)	N/A	N/A	N/A	38.39"
Shelf Thickness		.73"	.73"	.73"	.73"
Interior Width	(30" W Unit)	28.39"	28.39"	28.39"	28.39"
	(36" W Unit)	34.39"	34.39"	34.39"	34.39"
Interior Depth With Full Height Doors	(15" D Unit)	12.26"	12.26"	12.26"	12.26"



35", 43" and 47" Height Stack On Storage with Partial Doors

55" Height Stack On Storage with Partial Doors

Note Standard height binder is shown.

Product Details – Compose Storage

Storage Height – Application Planning – Planning With / Without Spacers

Lower storage elements are available with or without a spacer. A storage element without a spacer is available with a finished or unfinished top. The spacer or no-spacer option impacts the overall height of a lower storage element this also impacts the height of a worksurface and the height of stack-on combinations.

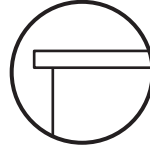
Floating Spacer



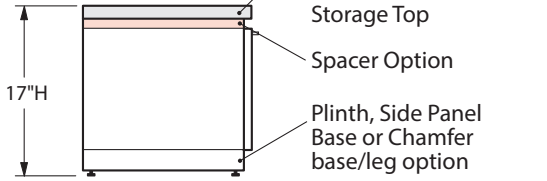
Solid Spacer



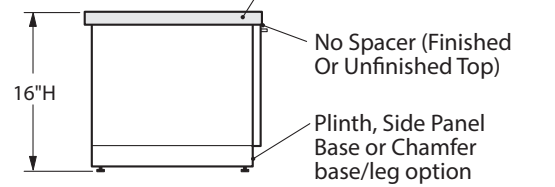
Without Spacer



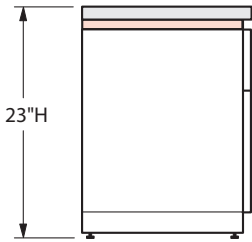
One-High Storage



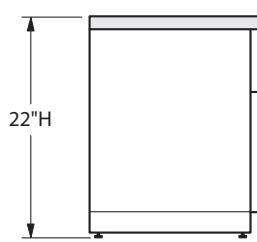
One-High Storage



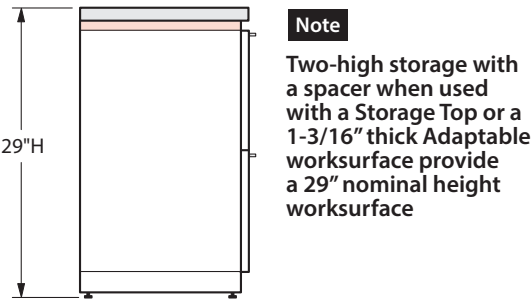
One and One-Half High Storage



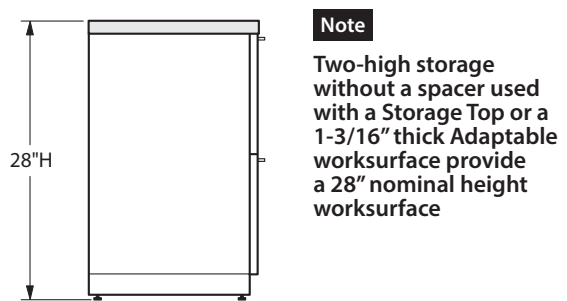
One and One-Half High Storage



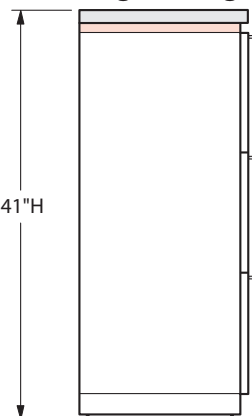
Two-High Storage



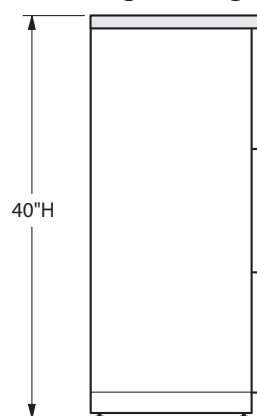
Two-High Storage



Three-High Storage



Three-High Storage



Tips To meet multiple design needs either spacer and the no spacer option may be specified with any base/leg option.

Product Details – Compose Storage

Storage Depth – Application Planning – Planning With / Without Finished Back

Separately Specified Finished Backs For Lower Storage Units

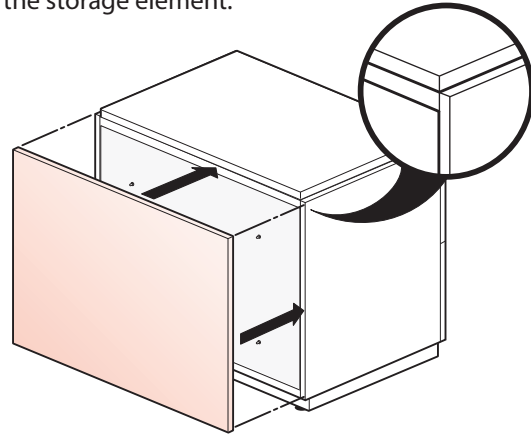
Lower storage elements are standard with an unfinished, inset back. The one exception is the Mobile Pedestal which includes a finished back. A finished back must be separately specified for one, one and one-half, two or three-high lower storage elements if the back of the unit is exposed. Finished backs are field installed and are proud of the storage case. A finished back adds 3/4" depth to the storage element.

Finished Back

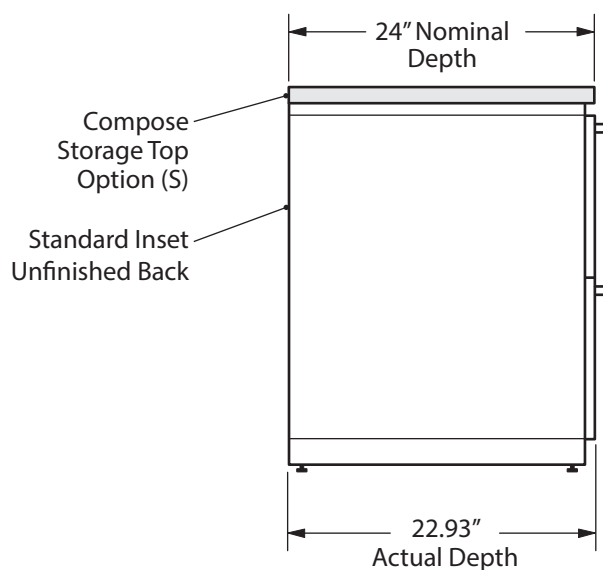
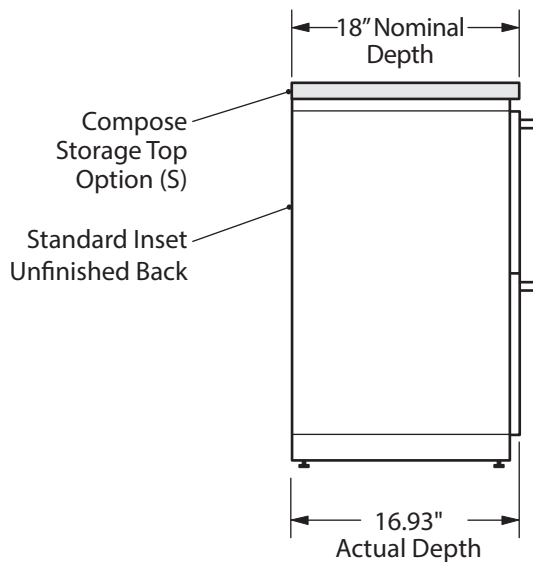
- Adds 3/4" to the depth of the lower storage element
- Lower storage elements are pre-drilled to accept aligner pins included with the finished back for field installation.

Note Finished Back specification requires a functional option:

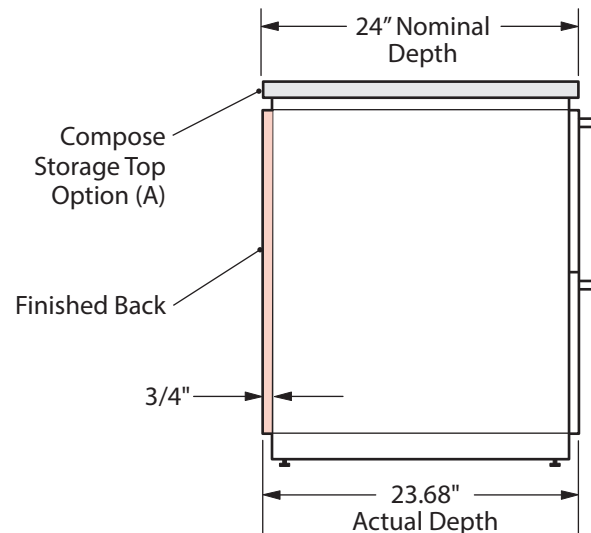
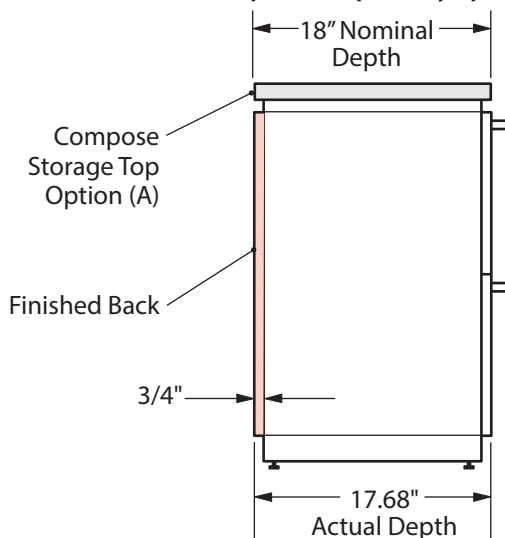
- E** Side Panel Base
- M** Legs / Plinth Base



Lower Storage Depth — Standard With Inset Unfinished Back



Proud Finished Back Depth — Separately Specified

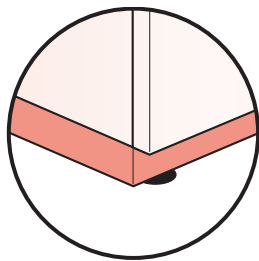


Product Details – Compose Storage

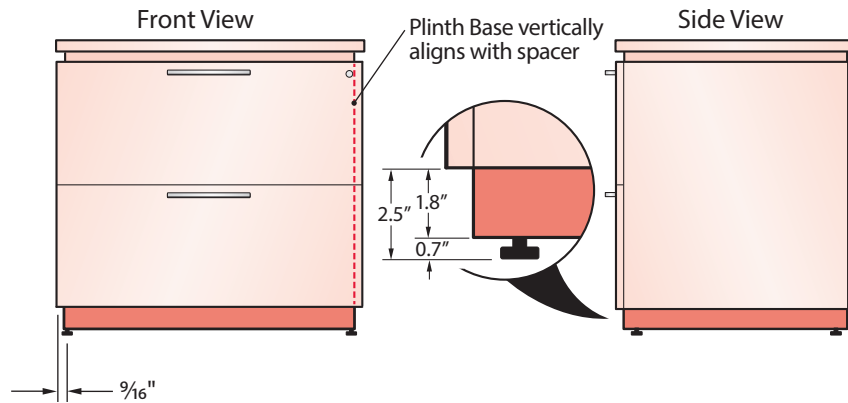
Base / Leg – Application Planning – Dimensions

- Compose Storage features three base/leg options; plinth base, side panel base or chamfer leg.
- Base/Leg options are selected for functional and aesthetic purposes.
- Base/Leg options are available for all storage elements with the exception of the mobile pedestal.
- All lower storage base/leg options include height adjustable glides.
 - The Plinth Base glides have a 1" height adjustment range.
 - The Side Panel Base glides have a 2" height adjustment range.
 - The Chamfer Leg glides have a 1" height adjustment range.

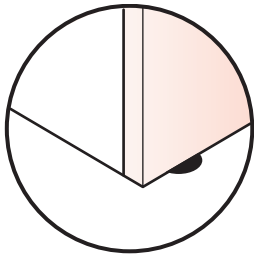
Plinth Base



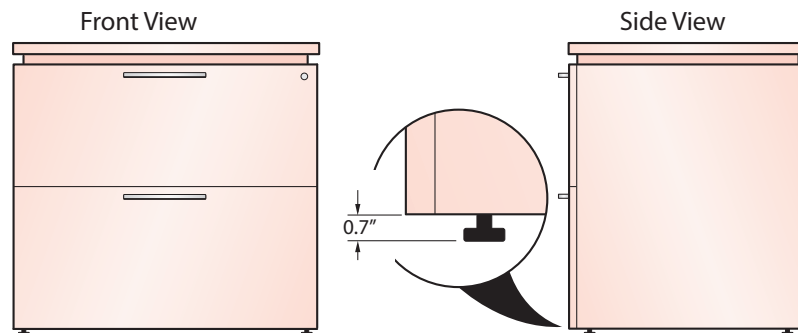
The plinth base is recessed on all sides. This design detail vertically aligns with both spacer options.



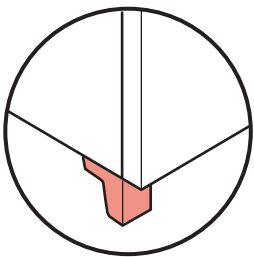
Side Panel Base



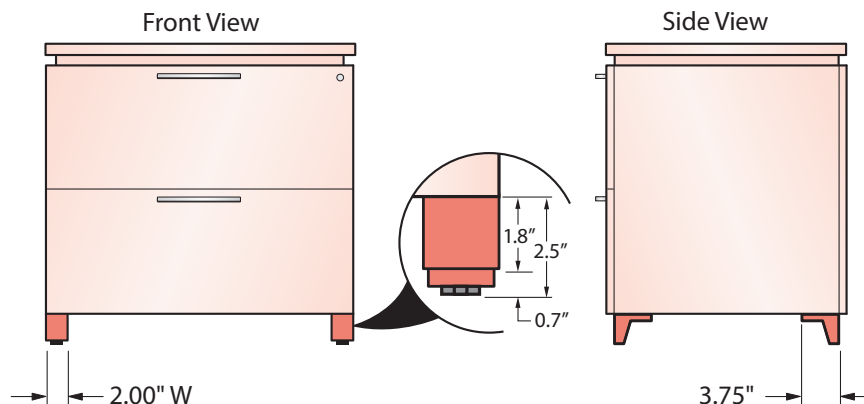
The Side Panel Base provides a clean aesthetic. The storage unit sides and drawer front extend to the floor leaving a slight gap below the bottom of the lower storage unit.



Chamfer Leg



The Chamfer leg provides a light aesthetic with an open space below the bottom of the lower storage unit.

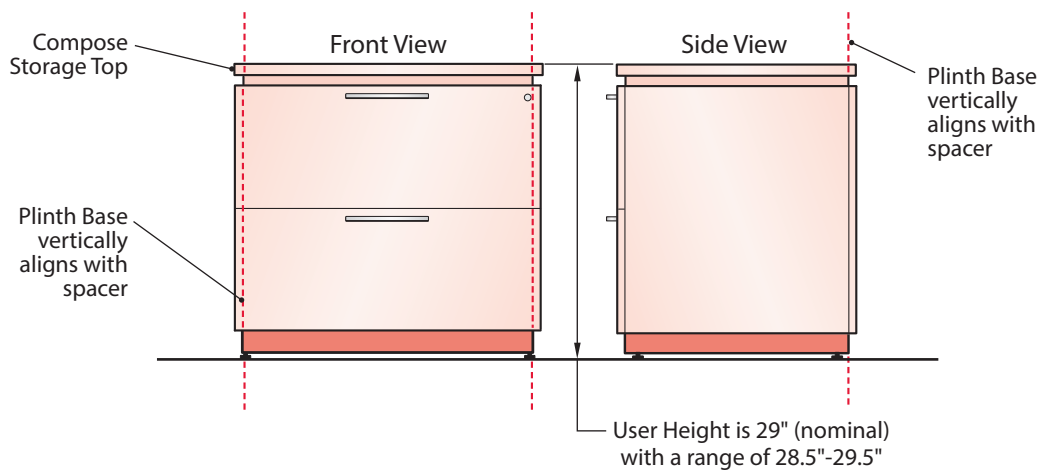


Tips To meet multiple design needs either spacer and the no spacer option may be specified with any base/leg option.

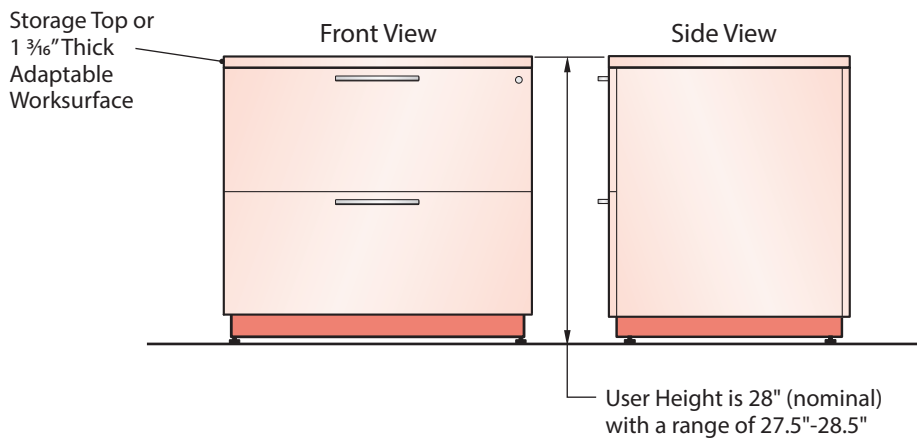
Product Details – Compose Storage

Base / Leg – Application Planning

Plinth Base Storage With Spacer Options

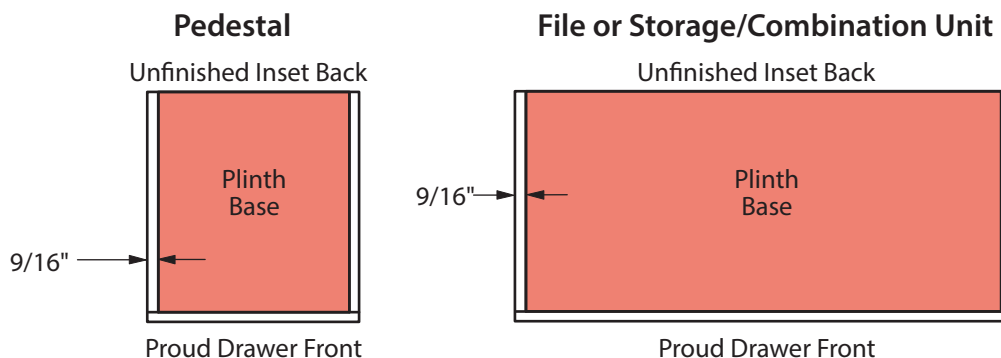


Plinth Base Storage Without Spacer Options



- The plinth base is recessed on all sides. This design detail vertically aligns with both spacer options.
- The plinth base storage glides provide a 1" height adjustment range.
- Plinth Base available with wood or plastic edge.

Plinth Base Detail — Top/Plan View

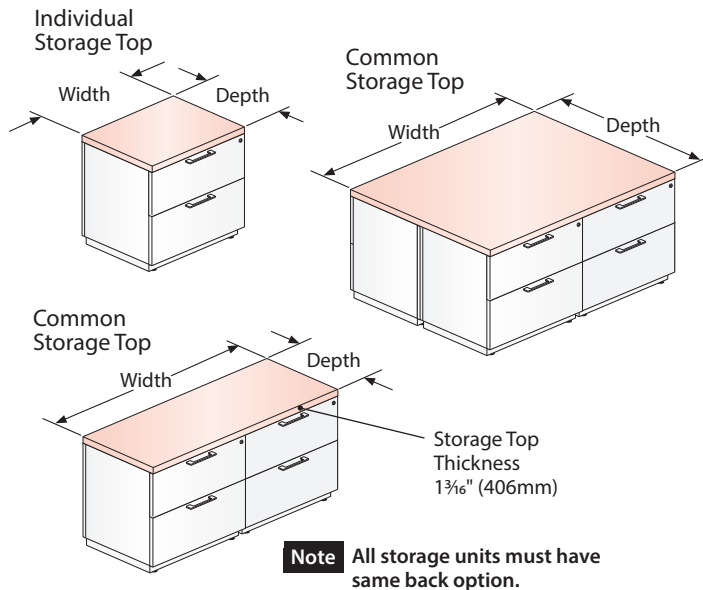


- To meet multiple design needs a spacer or no spacer option may be specified with any base/leg option.

Product Details – Compose Storage

Storage Tops – Dimensions

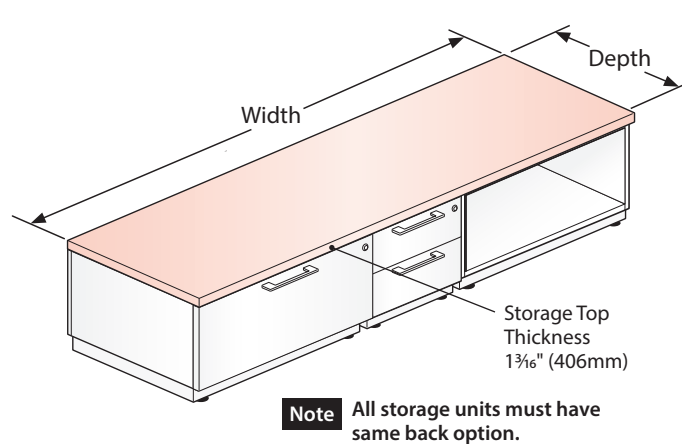
Individual / Common Storage Top



NOMINAL VS. (ACTUAL) DIMENSIONS

DEPTH (A) Proud Finished Back	DEPTH (S) Inset Unfinished Back	WIDTH
18" = (17.68")	18" = (16.93")	16" = (15.97")
		30" = (29.88")
		36" = (35.88")
		60" = (59.75")
		66" = (65.75")
		72" = (71.75")
24" = (23.68")	24" = (22.93")	16" = (15.97")
		30" = (29.88")
		36" = (35.88")
		60" = (59.75")
		66" = (65.75")
		72" = (71.75")
30" = (29.68")	30" = (28.93")	16" = (15.68")
36" = (35.36")	36" = (33.86")	30" = (29.88")
		36" = (35.88")
		60" = (59.75")
		66" = (65.75")
		72" = (71.75")
48" = (47.36")	48" = (45.86")	30" = (29.88")
		36" = (35.88")
		60" = (59.75")
		66" = (65.75")
		72" = (71.75")

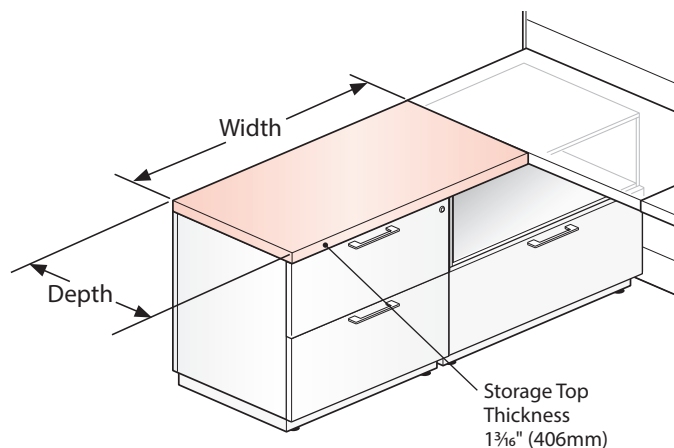
Continuous Storage Top



NOMINAL VS. (ACTUAL) DIMENSIONS

DEPTH (A) Proud Finished Back	DEPTH (S) Inset Unfinished Back	WIDTH
18" = (17.68")	18" = (16.93")	62" = (60.88")
		68" = (66.88")
		76" = (75.25")
		88" = (87.25")
		90" = (89.63")
		96" = (95.63")
		102" = (71.68")
		108" = (107.63")
24" = (23.68")	24" = (22.93")	62" = (60.88")
		68" = (66.88")
		76" = (75.25")
		88" = (87.25")
		90" = (89.63")
		96" = (95.63")
		102" = (101.63")
		108" = (107.63")

Off-Modular Storage Top



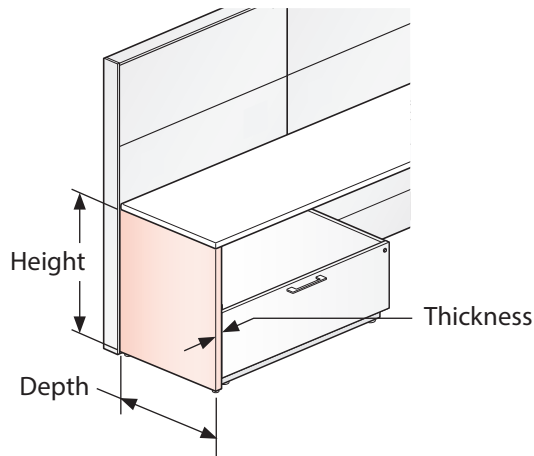
NOMINAL VS. (ACTUAL) DIMENSIONS

DEPTH (A) Proud Finished Back	DEPTH (S) Inset Unfinished Back	WIDTH
18" = (17.68")	18" = (16.93")	30" = (30.1")
		36" = (36.1")
		42" = (42.1")
		48" = (48.1")
		54" = (54.1")
24" = (23.68")	24" = (22.93")	30" = (30.1")
		36" = (36.1")
		42" = (42.1")
		48" = (48.1")
		54" = (54.1")
36" = (35.36")	36" = (33.86")	30" = (30.1")
		36" = (36.1")
		42" = (42.1")
		48" = (48.1")
		54" = (54.1")
48" = (47.36")	48" = (45.86")	30" = (30.1")
		36" = (36.1")
		42" = (42.1")
		48" = (48.1")
		54" = (54.1")

Product Details – Compose Storage

Worksurface Support and Brackets – Dimensions

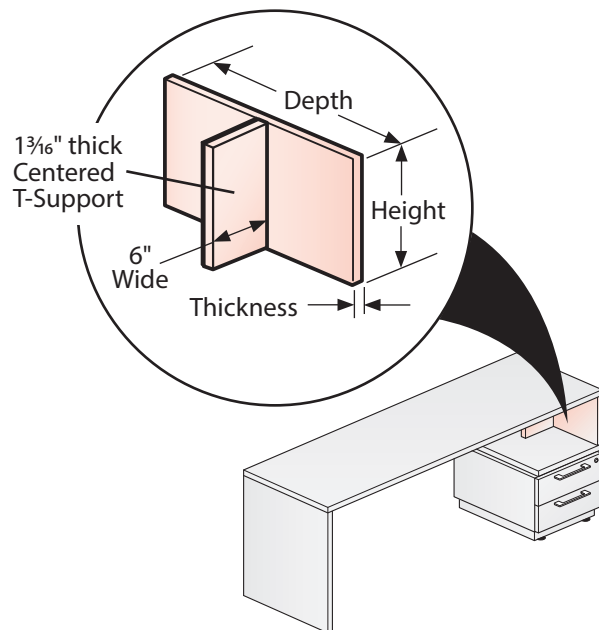
Worksurface Support Panel



NOMINAL VS. (ACTUAL) DIMENSIONS

HEIGHT	LOWER STORAGE ALIGNMENT	THICKNESS	DEPTH
26.5"	With No Spacer	1.5"	18" (17.68")
			24" (23.68")
			30" (29.68")
27.5"	With Spacer	1.5"	18" (17.68")
			24" (23.68")
			30" (29.68")

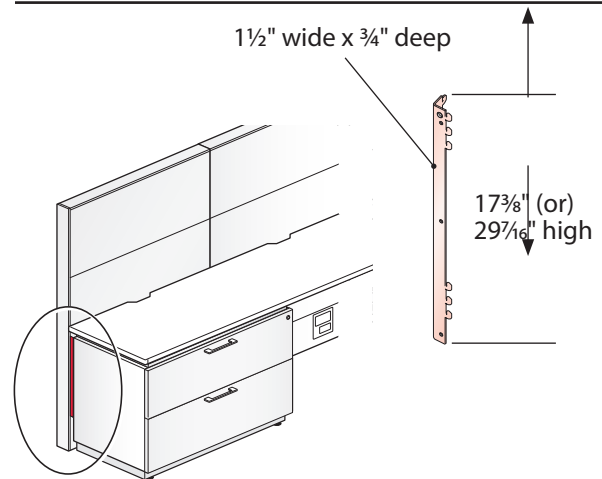
One-High Worksurface Support End



NOMINAL VS. (ACTUAL) DIMENSIONS

HEIGHT	LOWER STORAGE ALIGNMENT	THICKNESS	DEPTH
11"	With No Spacer	1 3/16"	18" (17.68")
			24" (23.68")
			30" (29.68")
12"	With Spacer	1 3/16"	18" (17.68")
			24" (23.68")
			30" (29.68")
			36" (35.68")

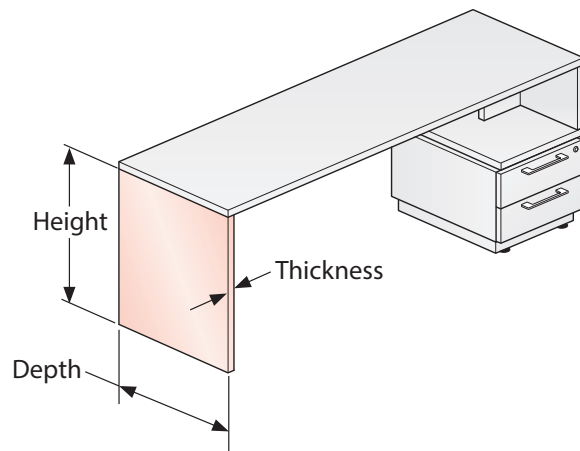
Storage-to-Panel Bracket



BZBG-0002 for two-high storage

BZBG-0003 for use with three-high and full height storage

Desk Height Worksurface Support End



NOMINAL VS. (ACTUAL) DIMENSIONS

HEIGHT	LOWER STORAGE ALIGNMENT	THICKNESS	DEPTH
26.5"	With No Spacer	1.5"	24" (23.68")
			30" (29.68")
			36" (35.68")
27.5"	With Spacer	1.5"	24" (23.68")
			30" (29.68")
			36" (35.68")

This page intentionally left blank.

Product Application – Compose Storage

Product Applications – Compose Storage

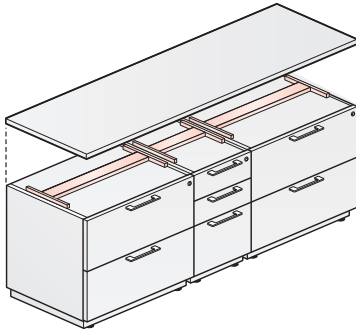
Planning With Spacers – Aesthetics

The floating and solid spacers are 1 $\frac{3}{16}$ " high. Both spacer option provides the same user height storage top or worksurface above a lower storage element with spacer. While the height is the same the solid and floating spacer provide a different design detail. The aesthetic differences become apparent in a in-line storage application.

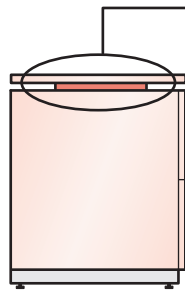
Floating Spacer

The design intent of the floating spacer is to be invisible from the front and back of the lower storage element. This creates a clean aesthetic between storage elements in an in-line application. The storage top has the appearance of floating above the lower storage elements.

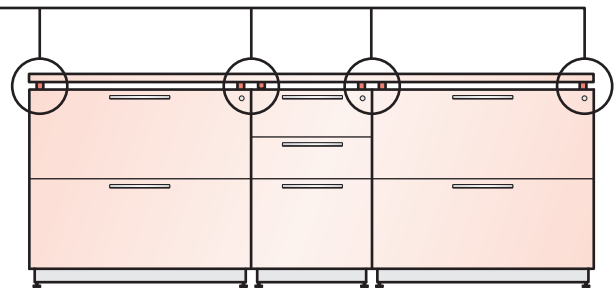
- Available in standard and metallic trim colors.



Side Elevation



Front Elevation



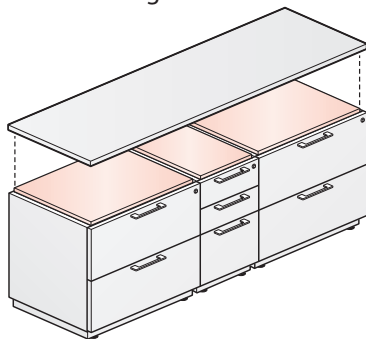
Side Elevation

Spacer is recessed 6" from the front and back side of 18", 24" and 30" deep storage elements; this spacer creates an open space between storage element and storage top.

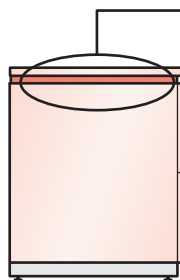
Solid Spacer

The design intent of the solid spacer is to be visible from all sides of the lower storage element. This creates a solid aesthetic with open spaces between each solid spacer in an in-line storage application. The solid spacer creates a weighted solid aesthetic.

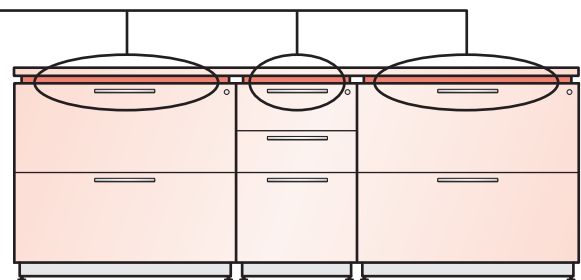
- Available in Wood or Plastic edge



Side Elevation



Front Elevation



Side Elevation

Solid Spacer is flush to the back and front of the storage and recessed $\frac{3}{16}$ " from each side.

Note The plinth base option creates a similar aesthetic as the solid spacer at the base of the in-line lower storage elements.

Tips To meet multiple design needs either spacer and the no spacer option may be specified with any base/leg option.

Product Applications – Compose Storage

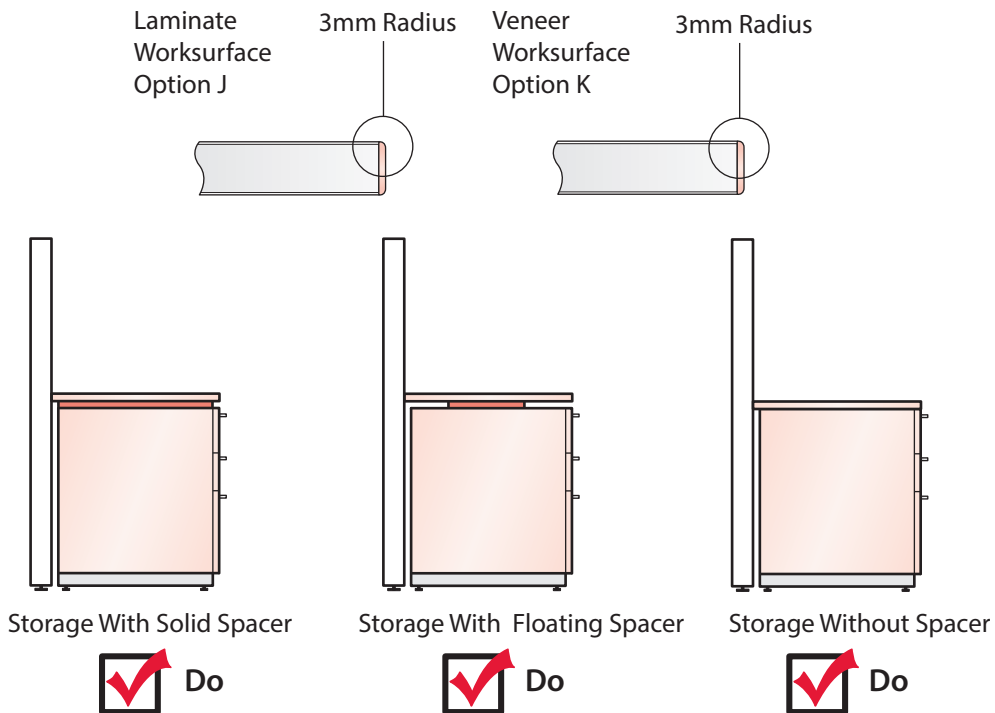
Planning With Spacers and Adaptable Worksurface Edge Options

Lower storage elements are intended for use with Edgeband, Cascade and Knife edge Adaptable Worksurface options. The aesthetic relationship between the adaptable worksurface edge option and the lower storage spacer option determines the application feasibility.

Edgeband

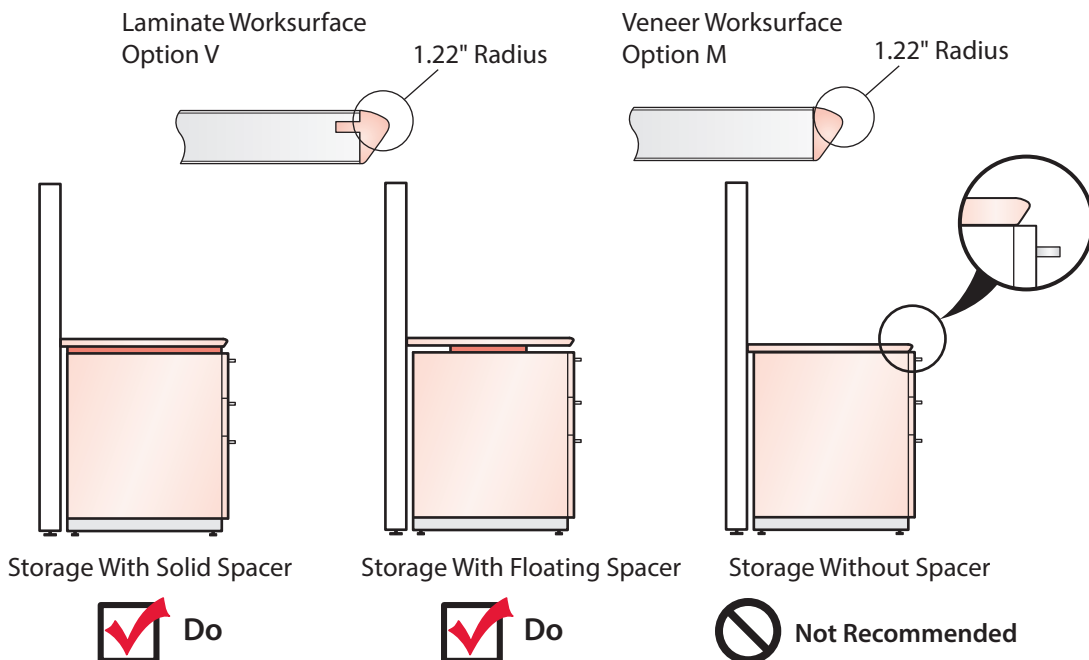
1-3/16" Thick - Adaptable Worksurfaces: Edge Options

Adaptable Worksurface Edgeband option is for use with the both spacer options; solid and floating. May also be used with the no spacer option which is standard with a finished or unfinished storage top.



Cascade

Adaptable Worksurface Cascade option is for use with the both spacer options; solid and floating. For aesthetic reasons it is not recommended for use with the no spacer storage option.



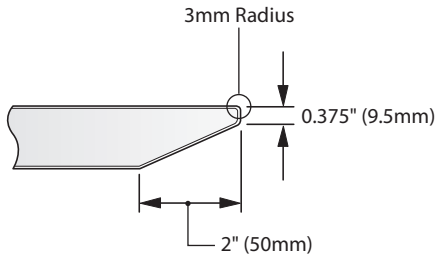
Product Applications – Compose Storage

Planning With Spacers and Adaptable Worksurface Edge Options

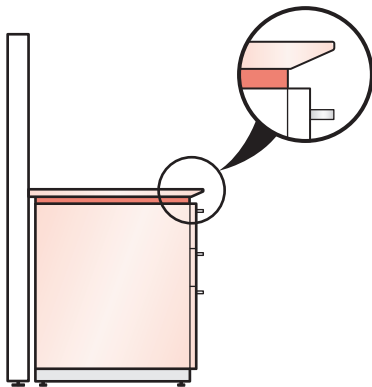
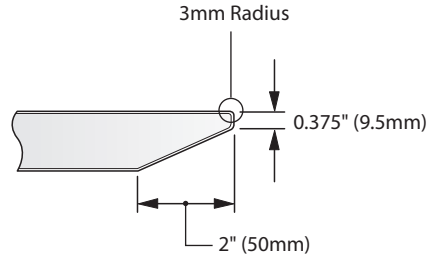
Adaptable Worksurface Knife option is for use with the floating spacer option, only. For aesthetic reasons it is not recommended for use with the solid spacer option or the no spacer option.

Knife

Laminate Worksurface
Option F



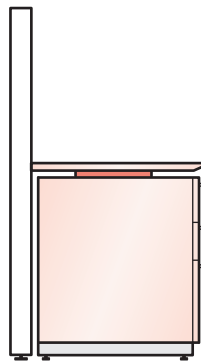
Wood Worksurface
Option U



Storage With
Solid Spacer



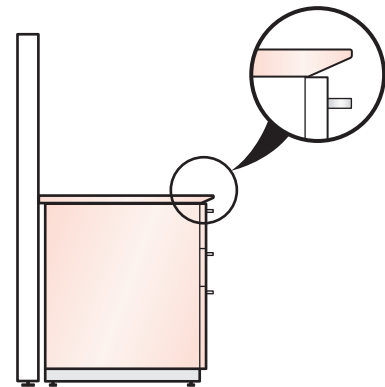
Not Recommended



Storage With
Floating Spacer



Do



Storage Without
Spacer



Not Recommended



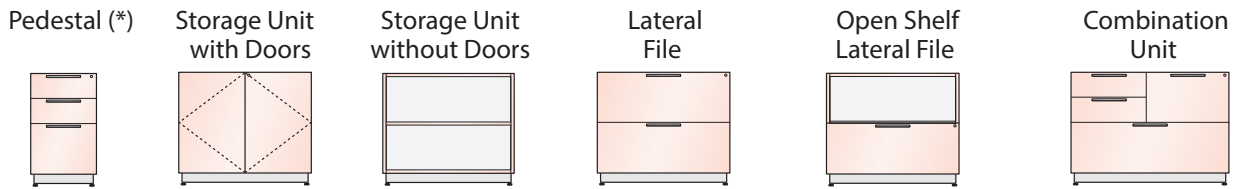
- The product relationship between the adaptable worksurface edge option and the spacer option are the same for a Compose panel or freestanding product application.
- Compose Storage is not intended for use with T-Mold worksurface edge option.
- Compose Storage Tops are standard with Edgeband trim; 3mm on the front and back side with 1mm on the sides.

Product Applications – Compose Storage

Planning With Individual and Common Storage Tops

Individual / Common Storage Tops are for use with lower storage elements. Individual Storage Tops are dimensioned to accommodate a single lower storage element. Common Storage Tops are dimensioned to accommodate two side-by-side lower storage elements; 30" and/or 36" widths. Side-by-side applications may be mirrored for a double row application.

Lower Storage Elements For Use With An Individual/Common Storage Tops:

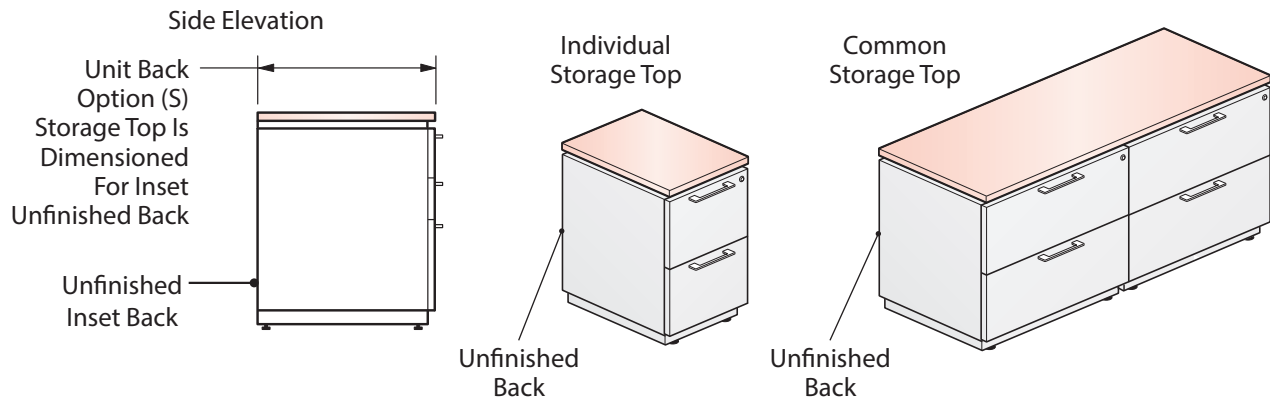


(*) Exception: Pedestal is for use with an Individual Storage Top only; not for use with a Common Storage Top.

Individual / Common Storage Top Applications

Lower Storage Elements With Unfinished Inset Back

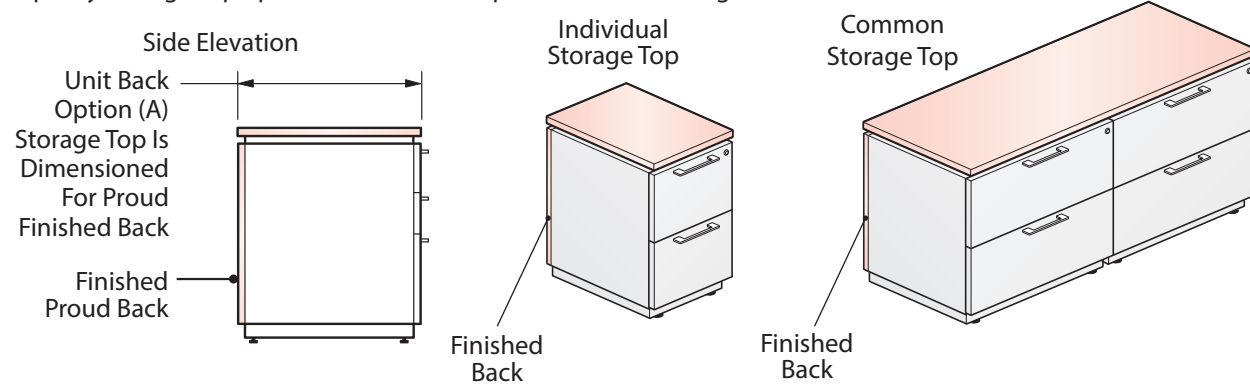
- Specify Storage Top option "S" for use with inset unfinished storage back.



Note For dimensional alignment between the Common Storage Top and lower storage elements all storage elements must have the same back option; standard inset unfinished back or separately specified finished back.

Lower Storage Elements With Proud Finished Back

- Specify Storage Top option "A" for use with proud finished storage back.



- Tips**
- All lower storage elements in a Common Storage Top application must have a spacer or all must be without spacer.
 - Lower storage elements require separately specified finished backs when exposed.
 - Lower storage elements do not require a counterweight when used with a Common Storage Top.
 - Counterweights are required in a single freestanding storage element with or without an Individual Storage Top:
 - Two-high; 18" deep box/box/file or file/file single pedestal (counterweight not required for 24" or 30" deep pedestal)
 - One, two or three-high lateral file or a two-high open shelf lateral file
 - Two-high; combination unit
 - Storage Tops are not dimensioned for use with X or V Series storage.

Product Applications – Compose Storage

Planning With Common Storage Tops

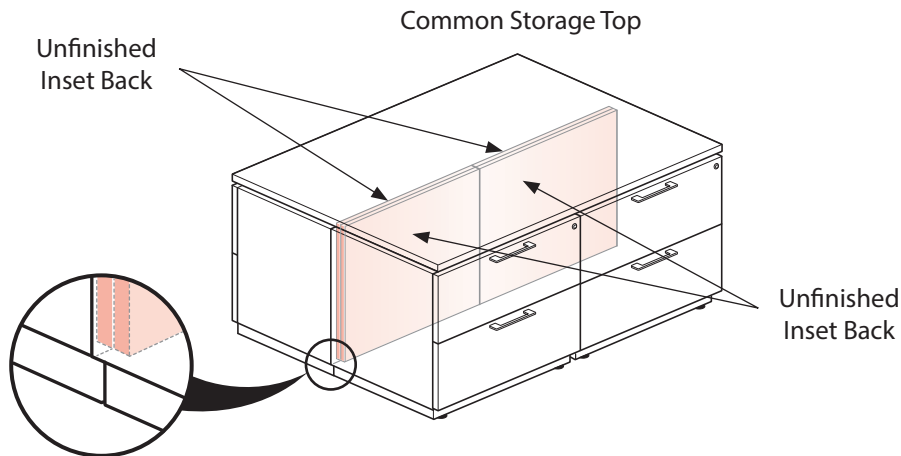
For dimensional alignment between the Common Storage Top and the lower storage elements all storage elements must have the same back option; standard inset unfinished back or separately specified finished back.

Common Storage Top With Back-To-Back Lower Storage Elements

Lower Storage Elements With Unfinished Inset Back

Each lower storage element in the application below has a standard inset unfinished back.

- Specify Storage Top option “S” for use with inset unfinished storage back.

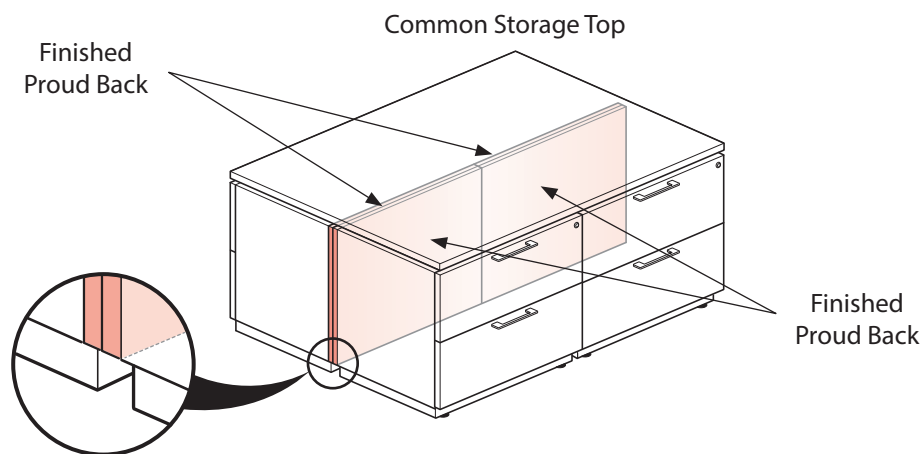


Note For dimensional alignment between the Common Storage Top and lower storage elements all storage elements must have the same back option; standard inset unfinished back or separately specified finished back.

Lower Storage Elements With Proud Finished Back

Each lower storage element in the application below has a separately specified proud finished back.

- Specify Storage Top option “A” for use with proud finished storage back.



Note

- Finished Backs allow for ease of reconfiguration
- Use of Proud Finished Back will add 1½" to the footprint depth of back to back lower storage.

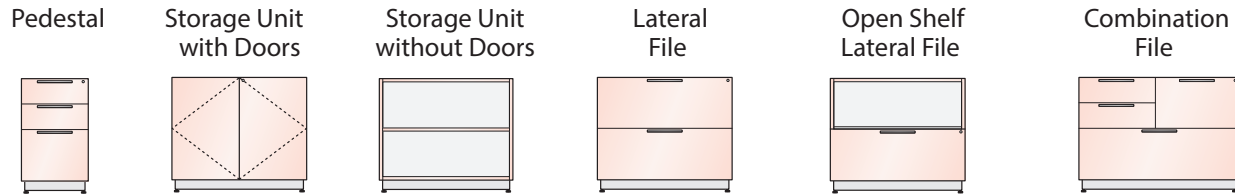
- Tips**
- All lower storage elements in a Common Storage Top application must have a spacer or all must be without spacer.
 - Lower storage elements require separately specified finished backs when exposed.
 - Lower storage elements do not require a counterweight when used with a Common Storage Top
 - Counterweights are required in a single freestanding storage element with or without an Individual Storage Top:
 - Two-high; 18" deep box/box/file or file/file single pedestal (counterweight not required for 24" or 30" deep pedestal)
 - One, two or three-high lateral file or a two-high open shelf lateral file
 - Two-high; combination unit
 - Storage Tops are not dimensioned for use with X or V Series storage.

Product Applications – Compose Storage

Planning With Continuous Storage Tops

Continuous Storage Tops are for use with lower storage elements. Dimensioned to accommodate three side-by-side lower storage elements (any combination of pedestals and laterals).

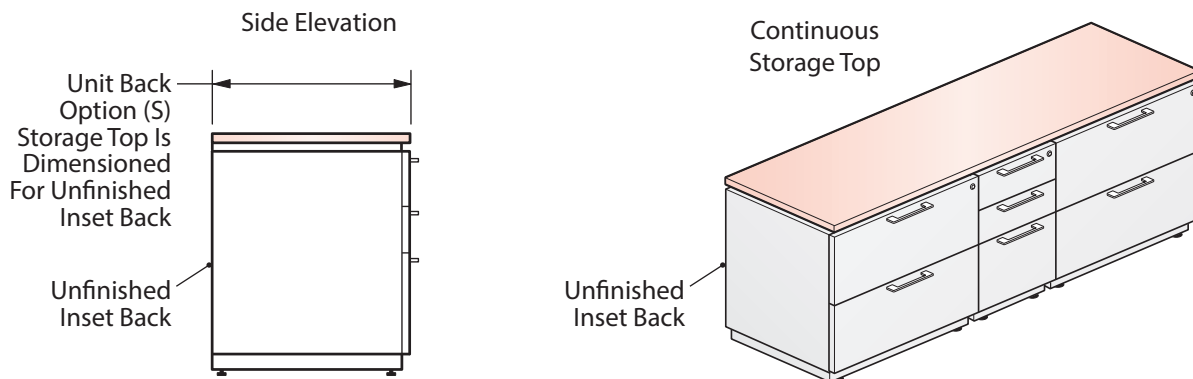
Lower Storage elements for use with a Continuous Storage Top



Continuous Storage Top With Side-By-Side Lower Storage Elements

Lower storage elements with Unfinished Inset Back

- Specify Storage Top option “S” for use with inset unfinished storage back.



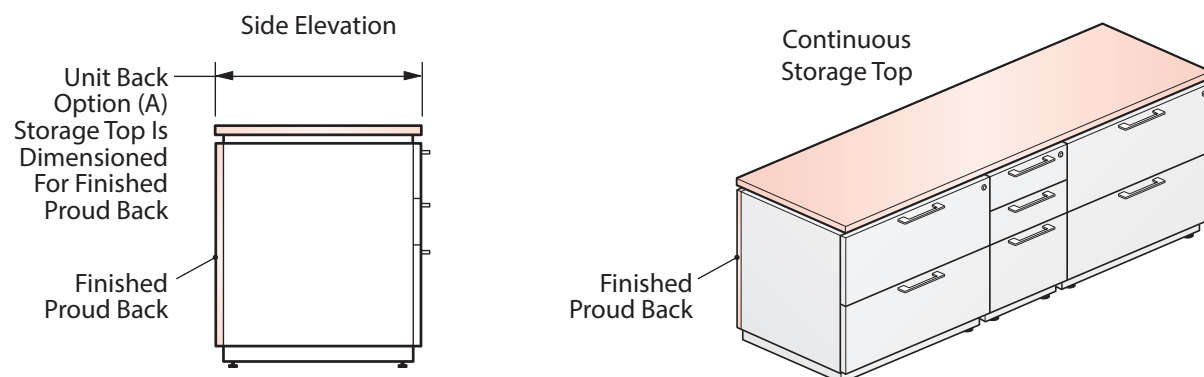
Note

For dimensional alignment in a Continuous Storage Top application:

- All lower storage elements must have the same back option; standard inset unfinished back or separately specified finished back.
- Three lower storage elements is the maximum number allowed.

Lower Storage Elements With Proud Finished Back

- Specify Storage Top option “A” for use with proud finished storage back.



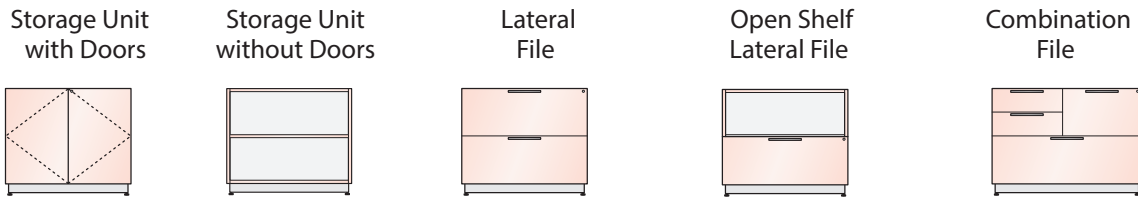
Tips

- All lower storage elements in a Continuous Storage Top application must have a spacer or all must be without spacer.
- Lower storage elements require separately specified finished backs when exposed.
- Lower storage elements do not require a counterweight when used with a Continuous Storage Top
- Counterweights are required in a single freestanding storage element with or without an Individual Storage Top:
 - Two-high; 18” deep box/box/file or file/file single pedestal (counterweight not required for 24” or 30” deep pedestal)
 - One, two or three-high lateral file or a two-high open shelf lateral file
 - Two-high; combination unit
- Storage Tops are not dimensioned for use with X or V Series storage.

Product Applications – Compose Storage

Planning With Off-Modular Storage Tops / Nested Storage Application

Off-Modular Storage Tops are for use with lower storage elements. A nested storage product application allows a portion of the lower storage element to be nested beneath a perpendicular worktop. An off-Modular Storage Top spans the exposed portion of the nested storage element and the adjacent storage element(s).



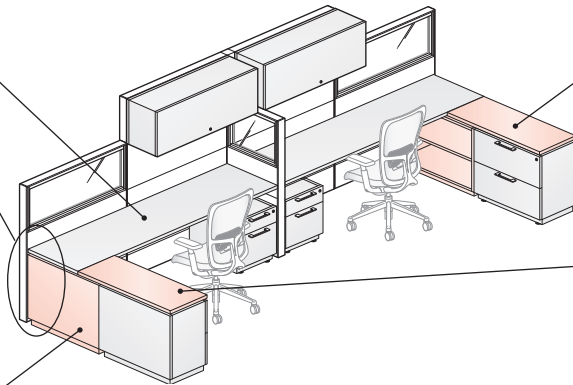
Lower Storage elements for use in a desk height nested storage application:

- For a 29" desk height worktop specify the two-high lower storage elements with spacers. A floating spacer is recommended for aesthetic reasons. A solid spacer may be used; the solid spacer will emphasize the vertical line between the side-by-side lower storage elements. The same spacer option must be specified for both side-by-side or back-to-back storage elements.
- Lower storage elements require separately specified finished backs when exposed.
- Lower storage elements do not require a counterweight when used with an Off-Modular Storage Top

Panel Mounted Adaptable Worksurface

Storage-To-Panel Bracket

A Storage-to-Panel Bracket provides the required support to meet the Compose panel planning guidelines; An adaptable worksurface Side/Corner will not provide the required support in this location.



Off-Modular Storage Top

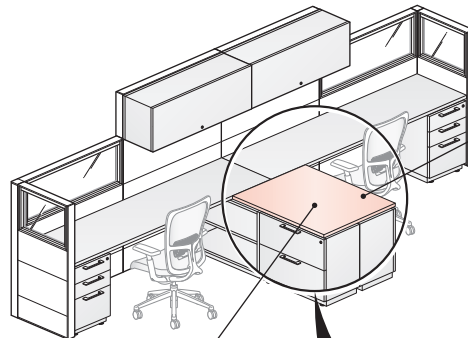
Specify Off-Modular Storage Top option "A" for use with proud finished storage back to accommodate separately specified finished backs.

Off-Modular Storage Top

For a 29" desk height worktop specify the two-high lower storage elements with a spacer.

Nested Storage Unit – Without Doors, With Finished Back

A Storage Unit Without Doors is used in this location to allow easy user access.

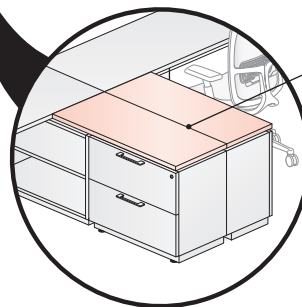


Off-Modular Storage Top

Specify Off-Modular Storage Top option "S" for use with inset unfinished storage back to accommodate the standard unfinished back of the lower storage elements. Note: Separately specified finished backs are not required in a back-to-back storage application.

One Off-Modular Storage Top creates a seamless application

The Off-Modular Storage Top depth may be specified to accommodate two back-to-back storage elements to eliminate a center seam or two shallower depth storage tops may be specified for reconfiguration flexibility.



Two Off-Modular Storage Tops create a center seam

- Tips** • Compose Storage Tops are standard with Edgeband trim; 3mm on the front and back side with 1mm on the sides.

Product Applications – Compose Storage

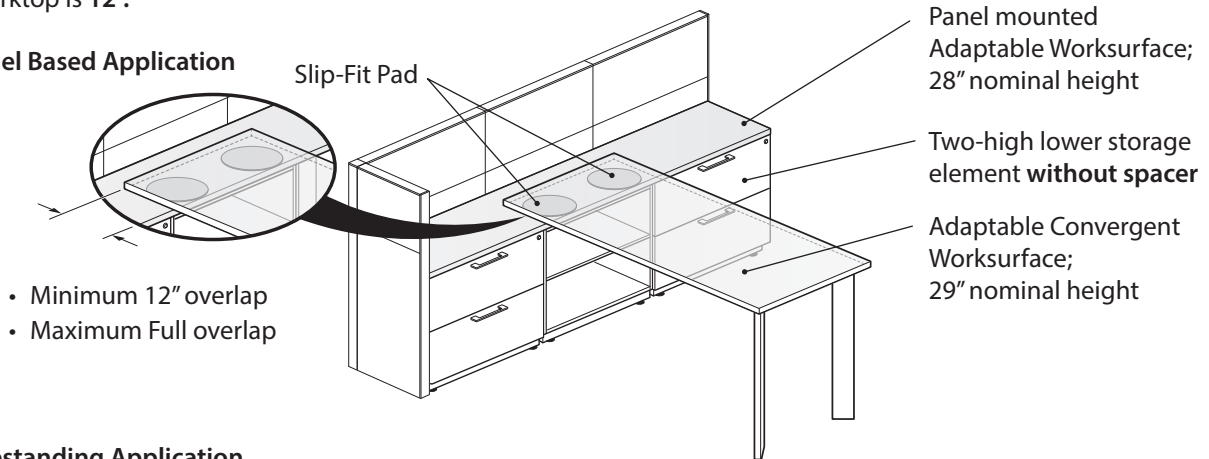
Planning With A Convergent Worksurface / Slip-Fit Application

A slip-fit planning application consists of two staggered height worktops. The lower worktop is typically rectangular in shape. The higher worktop an adaptable rectangular convergent worksurface. The height difference allows one end of the convergent worksurface to slip over the lower rectangular worktop creating a slip-fit application.

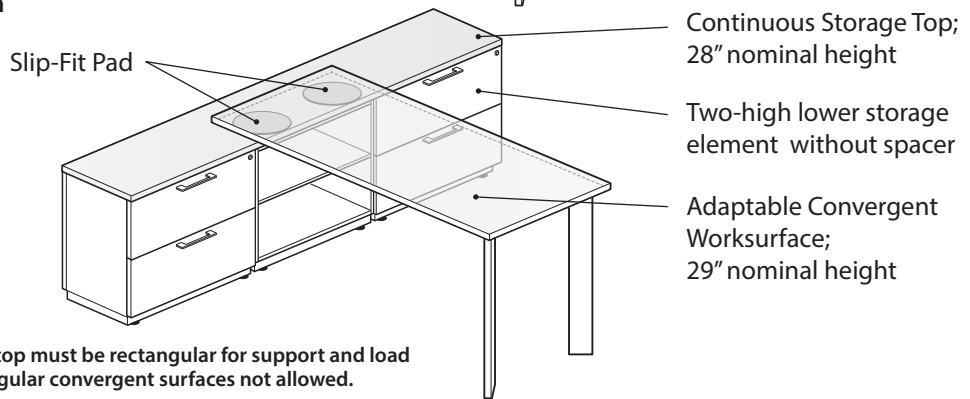
Application Guidelines For A Standard 29" Desk Height Application

- The storage element beneath the lower worktop is specified with a standard finished or unfinished storage top; no spacer.
- The higher adaptable Convergent Worksurface requires a slip-fit pad on one end and floor support on the opposite end.
- The floor support may not be a single leg/or post for support and load purposes.
- For support and load purposes the minimum overlap between the Convergent Worksurface and the lower worktop is 12".

Panel Based Application



Freestanding Application

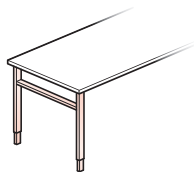


Note The convergent worktop must be rectangular for support and load purposes; non-rectangular convergent surfaces not allowed.

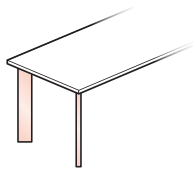
Convergent Worksurface Support Options



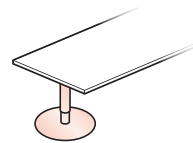
Do



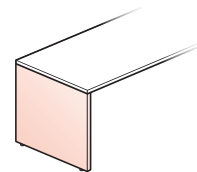
Double Support Leg



Support Post



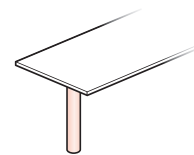
Adjustable Height Disc Base



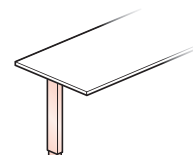
Worksurface Support End - Desk Height



Don't



Support Column



Support Post

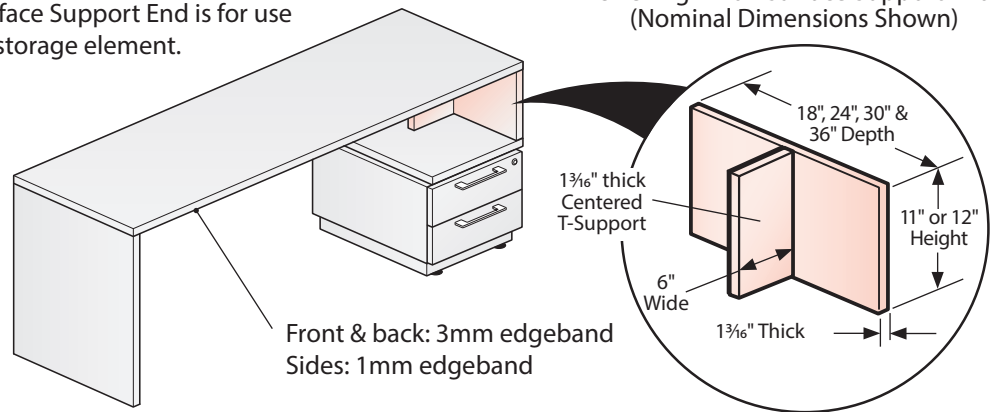


A separately specified worksurface reinforcement channel is recommended for 50" worksurface spans that are heavily loaded and/or not supported by mid-span cantilever or worksurface support panel/end.

Product Applications – Compose Storage

Planning With One-High Worksurface Support End

The One-High Worksurface Support End is for use with a one-high lower storage element.



One-high lower storage elements for use with a One-High Worksurface Support End include:

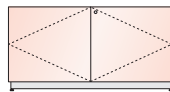
Pedestal



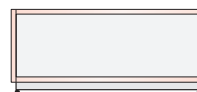
Lateral File



Storage Unit With Doors



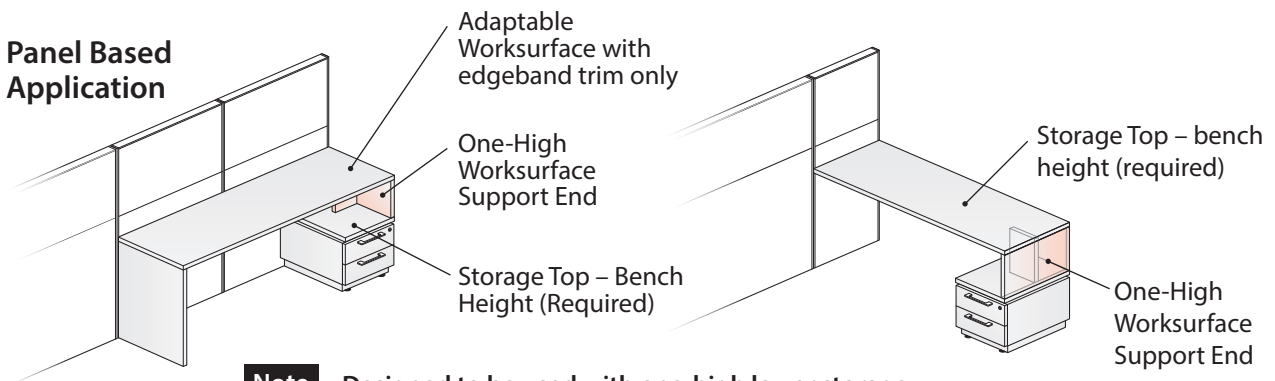
Storage Unit Without Doors



General Application Guidelines for Panel and Freestanding applications:

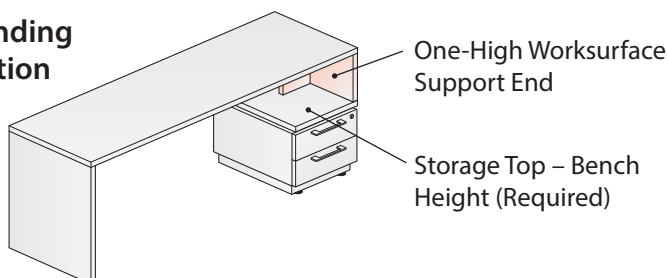
- The One-High Worksurface Support End is used with a **one-high lower storage element** and a Storage Top.
- The separately specified storage top is required and attaches to the one-high lower storage element creating a bench height surface.
- The bottom of the One-High Worksurface Support End attaches to the bench height Storage Top.
- The top of the One-High Worksurface Support End attaches to the desk height Adaptable Worksurface with L-brackets; requires field drilling.
- **The One-High Worksurface Support End is for use with Adaptable Worksurfaces with edgeband trim only for dimensional alignment.**
- A spacer is optional for the one-high lower storage element.
- When used in a panel application the One-High Worksurface Support End does not attach into the Compose panel slots.
- The One-High Worksurface Support End includes attachment material/hardware.

Panel Based Application



Note Designed to be used with one-high lower storage.

Freestanding Application



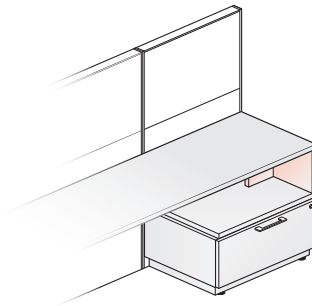
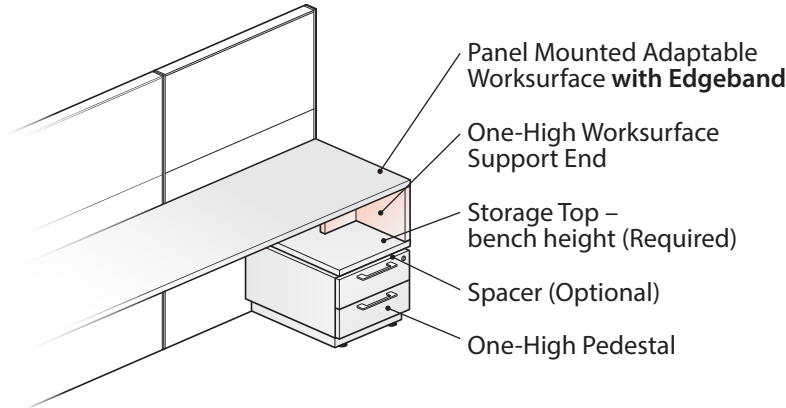
Product Applications – Compose Storage

Planning With One-High Worksurface Support End/Compose Panel Application

The One-High Worksurface Support End does not attach to the Compose panel. In an End-of-Run condition the One-High Worksurface Support End does not provide panel floor support. Refer to the Compose Panel Support and Load guidelines for required planning information.

End-Of-Run Application

One-High Worksurface Support End **does not provide panel floor support.**



One-High Worksurface Support End may also be used with a one-high lateral file and/or a storage unit with or without doors.

The One-High Worksurface Support End is available in two heights; 11" and 12" high.

Planning models shown below:

- **For a 29" desk height worksurface application** – the one-high lower storage element requires a separately specified Storage Top above the lower storage element:
 - Specify 11" high One-High WS Support End for lower storage element with a spacer
 - Specify 12" high One-High WS Support End for lower storage element with a finished or unfinished top (no spacer)
- **For a 28" desk height worksurface application** – the one-high lower storage element requires a separately specified Storage Top above the lower storage element:
 - Specify 11" high One-High WS Support End and lower storage element with a finished or unfinished top (no spacer)

- Note**
- One-High Worksurface Support End does not attach into the Compose panel frame mounting slots.
 - The Adaptable Worksurface Side/Corner Bracket is not for use with the bench height storage top or the desk height adaptable worksurface in a One-High Worksurface Support End application.
 - Lower storage element does not require a counterweight when used with One-high Worksurface Support End.
 - Storage Tops are standard with edgeband, only.

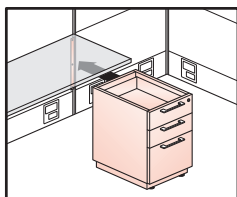
Compose Panel Floor Support

Compose Storage One-High Worksurface Support End does not provide panel floor support. Refer to the Compose Panel Support and Load Guidelines for application details for balanced and unbalanced panel conditions.

Group A: Panel Floor Support

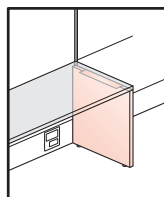


Do

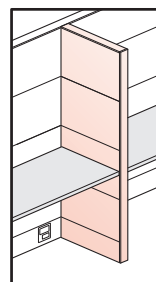


X Series

Attached Pedestal with Pedestal-to-Panel Bracket



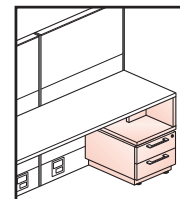
Panel



Return Panel



Does not provide panel floor support



One-High worksurface Support End does not provide panel floor support.



Tips The One-High Worksurface Support End is not for use with X or V Series storage.

Product Applications – Compose Storage

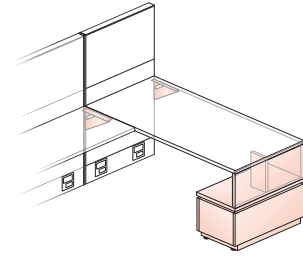
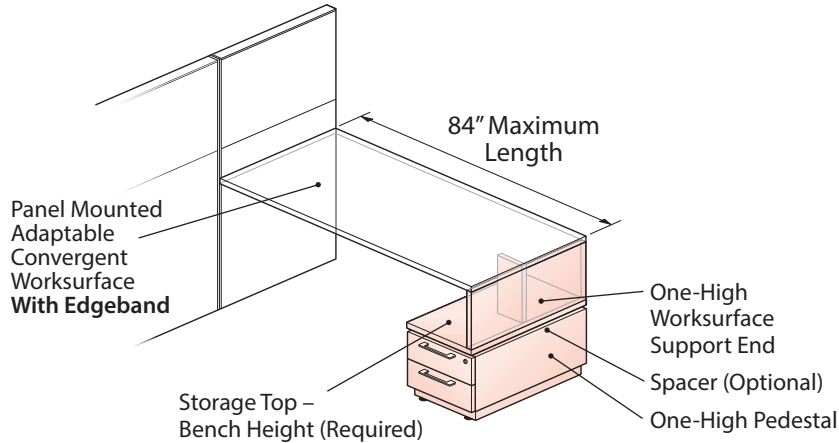
Planning With One-High Worksurface Support End/Compose Panel Application

The One-High Worksurface Support End used in a convergent worksurface application provides **Group B Panel Floor Support**. Refer to the Compose Panel Support and Load guidelines for planning information.

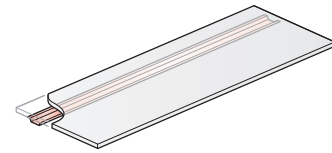
- The convergent worksurface may not exceed the maximum length of 84”.

Convergent Worksurface Application

- One-High Worksurface Support End provides panel floor support in a convergent worksurface application.



One-High Worksurface Support End may also be used with a one-high lateral file and/or a storage unit with or without doors.



Length: 16”, 24”, 32”, 39”, 47” and 54”

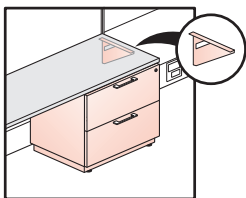
Reinforcement Channel

Separately specified worksurface reinforcement channels provide additional support for worksurfaces with 50” (1270mm) spans that are heavily loaded and not supported by mid-span cantilevers or worksurface support panels.

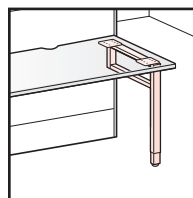
The One-High Worksurface Support End is available in two heights; 11” and 12” high Planning models shown below:

- For a 29” desk height worksurface application – the one-high lower storage element requires a separately specified storage top:
 - Specify 11” High — One-High WS Support End for lower storage element with a spacer.
 - Specify 12” High — One-High WS Support End for lower storage element with a finished or unfinished top (no spacer)
- For a 28” desk height worksurface application – the one-high lower storage element requires a separately specified Storage Top:
 - Specify 11” high One-High WS Support End and lower storage element with a finished or unfinished top (no spacer)

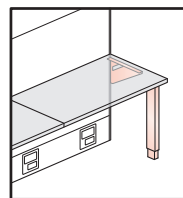
Compose Panel System – Group B Panel Floor Support



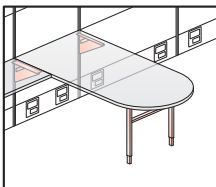
X Series
Attached Lateral File with Cantilever



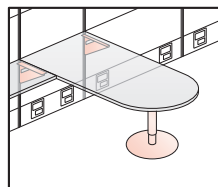
P-Leg



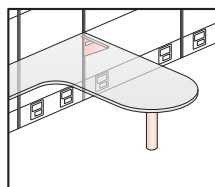
Support Post With Cantilever



Double Support Leg With Cantilevers

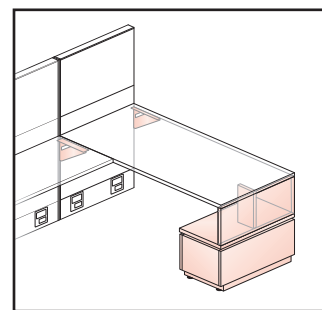


Adjustable Height Disc Base with Cantilevers



Support Column

New Option For Group B - Panel Floor Support



One-High Worksurface Support End with Compose Storage Element and Cantilevers

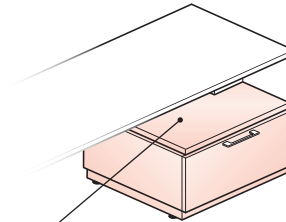
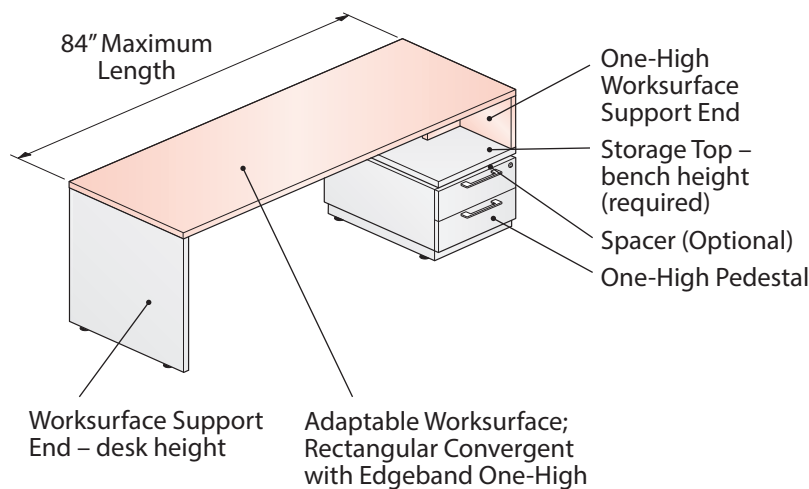


Tips The One-High Worksurface Support End is not for use with X or V Series storage.

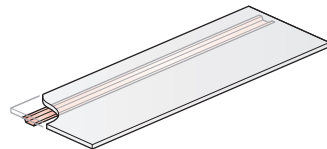
Product Applications – Compose Storage

Planning with One-High Worksurface Support End/Freestanding Application

The One-High Worksurface Support End may be used in a freestanding application. The convergent worksurface may not exceed the maximum length of 84".



Storage Top – bench height (required)
One-High Worksurface Support End may also be used with a one-high lateral file and/or a storage unit with or without doors.



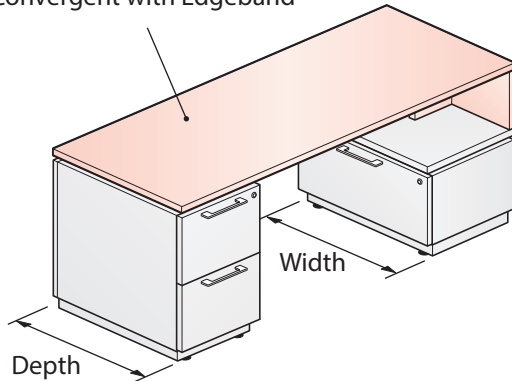
Length: 16", 24", 32", 39", 47" and 54"

Reinforcement Channel

Separately specified worksurface reinforcement channels provide additional support for worksurfaces with 50" (1270mm) spans that are heavily loaded and not supported by mid-span cantilevers or worksurface support panels.

- Note**
- One-high lower storage element requires a separately specified finished back when exposed.
 - Lower storage element does not require a counterweight when used with One-high Worksurface Support End.
 - Storage Tops are standard with edgeband only.

Adaptable Worksurface; Rectangular Convergent with Edgeband



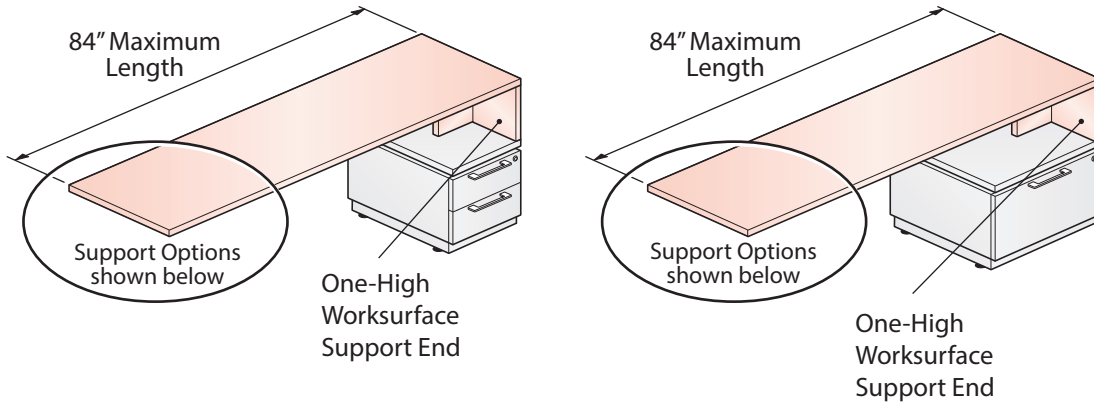
Two storage elements may be used to support an Adaptable Convergent Worksurface with edgeband trim. Both storage units may have the same nominal width / or depth (or) one storage unit's nominal depth may be the same as the other storage unit's nominal width.

- Tips**
- The One-High Worksurface Support End is available in two heights: 11" and 12" high.
 - See below for planning models:
 - For a 29" desk height worksurface application – the one-high lower storage element requires a separately specified Storage Top for use above the lower storage element:
 - Specify 11" high One-High WS Support End for lower storage element with a spacer
 - Specify 12" high One-High WS Support End for lower storage element with a finished or unfinished top (no spacer)
 - For a 28" desk height worksurface application / one-high lower storage element requires a separately specified Storage Top for use above the lower storage element:
 - Specify 11" high One-High WS Support End and lower storage element with a finished or unfinished top (no spacer)

Product Applications – Compose Storage

Planning With One-High Worksurface Support End/Freestanding Application

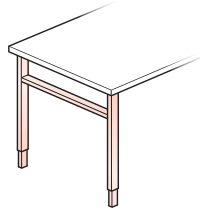
A One-High Worksurface Support End supports one end of the Adaptable Convergent Worksurface (with edge band trim), the opposite end may be supported by any of the support options shown below.



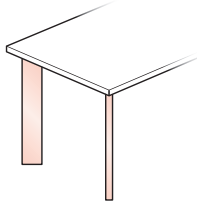
Support Options



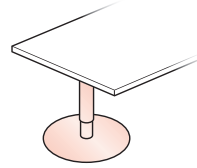
Do



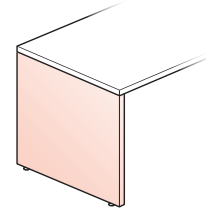
Double Support Leg



Support Leg



Adjustable Height Disc Base

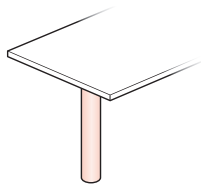


Worksurface Support End - Desk Height



Don't

Not for use in a freestanding application



Support Column



The One-High Worksurface Support End is available in two heights: 11" and 12" high.

- See below for planning models:

- For a 29" desk height worksurface application – the one-high lower storage element requires a separately specified Storage Top above the lower storage element:
 - Specify 11" high One-High WS Support End for lower storage element with a spacer
 - Specify 12" high One-High WS Support End for lower storage element with a finished or unfinished top (no spacer)
- For a 28" desk height worksurface application / one-high lower storage element requires a separately specified Storage Top above the lower storage element:
 - Specify 11" high One-High WS Support End and lower storage element with a finished or unfinished top (no spacer)

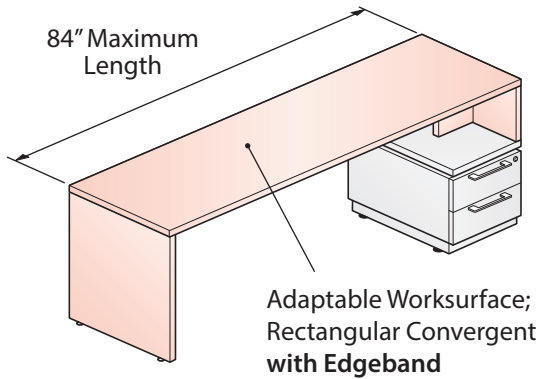
Product Applications – Compose Storage

Planning With One-High Worksurface Support End

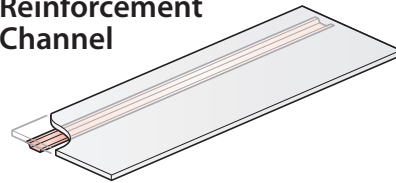
The One-High Worksurface Support End is for use with rectilinear worksurface shapes, only. It is not for use with non-rectilinear worksurface shapes such as the Bent, all corner worksurfaces including 90 degree Wrap-Around Extended, Corner 90 degree Wrap-Around Transitional for support and load reasons in freestanding applications.



Do The One-High Worksurface Support End is for use with rectilinear worksurface shapes, only.



Reinforcement Channel

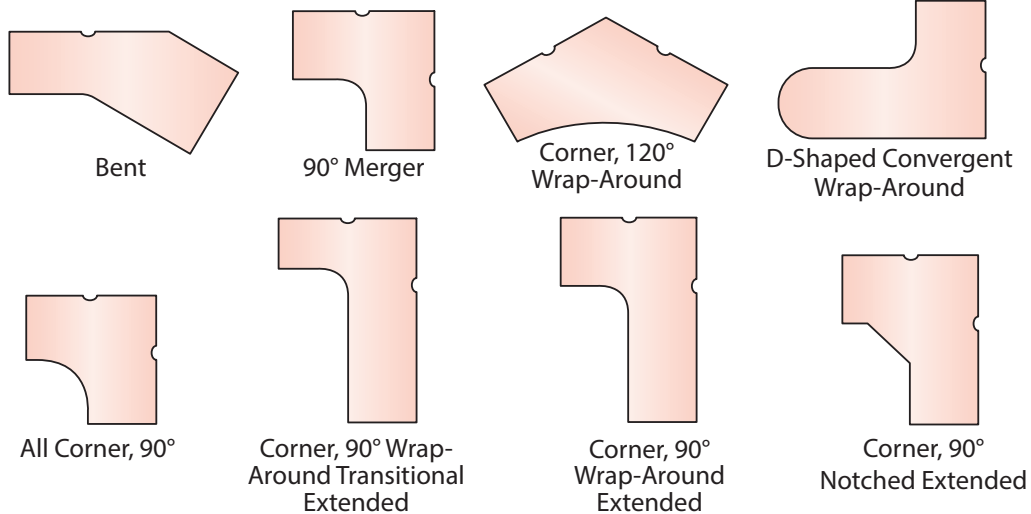


Length: 16", 24", 32", 39", 47" and 54"

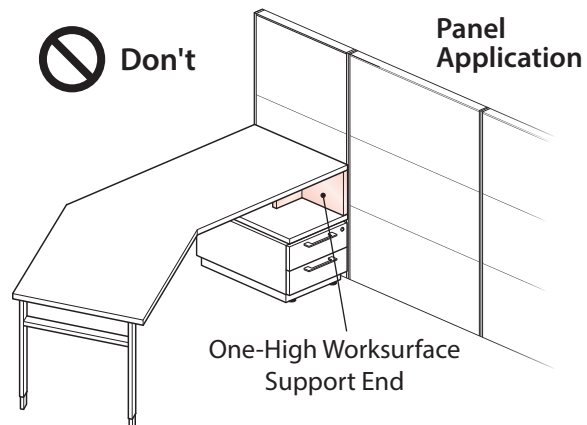
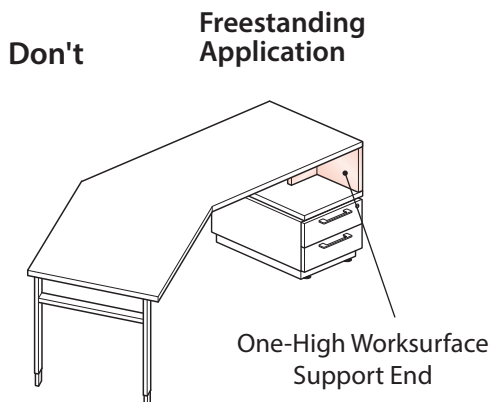
Separately specified worksurface reinforcement channels provide additional support for worksurfaces with 50" (1270mm) spans that are heavily loaded and not supported by mid-span cantilevers or worksurface support panels.



Don't Non-rectilinear worksurfaces are not for use in a One-High Worksurface Support End freestanding applications.



Non-Rectilinear Worksurface Application



Note

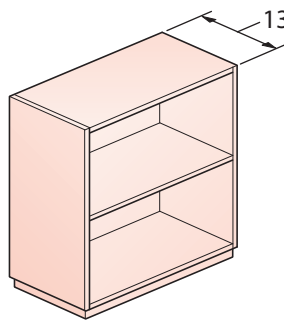
One-High Worksurface Support End does not provide panel support. Compose panel attachment brackets do not work in conjunction with the One-High Worksurface Support End.

Product Applications – Compose Storage

Planning With Stack-On Storage Units

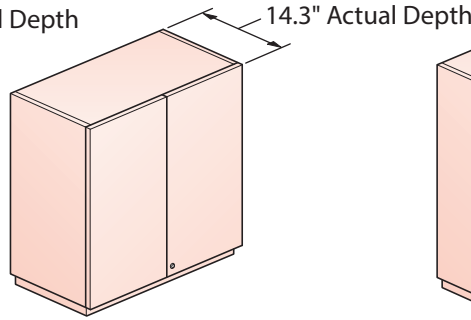
Stack-On Storage Units provide vertical upper storage. May be used in a panel or non-panel based application. Available 30" and 36" wide and are standard with an unfinished inset back.

Stack On Storage Unit

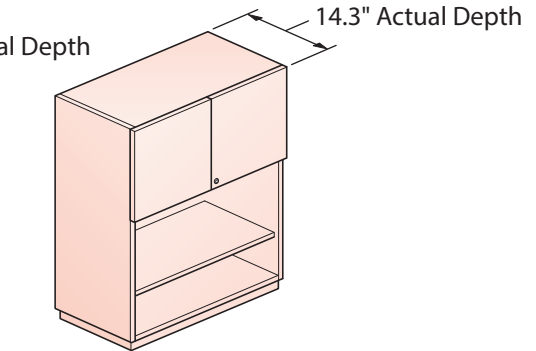


Without Doors

Units without and With Full Height Doors are available:
19", 27", 31", 35", 39", 43", 47", 55" high



With Full Height Doors



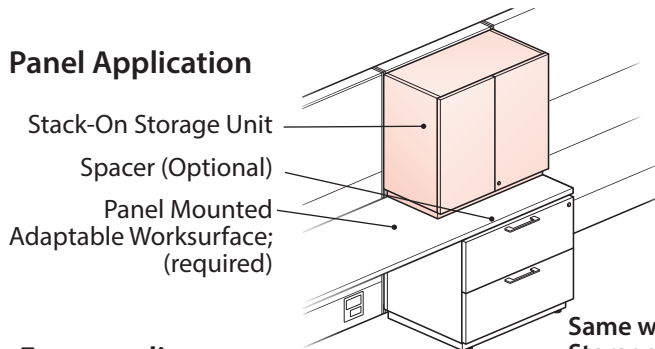
With Partial Doors on Top

Units With Partial Doors are available:
35", 43", 47", 55" high

Application Guidelines for Stack-On Storage Units

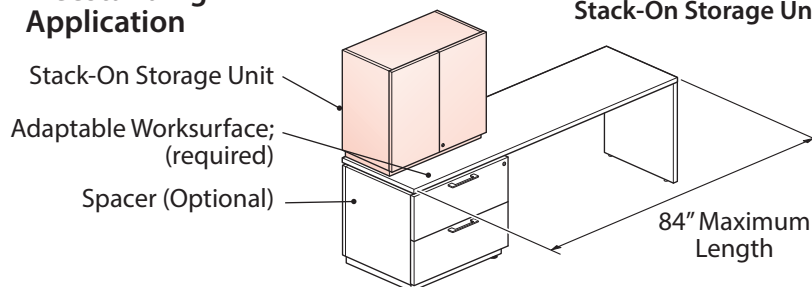
- Stack-On Storage Units are for use with one-high, one and one-half high and two-high lower storage elements. Not for use with three-high lower storage elements.
- A Lower Storage element provides foundation support for the Stack-On Storage Unit. Lower storage width must be the same or greater than the and Stack-On Storage Unit.
- The Stack-On Storage Unit may not be installed directly on top of the lower storage unit; requires a separately specified Storage Top or an Adaptable Worksurface.
- The Stack-On Storage Unit includes attachment material for attaching to Storage top or Adaptable Worksurface.
- A spacer is optional for the lower storage element; counterweight is not required.
- The bottom of the Stack-On Storage Unit attaches to the Storage Top or adaptable worksurface; field drilling not required.
- In a panel application the back of the Stack-On Storage Unit does not attach to the Compose panel.

Panel Application

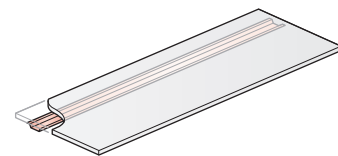


Same width Lower Storage Element and Stack-On Storage Unit.

Freestanding Application



Reinforcement Channel



Length: 16", 24", 32", 39", 47" and 54"

Separately specified worksurface reinforcement channels provide additional support for worksurfaces with 50" (1270mm) spans that are heavily loaded and not supported by mid-span cantilevers or worksurface support panels.

Note • The Stack-On Storage Unit is standard with an unfinished inset back. Optional finished back must be specified separately if required for aesthetic reasons. Finished Back adds 3/4" to depth of unit.



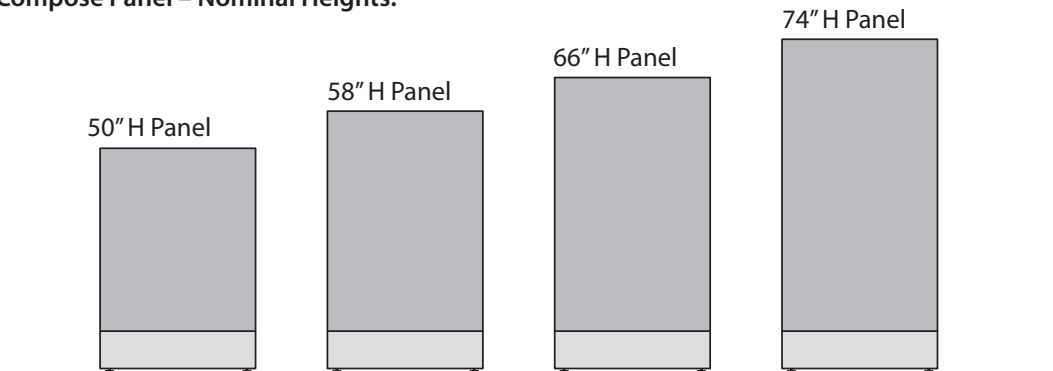
- Stack-On Storage Units are not dimensioned for use with X or V Series storage.
- In a panel mounted application the depth of the lower storage element may be a maximum 6" shallower than the of the adaptable worksurface depth.

Product Applications – Compose Storage

Planning With Stack-On Storage Units

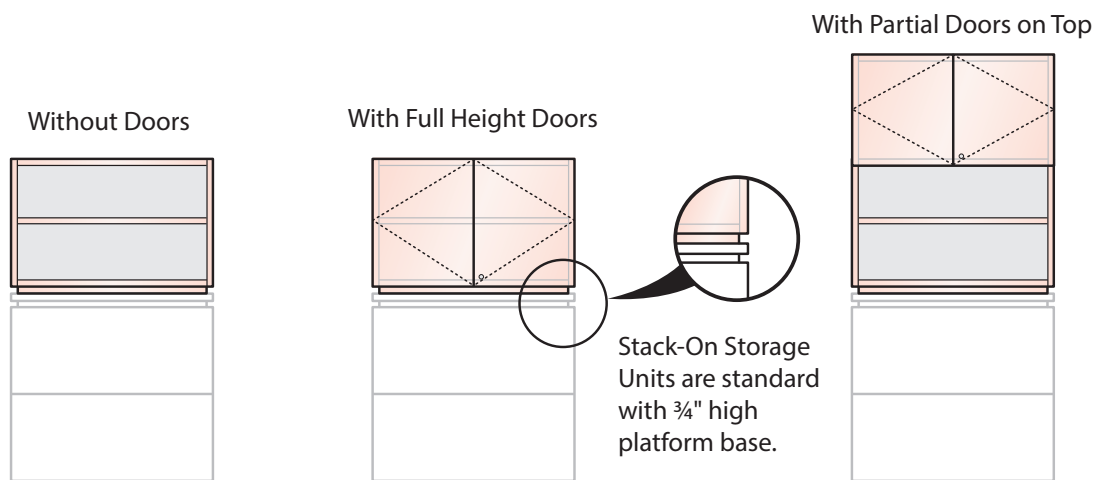
Stack-On Storage Unit heights are designed to compliment select Compose panel heights. Applicable panel heights include 50", 58", 66" and 74".

Compose Panel – Nominal Heights:



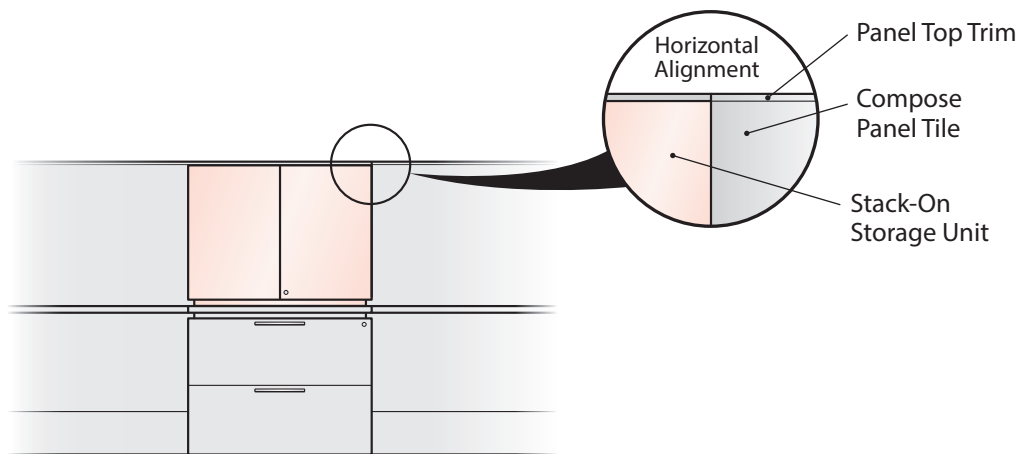
Stack On Storage Units

Stack-On Storage Unit is standard with platform base; not height adjustable.



Horizontal Alignment

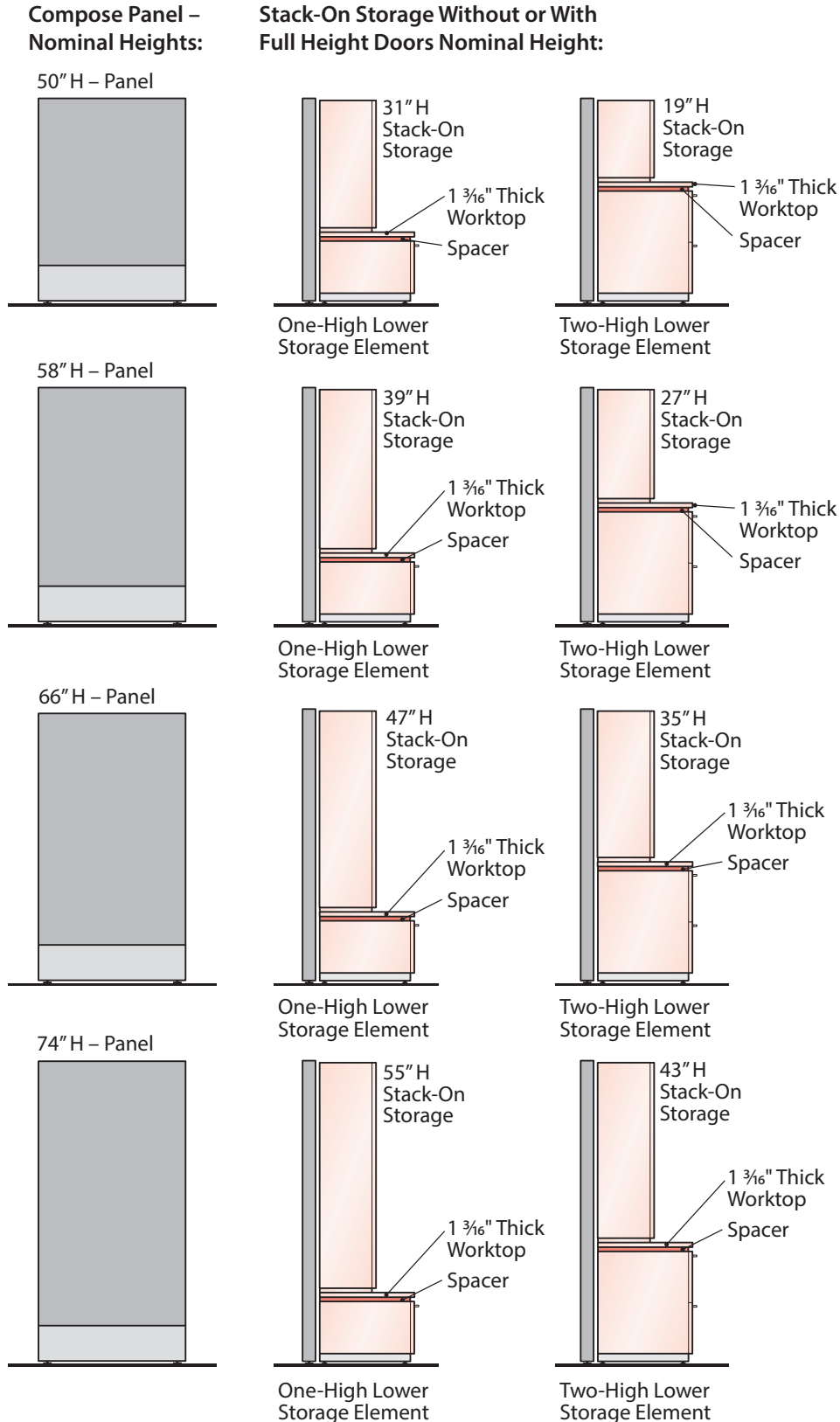
Positioning the Stack-On Storage Unit with the recommended one- or two-high lower storage element allows for horizontal alignment between the Compose panel and the Stack-On Storage Unit.



Product Applications – Compose Storage

Planning With Stack-On Storage Unit – With or Without Full Height Doors

See below for Stack-On Storage Unit heights with the recommended one- or two-high lower storage element for horizontal alignment between the Compose panel height.



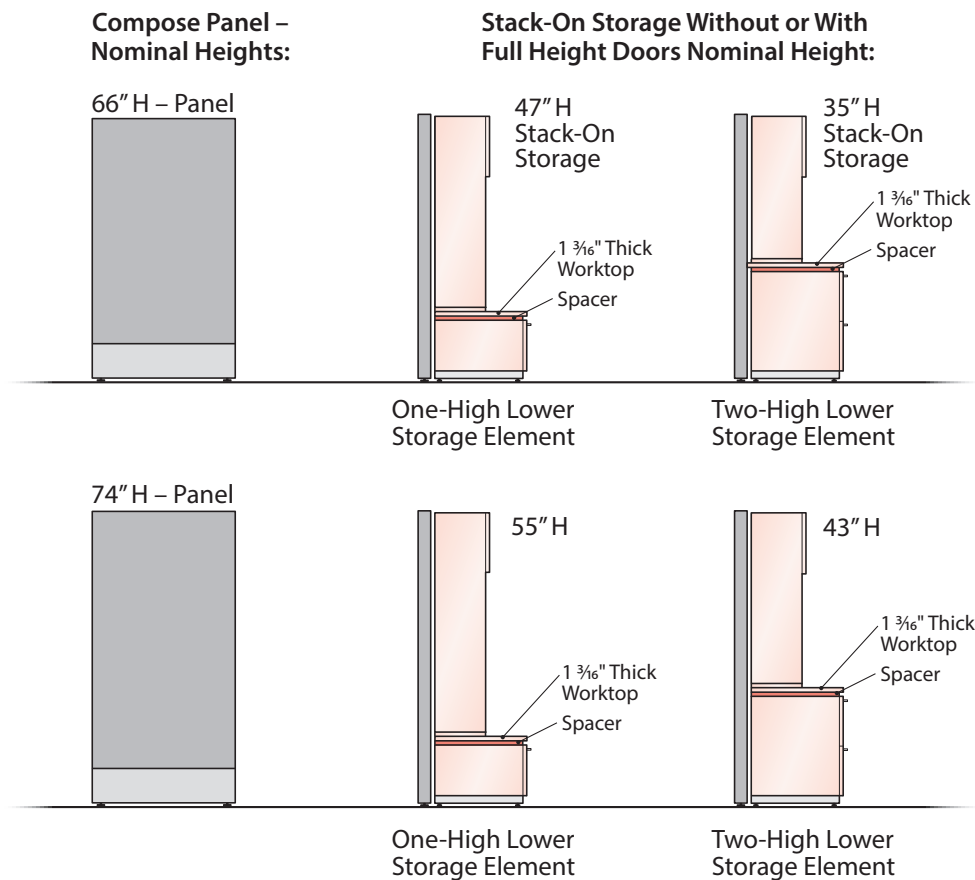
Note

• One and One-Half High Lower Storage used with Stack-On Upper Storage will not align with Compose Panel heights.

Product Applications – Compose Storage

Planning With Stack-On Storage Unit – With Partial Doors on Top

See below for Stack-On Storage Unit heights with the recommended one- or two-high lower storage element for horizontal alignment between the Compose panel height.



Note

- One and One-Half High Lower Storage used with Stack-On Upper Storage will not align with Compose Panel heights.

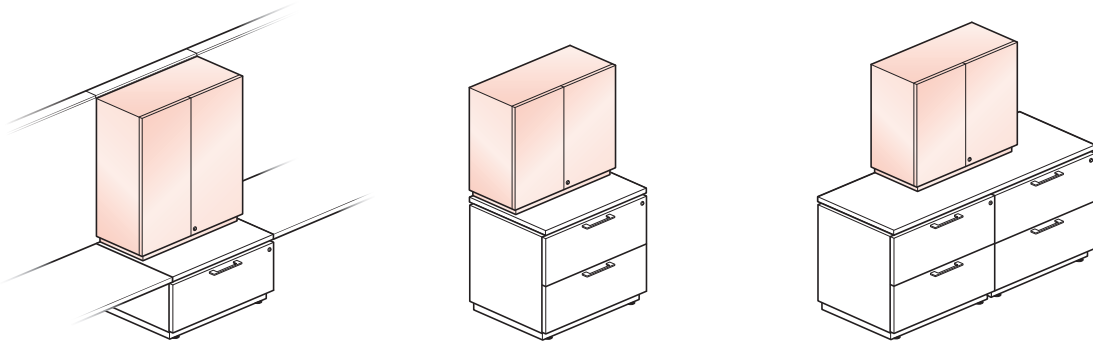
Product Applications – Compose Storage

Planning With Stack-On Storage Units

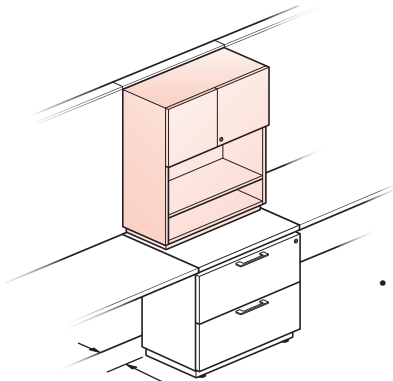
See below for examples of acceptable and unacceptable Stack-On Storage Unit applications.



Do



- Stack-On Storage Units are for use with one-high, one and one-half high or two-high lower storage elements.
- Lower storage element must be the same width or wider than as the Stack-On Storage Unit.

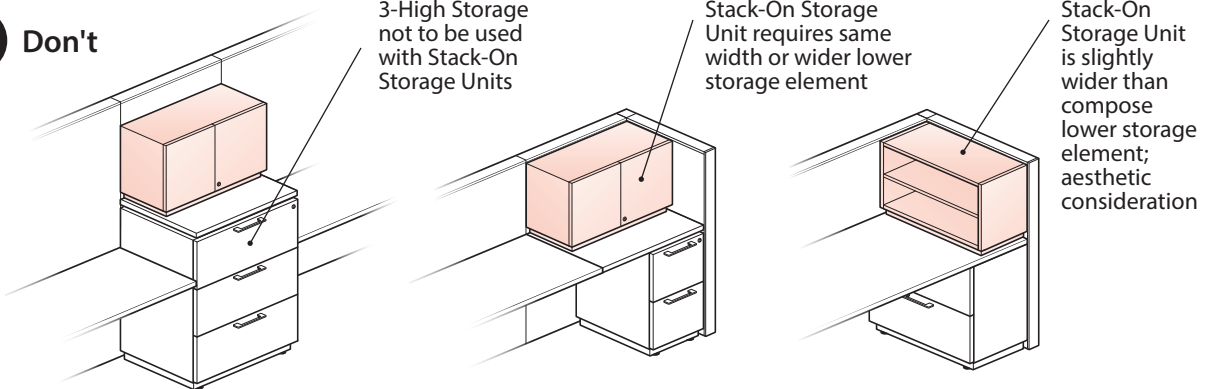


Maximum 6" shallower than the worksurface

- Depth of the lower storage may be a maximum of 6" less than the panel mounted adaptable worksurface nominal depth.



Don't



3-High Storage not to be used with Stack-On Storage Units

Stack-On Storage Unit requires same width or wider lower storage element

Stack-On Storage Unit is slightly wider than compose lower storage element; aesthetic consideration

- Stack-On Storage Unit is not for use on three-high lower storage element.
- Width of Stack-On Storage Unit exceeds width of Lower Storage Unit.
- Lateral Storage dimensional logic does not match dimensional logic of worksurface.

Note

• One and One-Half High Lower Storage used with Stack-On Upper Storage will not align with Compose Panel heights.

Tips

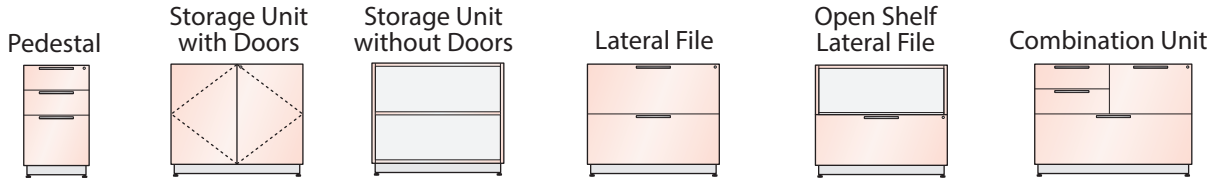
- Stack-On Storage Units are not dimensioned for use with X or V Series storage.
- In a panel mounted application the depth of the lower storage element may be a maximum 6" shallower than the of the adaptable worksurface depth.

Product Applications – Compose Storage

Planning With Worksurface Support Brackets In A Panel Application

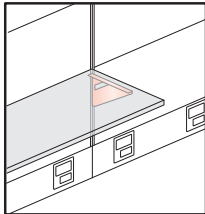
Worksurface support must be separately specified in a Compose Storage application. Refer to the adaptable worksurface and Compose panel planning guidelines for required support. Exception to this rule is the Compose Pedestal-to-Panel bracket which is not for use with Compose Storage elements.

Lower Storage elements for use with adaptable worksurface support brackets:



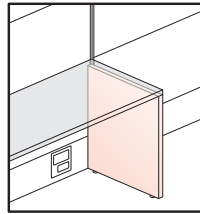
Do

Use Adaptable support brackets in a Compose Storage application. Refer to the worksurface planning section in the Compose Specification Guide for application guidelines.



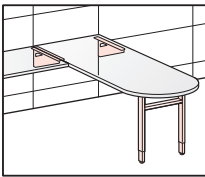
Standard Cantilever Bracket

- Right, left or pair
- 16" depth for use on 18", 24" and 30" depth worksurfaces



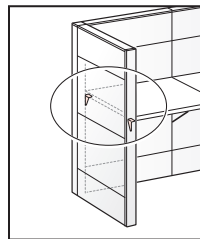
Worksurface Support Panel

- 1½" thick
- Non-handed
- Right, left or shared applications
- Provides full support for one end of equal depth worksurfaces (may specify 6" shorter than worksurface depth)
- Specify for applications with overhead storage and worksurfaces
- Specify to match worksurface edge option
- Height adjustment of 2½" (29"-31½")



Standard Link Cantilever Bracket

- Right, left or pair
- Includes Cantilever(s) and Angle Bracket(s) for use on Conference End and Key End worksurfaces



Side/Corner Bracket

- Attached into front or back of worksurface
- Right or left

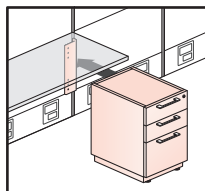
Side Bracket for Knife Edge

- Attached to front of worksurface
- Right or left



Don't

The pedestal-to-Panel Bracket is not for use with Compose Storage elements.

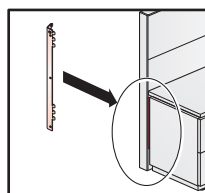


Pedestal -To-Panel Bracket



Do

Use the Storage-to-Panel Bracket with 2-high, 3-high or full height Storage elements.



Storage-to-Panel Bracket

- Note** • Not for use with one-high one and one-half high lower storage elements.

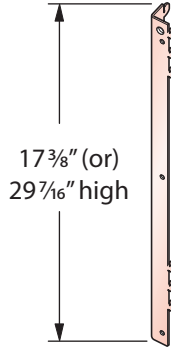
Product Applications – Compose Storage

Planning With Storage-To-Panel Bracket

The Storage-to-Panel Bracket is available in two heights; 17 3/8" or 29 7/16" high x 1 1/2" wide, x 3/4" deep. The 17-3/8" height is for use with a two-high lower storage element and the 29 7/16" height is for use with a three-high lower storage element and/or full height storage. The separately specified bracket is for use with Compose Storage and Compose Full Panel Frames, only. Available in standard and metallic paint colors.

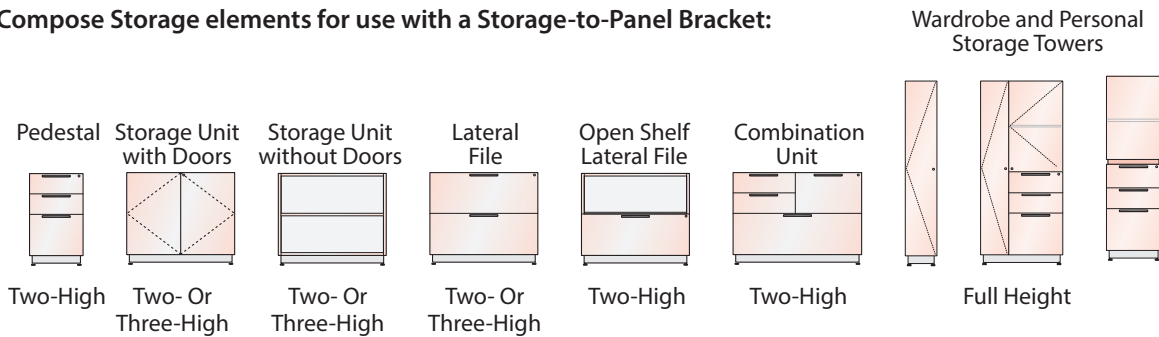
BZBG-0002
for two-high storage

BZBG-0003
for use with three-high
and full height storage

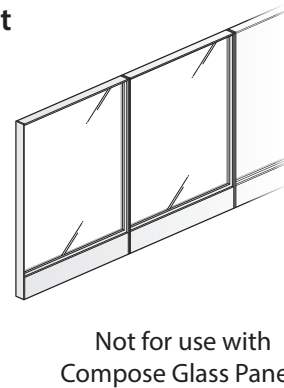
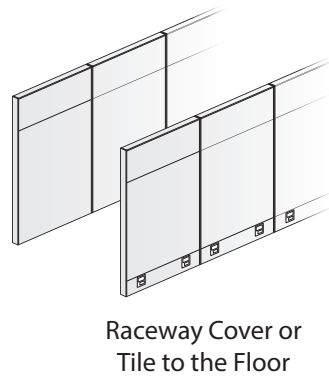
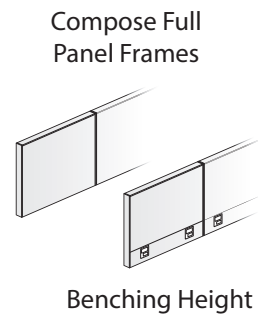


- Note**
- Bracket is non-handed for maximum flexibility.
 - For use with standard unfinished inset storage back or a separate specified finished back.
 - Not for use with one-high or one and one-half lower storage.

Compose Storage elements for use with a Storage-to-Panel Bracket:



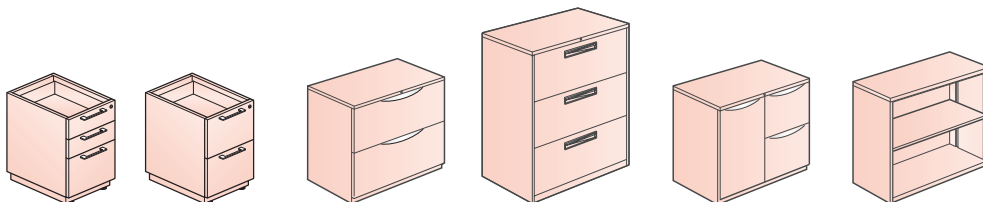
The Storage-to-Panel Bracket is for use with a Compose Full Panel Frame. It is not for use with Compose Glass Panels, X or V Series Storage including X Series Active Storage.



Note • The 29 7/16" high bracket (BZBG-0003) is not for use with Compose Benching height panel.



Don't The Storage-to-Panel Bracket is not for use with X or V Series Storage; inclusive of X Series Active Storage, 950 Series and Beside Storage.




Product Applications – Compose Storage

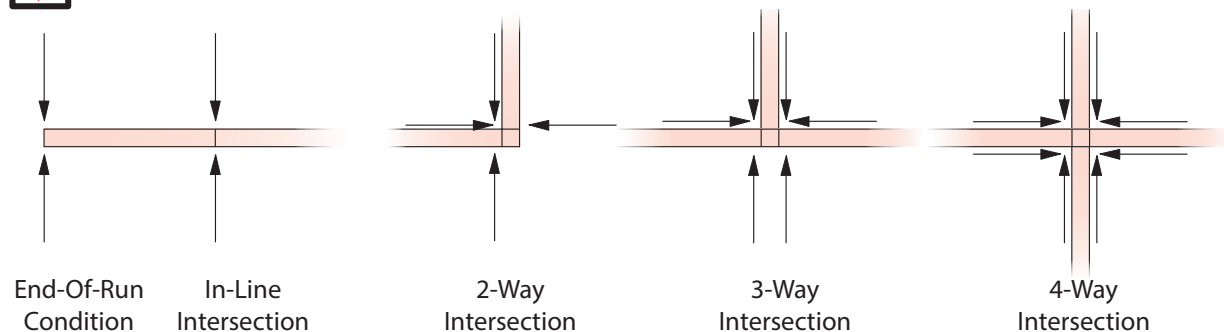
Planning With Storage-to-Panel Bracket

General Application Guidelines:

- The Storage-to-Panel Bracket is used with two-high, three-high, and full height storage elements to provide Group A – Panel Floor Support.
- The Storage-to-Panel Bracket is field drilled into the back of the storage element and attaches into the component mounting slots of the Compose full panel frame; Compose panel may have base raceway or tile to the floor.
- Designed for use with Adaptable worksurfaces with edgeband or cascade trim; not for use with T-mold or Knife edge worksurfaces.
- Adaptable Worksurface and the lower storage element must be the same nominal depth when back of storage is parallel to the Compose panel.
- For use with all leg/base options; chamfer leg, plinth or side panel base.
- For use with all spacer options: floating spacer, solid spacer or no spacer.
- Flexible design allows the bracket to be used with lower storage standard inset unfinished back or a separately specified finished back.
- Non-handed design allows for left- or right-hand installation.
- The Storage-to-Panel Bracket includes attachment hardware.

Storage-to-Panel Bracket - Panel Attachment Locations


 **Do** Bracket Attachment Locations – 90° panel applications



Storage-to-Panel Bracket must align with the mounting slots in the Compose full panel frame. For use in 90 degree panel intersections.

 **Don't** Storage-to-Panel Bracket not for use in 120° panel applications



 **Tips** Storage-to-Panel Bracket is not for use with Compose Storage one-high or one and one-half high storage elements or X and V Series Storage inclusive of the X Series Active Storage.

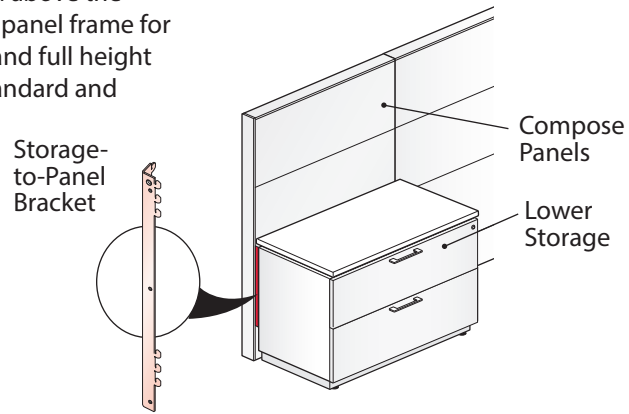
Product Applications – Compose Storage

Planning With Storage-to-Panel Bracket

Storage-to-Panel Bracket / Height Relationships

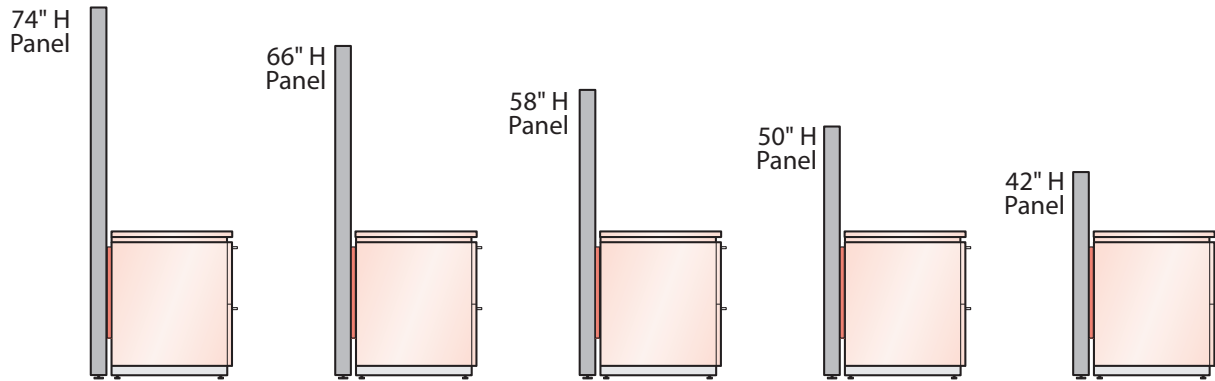
General Application Guidelines:

The Storage-to-Panel Bracket is always installed above the base raceway location within the Compose full panel frame for all storage applications; two-high, three-high, and full height storage elements. The bracket is available in standard and metallic paint colors.



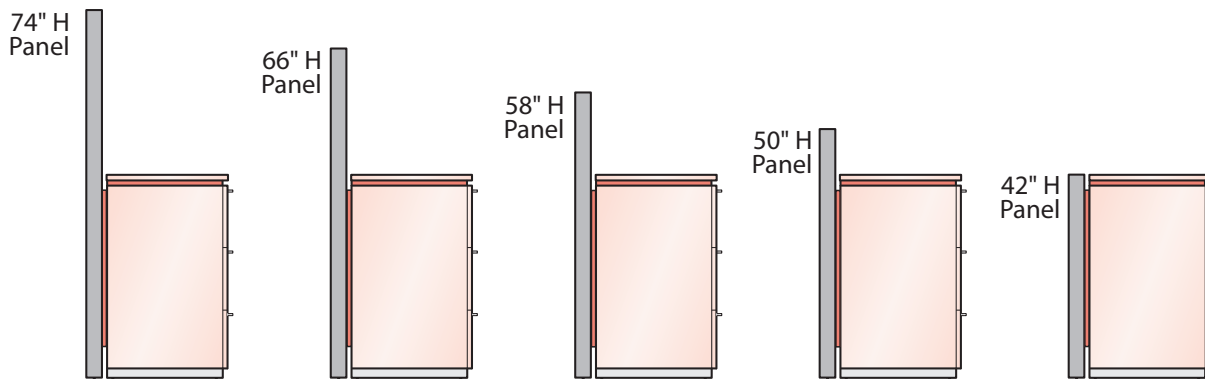
Two-High Storage

Nominal Panel Height



Three-High Storage

Nominal Panel Height



Note • The Storage-to-Panel Bracket is not for use with one-high or one and one-half high lower storage elements.

Product Applications – Compose Storage

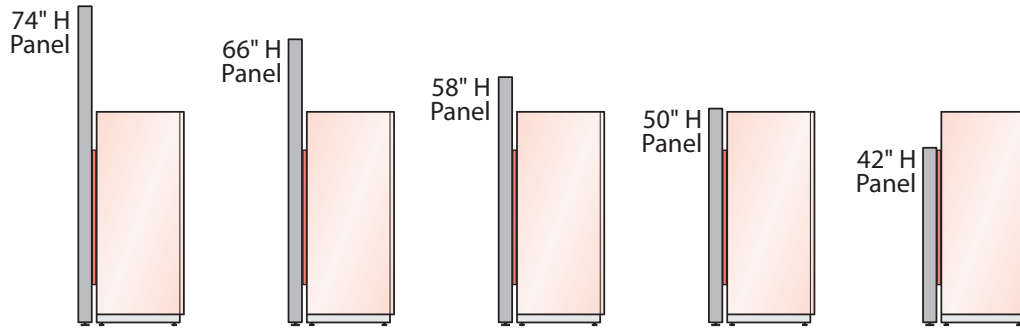
Planning With Storage-to-Panel Bracket

Storage-to-Panel Bracket / Height Relationships

- Compose Panels & Full Height Storage

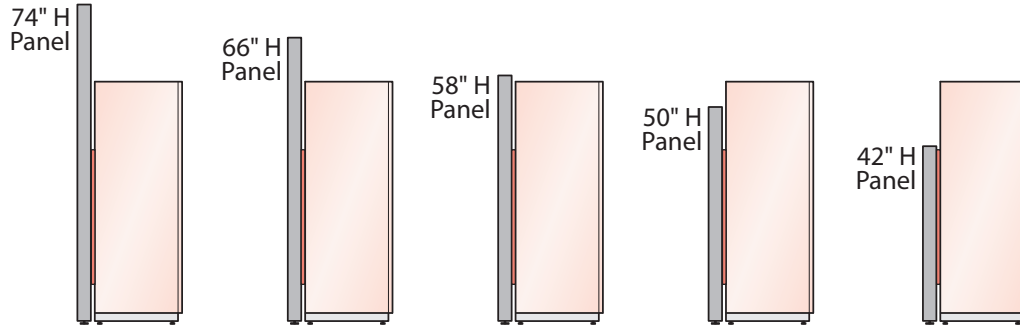
49" High Wardrobe

Nominal Panel Height



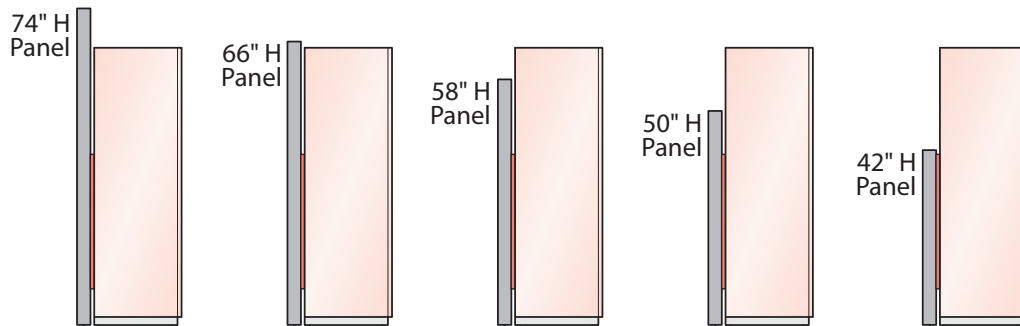
57" High Wardrobe

Nominal Panel Height



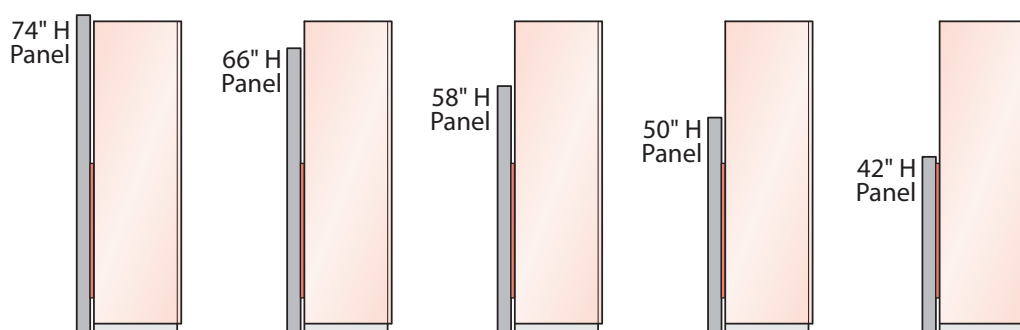
65" High Wardrobe

Nominal Panel Height



73" High Wardrobe

Nominal Panel Height



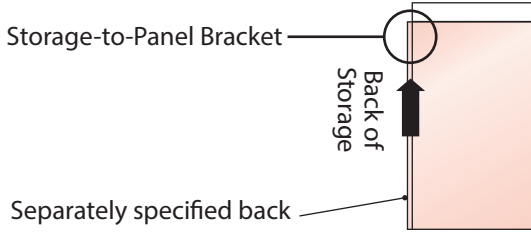
Product Applications – Compose Storage

Planning With Storage-to-Panel Bracket

Storage-to-Panel Bracket / Lower Storage Orientation – Back of Storage Element – Attachment Location

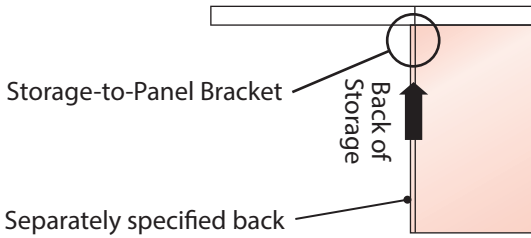
End-of- Run Panel Application

Storage perpendicular to Compose Panel



- In this application a separately specified back is needed for aesthetics. In a panel to storage back attachment location, the separately specified back will exceed the end-of-run panel trim.

In-line Panel Application



- The separately specified back will add an additional $\frac{3}{4}$ " to the depth of the storage element plan accordingly when located in an in-line or panel intersection application.
- The Storage-to-Panel Bracket is for use with the standard inset unfinished back or a separately specified back.

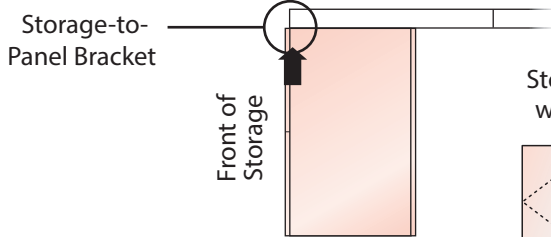
Front of Storage Element - Attachment Location

Due to the location of the internal locking mechanism in storage elements with drawers, only the Storage Unit and the Wardrobe are for use in a storage front attachment in all panel application.

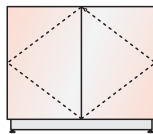
End-of- Run Panel Application



Do For Use In Storage Front Attachment Application

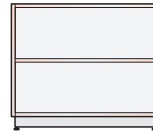


Storage Unit with Doors



Two- Or Three-High

Storage Unit without Doors



Two- Or Three-High

Wardrobe



Full-Height

The storage elements shown below are standard with lock; not for use in a storage front to panel attachment location.



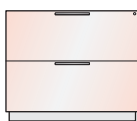
Don't Not For Use In Storage Front Attachment Application

Pedestal



Two-High

Lateral File



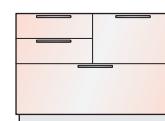
Two- Or Three-High

Open Shelf Lateral File



Two-High

Combination Unit



Two-High



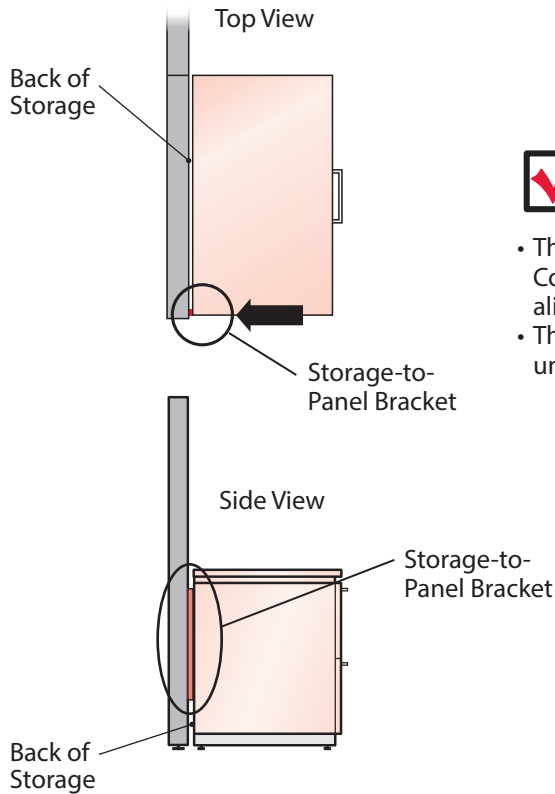
Storage-to-Panel Bracket is not for use with one-high an one and one-half high storage element or X and V Series Storage inclusive of the X Series Active Storage.

Product Applications – Compose Storage

Planning With Storage-to-Panel Bracket

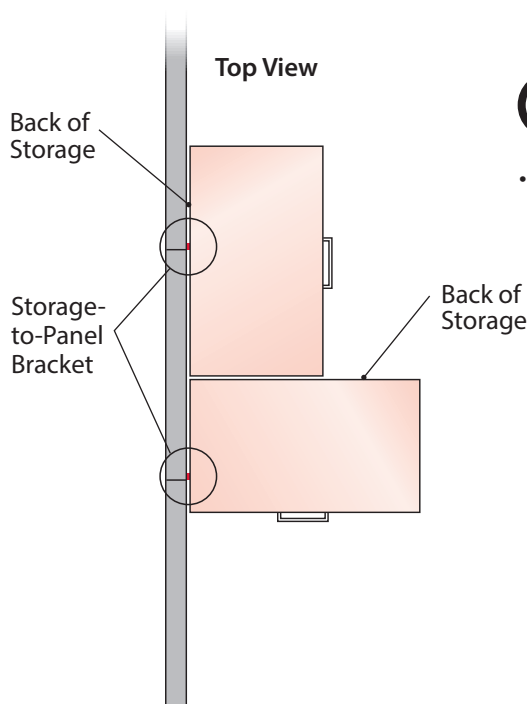
Storage-to-Panel Bracket / Lower Storage Orientation – Back of Storage Element - Attachment Location

End-of- Run Panel Application



Do

- The width of the storage element is slightly less than the Compose panel which allows the side of the storage element to align with the end-of-run panel trim.
- The Storage-to-Panel Bracket is for use with the standard inset unfinished back or a separately specified back.



Don't

- In an off-modular storage application the panel intersection does not align with side of a storage element. This application is feasible but not recommended from an installation perspective.



Storage-to-Panel Bracket is not for use with Compose Storage one-high and one and one-half high storage elements or X and V Series Storage inclusive of the X Series Active Storage.

Product Applications – Compose Storage

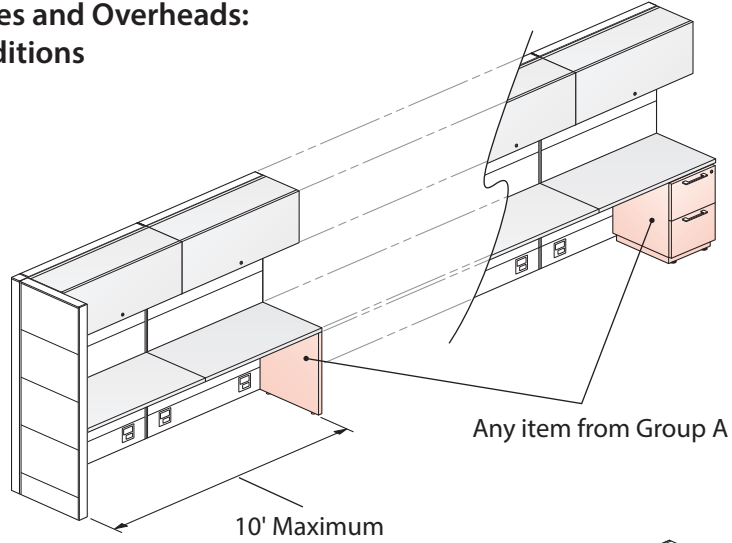
Planning With Storage-to-Panel Bracket

Refer to the Compose Support and Load guidelines for system planning when designing with the Storage-to-Panel Bracket.

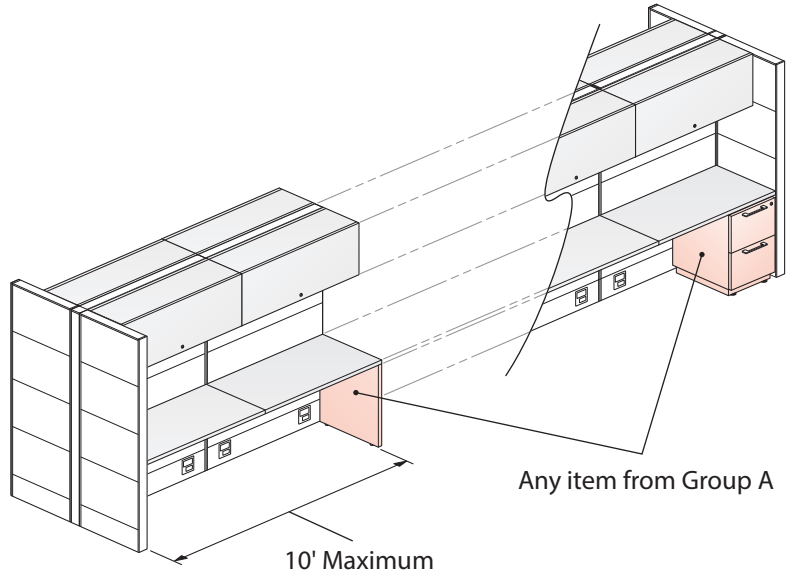
Compose Support and Load Guidelines

Panel Support with Worksurfaces and Overheads: Balanced and Unbalanced Conditions

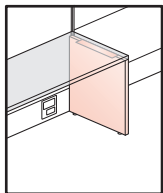
- Configurations below require full frame with tiles. If stack frames are used on panel spine, full-height return panels must be used every 10 feet.
- Unbalanced application of overheads require a full-height return panel on one end.
- Return panel height must be equal to spine height.
- Return panel depth must be equal to or greater than worksurface depth.



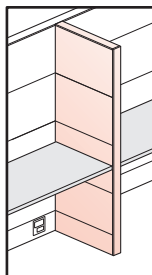
- Return panels are required on one end.
- 24" maximum return panel height difference.
- Return panel depth must be equal to or greater than worksurface depth.



Existing Group A: Panel Floor Support

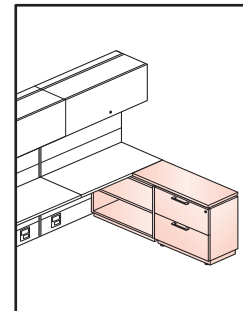
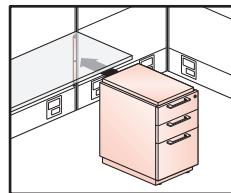


Worksurface Support Panel



Return Panel

Storage-to-Panel Bracket provides Group A: Panel Floor Support

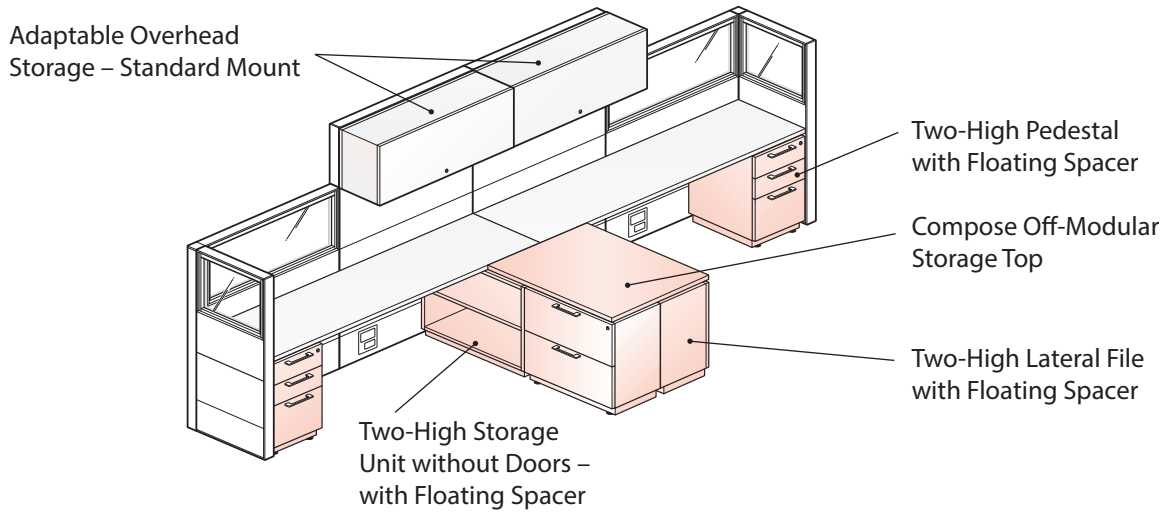


Compose Storage two-high, three-high or full height storage with Storage-to-Panel Bracket; BZBG-000(2 or 3)

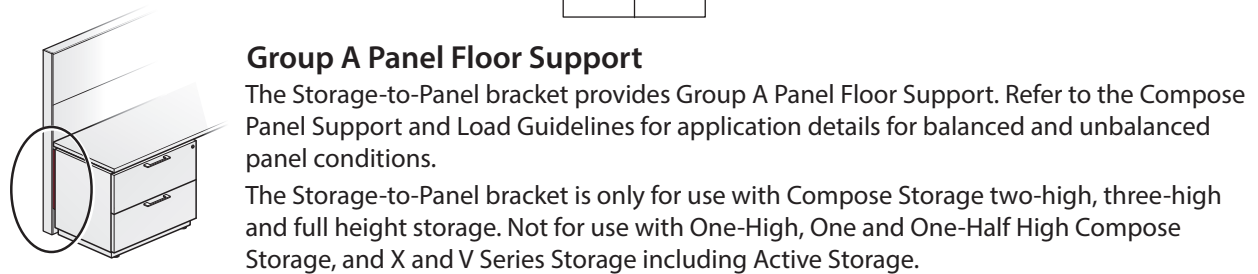
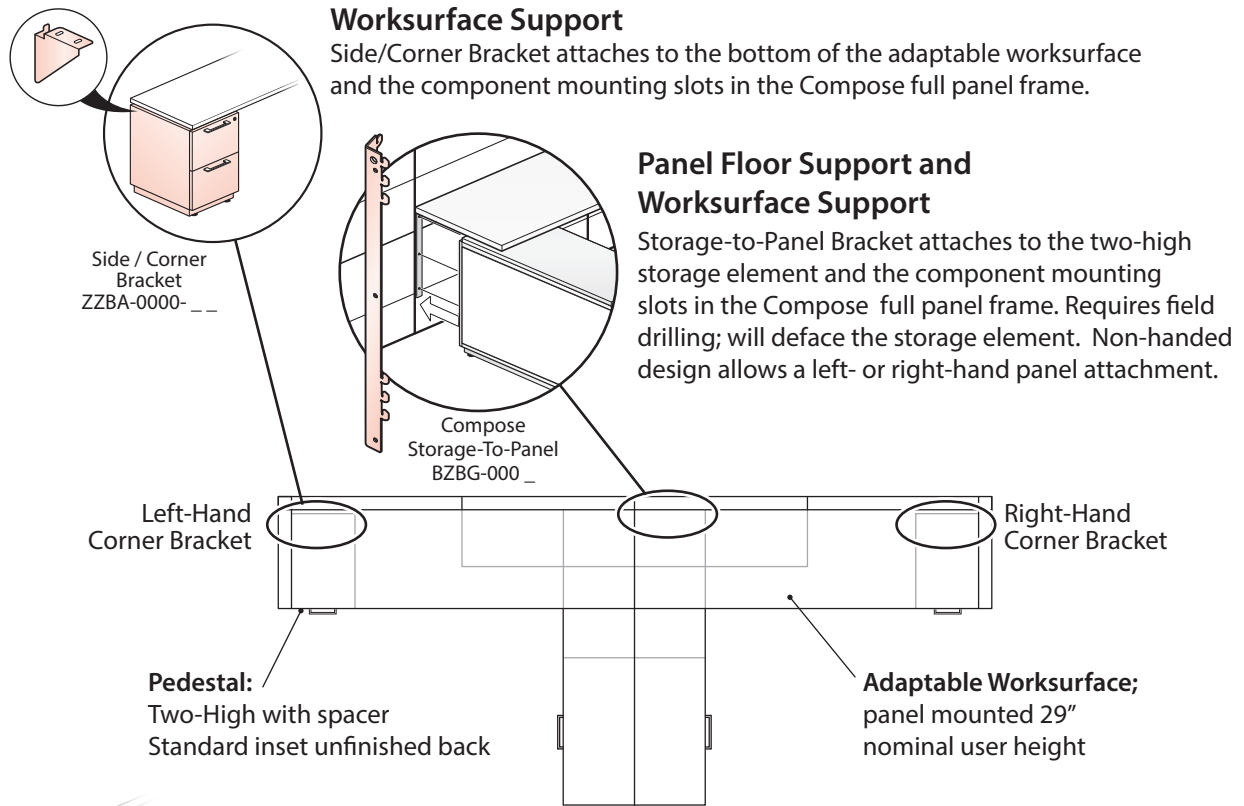
Product Applications – Compose Storage

Planning With Worksurface Support Brackets In A Panel Application

All lower storage in the application below is Compose Storage. See below for lower storage bracket application.



Two-High lower storage element may be attached to the Compose panel with a Side/Corner bracket. The Side/Corner bracket is for use with the solid or floating spacer, and the no spacer lower storage option.



Tips Storage-to-Panel Bracket is not for use with Adaptable worksurface T-Mold or Knife edge.

This page intentionally left blank.

Technical Specifications Compose Storage

Technical Specifications – Compose Storage

Pedestals

Pedestals are available in box/box, box/file, /file, and file/file configurations. Top, sides and bottom are constructed of 1/16" (17.4mm) wood composite material with wood veneer surface. Inset back is constructed of 1/16" (17.4mm) wood composite material and not intended to be visible. Optional finished back is 1/16" (17.4mm) board with veneer or laminate surface is field assembled to the back of the laterals giving a finished appearance. All drawer slides are full extension. Attached Pedestal is attached to surface with threaded mechanical fasteners. Pedestals have the option of a solid spacer made from a wood composite core, or a 1.18" (29.9mm) metal floating spacer constructed from 14 gauge steel. There is also a no spacer option where top of pedestal can be finished, or unfinished.

Pedestal fronts have the option of an Aluminum J-pull or a wood finger pull. They are also available with a variety of pulls for blending into any office environment.

Pedestals can be specified with a Plinth Base with adjustable glides giving 1" (25.4mm) of vertical adjustment, cast aluminum Chamfer Leg allowing 1" (25.4mm) of adjustment, or Side Panel Base with glides allowing 2" (50.8mm) of adjustment. Counterweights are an option, when specified, counterweight is factory installed.

Mobile Pedestals come in the same drawer configuration as pedestals, with the exception of the one-high box/box configuration, and come standard with a finished back.

Lateral Files

Compose Storage Lateral Files are offered in one, one and one-half, two or three high units. All slides for drawers are full extension with integrated cable interlock to allow one drawer opening at a time. Top, sides, and bottoms are constructed of 1/16" (17.4mm) wood composite board with wood or laminate surface. Inset back is constructed of 1/16" wood composite board. Units are assembled with dowels and adhesive manufacturing process. Optional finished back is 1/16" (17.4mm) board with veneer or laminate surface is field assembled to the back of the laterals giving a finished appearance.

Lateral files have the option of a solid spacer 1.18" (29.9mm) thick made from a wood composite core with plastic edge banding, or a 1.18" (29.9mm) metal floating spacer constructed from 20 gauge steel, or a finished top.

All units can be specified with a Plinth Base with adjustable glides giving 1" (25.4mm) of vertical adjustment, cast aluminum Chamfer Leg allowing 1" (25.4mm) of adjustment, or Side Panel Base with glides allowing 2" (50.8mm) of adjustment.

Counterweights are an option. When specified, counterweight is factory installed.

Lateral fronts have the option of an aluminum J-Pull, or Wood Finger Pull, they are also available with a variety of pulls for blending into any office environment.

Combination Unit

Combination units are available in two high only. They are available in 36" (914mm) wide, with the bottom drawer being a standard 12" (304.8mm) lateral drawer. The upper section can be open, or box/box, with a file drawer next to it. They are available in left and right configurations. The units are constructed of 1/16" (17.4mm) wood composite material and are bonded together with a glue and dowel construction. The inset back is 1/16" (17.4mm) and painted black. When back of unit is visible, an optional 1/16" (17.4mm) thick board with veneer or laminate surface can be specified and field installed. The top can be finished or unfinished, and also available with a solid wood composite spacer, or a 1.18" (29.9mm) tall 14 gauge metal floating spacer.

Drawer fronts can be specified with an aluminium J pull, or a wood finger pull. They are also available with a variety of pulls for blending into any office environment.

Unit can be ordered with or without a counterweight. Counterweight is factory installed when specified.

All units can be specified with a Plinth Base with adjustable glides giving 1" (25.4mm) of vertical adjustment, cast aluminum Chamfer Leg allowing 1" (25.4mm) of adjustment, or Side Panel Base with glides allowing 2" (50.8mm) of adjustment.

Storage Tops

Storage Tops are available in individual, common, or continuous tops that allow up to three units side by side. Tops are 13/16" (30.2mm) thick and are made with a wood composite core. Standard core: Engineered composite panel made with 100% recycled and/or recovered wood fiber bonded with resin. Worksurfaces with this core are compliant with GREENGUARD and BIFMA Standards for Low Emitting Products.

Laminate storage tops are balanced construction with a high pressure plastic laminate on the top, and an equal dimensioned backer on the bottom and available with the following plastic edges:

- Laminate surface with 3mm edgeband on the front and back edge; 1mm edgeband on the sides.
- Wood veneer surface with 3mm edgeband on front and back edge: 1mm edgeband on sides. Ships with attachment hardware to attach to lower storage units.

Technical Specifications – Compose Storage

Storage Units with Doors

Top, sides, and bottoms are constructed of $\frac{1}{8}$ " (17.4mm) wood composite material with wood or laminate surface. Inset back is constructed of $\frac{1}{8}$ " (17.4mm) wood substrate. Units are assembled with dowels and adhesive manufacturing process. When finished back is specified, $\frac{1}{8}$ " (17.4mm) board with veneer or laminate surface is field assembled to the back of the laterals giving a finished appearance.

Units with doors have touch latches and can be locking or units can be specified with a solid 1.18" (29.9mm) spacer, or a 20 gauge metal floating spacer to which separate top is attached. There is also a no spacer option where the top can be finished, or unfinished.

All units can be specified with a Plinth Base with adjustable glides giving 1" (25.4mm) of vertical adjustment, cast aluminum Chamfer Leg allowing 1" (25.4mm) of adjustment, or Side Panel Base with glides allowing 2" (50.8mm) of adjustment. Units are available in 30" (609mm) and 36" (762mm) wide and can be specified, one, two, or three high. Doors come standard with full adjustable hinges.

Personal Storage Towers

Personal Storage Towers are available with a side bookcase, or a wardrobe. Both units are offered with an option of a Box/Box/file or File/File configuration for the lower pedestal section. Six drawer pull options are available. Units are constructed with dowels and adhesive. Box drawer includes one plastic pencil tray, and the second box drawer includes a plastic drawer divider. File drawer includes integrated file hanging system for front to back filing. Drawer construction is available in English dovetailed Baltic Birch, or black miterfold interior. All drawers have full extension slides. Design and construction of units utilize a $\frac{1}{8}$ " (17.4 mm) wood composite board with Veneer or laminate surface. All units with side bookcase come standard with finished backs. Units with wardrobe have separately specified optional backs when required for planning. Lock core is standard in all units and available in black or chrome.

For the Personal Storage Tower with Side Bookcase, an inset solid spacer is used between the lower section and upper bookcase using a $1\frac{3}{8}$ " (30mm) wood composite core with wood or plastic edge banding.

All units can be specified with a Plinth Base with adjustable glides giving 1" (25.4mm) of vertical adjustment, cast aluminum Chamfer Leg allowing 1" (25.4mm) of adjustment, or Side Panel Base with glides allowing 2" (50.8mm) of adjustment.

Units are available in three depths, four heights, and ship complete with one or two adjustable shelves depending on height specified for side bookcase and wardrobe with storage. Wardrobe storage units 18" (457mm) deep ship with stainless steel coat hook and one fixed shelf, 24" (609mm) and 30" (762mm) deep units ship with chrome coat rod and one fixed shelf.

Wardrobes

Wardrobes are offered in multiple heights, in three depths, and two widths. Unit ships complete, minus the assembly of the field installed adjustable glides on bottom on units. All units can be specified with a Plinth Base with adjustable glides giving 1" (25.4mm) of vertical adjustment, cast aluminum Chamfer Leg allowing 1" (25.4mm) of adjustment, or Side Panel Base with glides allowing 2" (50.8mm) of adjustment.

Units are constructed of $\frac{1}{8}$ " (17.4 mm) wood composite board with wood or laminate surface. Units are assembled with a dowel and adhesive manufacturing process for structural integrity and consistency. Optional finished back is $\frac{1}{8}$ " (17.4 mm) board with veneer surface, and are field assembled to the back of the Wardrobes giving a finished appearance when back is in exposed application.

Wardrobe interior fixed shelf matches case veneer, and is included when 73" (1854mm) tall unit is specified.

Wood cases are standard with unfinished inset backs, inset top and utilize a touch latch door. Units are available with or without locks, in Chrome or Black and utilize Haworth's standard lock plug with Master Key option. Wardrobes 18" (457mm) in depth include coat hook, 24" (609mm) and 30" (762mm) deep units include one fixed coat rod.

Stack-On Storage

Stack-On Units are available in multiple heights and come in two widths, 30" (609mm) and 36" (762mm). Units can be specified with and without doors. Doors can be full height or partial height. Doors can be specified as locking or non-locking and come standard with touch latch doors. Units are designed to work with one high and two high Compose Storage Units. They are constructed of $\frac{1}{8}$ " (17.4 mm) wood composite material with veneer or laminate surface, this includes, top, sides, bottom and finished wood or laminate back. Units are attached to lower storage by use of included adhesive strips for easy installation.

One-High Worksurface Support End

One-High Worksurface Support End is a T-shaped support end panel that is used with one-high storage to support a work top at standard height. It is constructed with wood composite material, with a veneer or laminate surface. It attaches to top of lower unit with included adhesive strips for easy installation. It is a non-handed design and comes in multiple depths for many applications.

This page intentionally left blank.

Finish/Color Legend

Wood Finishes

Grade A
Double Cut

2P-RL	Applegate
WL-RL	Beachwood
2R-RL	Butternut
WE-RD	Dune
WJ-RE	Ebony
2N-RL	Echo
LQ-RH	Hazel
	Walnut
WE-RT	Melba
WC-RW	Wenge

Grade B
Anegre Quarter Cut

NP-W15	Espresso
NP-W08	Golden
NP-W07	Light

Cherry

VC-CA1	Amber
VC-W23	American
VC-W33	Caramel
VC-W30	Heritage
VC-W32	Pacific

Cherry Quarter Cut

NX-U	Medium
------	--------

Maple

VP-LM	Light
VP-N	Natural
VP-AD	Sand

Maple Quarter Cut

NM-N	Natural
------	---------

Oak

VJ-W42	Brindle
VJ-W05	Natural

Rift Cut White Oak

NR-W35	Clear
NR-W15	Espresso
NR-W37	Fawn
NR-W40	Mocha
NR-W38	Tuxedo

Walnut

VR-W15	Espresso
VR-W21	Mahogany Satin on Walnut
VR-W31	Retro

Walnut Quarter Cut

NW-W35	Clear
NW-W15	Espresso
NW-W31	Retro
NW-W41	Verdant

Laminate

Grade A
Solid Color

H-34	Beige
H-AK	Chalk
H-8J	Charcoal
H-3J	Graphite
H-62	Gray Tone
H-WL	Linen
H-3P	Platinum
H-AA	Putty
H-3E	Smoke

Patterned

H-P1	Linen Casual
H-P2	Linen Classic
H-P3	Linen Crisp
H-P4	Linen Flax

Wood

H-AM	Amber Cherry
H-AE	Maple
H-AD	Medium Cherry

Grade B
Premium Wood Grain

H-KA	Brazilwood
H-KG	Columbian Walnut
H-KP	Field Elm
H-KN	Grey Elm
H-KM	Landmark Wood
H-KL	Neo Walnut
H-KC	New Age Oak
H-KR	Phantom Ecru
H-KS	Phantom Pearl
H-KD	River Cherry
H-KE	Sanara
H-KF	Williamsburg Cherry

Edgeband

Solid Color

HP-34	Beige
HP-AK	Chalk
HP-8J	Charcoal
HP-3J	Graphite
HP-62	Gray Tone
HP-WL	Linen
HP-3P	Platinum
HP-AA	Putty
HP-3E	Smoke

Patterned Edgeband

HP-P1	Linen Casual
HP-P2	Linen Classic
HP-P3	Linen Crisp
HP-P4	Linen Flax

Wood Grain

HP-KA	Brazilwood
HP-AM	Cherry
HP-KG	Columbian Walnut
HP-KP	Field Elm
HP-KN	Grey Elm
HP-KM	Landmark Wood
HP-AE	Maple
HP-AD	Medium Cherry
HP-KL	Neo Walnut
HP-KC	New Age Oak
HP-KR	Phantom Ecru
HP-KS	Phantom Pearl
HP-KD	River Cherry
HP-KE	Sanara
HP-KF	Williamsburg Cherry

Ply-Edge

HP-PW	Ply-Edge
-------	----------

Trim

Grade A
Smooth

TR-R	Beige
TR-AK	Chalk
TR-K	Charcoal
TR-C1	Cocoa
TR-J	Graphite
TR-G	Gray Tone
TR-AA	Putty
TR-E	Smoke
TR-PLS	Smooth Plaster
TR-FM	Snow

Textured

TR-TY	Cement
TR-TG	GROUT
TR-TF	Pitch
TR-TW	Plaster

Grade B
Smooth

TR-1C	Accent Blue
TR-1D	Accent Green
TR-1E	Accent Orange
TR-1F	Accent Red
TR-1G	Blue Jay
TR-1L	Brindle
TR-1R	Brownstone
TR-CTS	Chartreuse
TR-1N	Night
TR-1Q	Park
TR-RR	Rusty Red
TR-1M	Sable
TR-1P	Seville
TR-1J	Sky Blue
TR-1H	Terra
TR-1K	Wren

Smooth Metallic

TR-DM	Dark Bronze Metallic
TR-MC	Metallic Champagne
TR-LE	Metallic Silver

Textured Metallic

TR-AL	Alloy
TR-AR	Argent
TR-HE	Hellenic

ALERT: These materials are current, however they are being considered for future obsolescence due to low volume.

Wood:

VR-W12	Naturally
WF-RC	Sorrel Double Cut

Laminate:

H-DA	Oats Grain
H-EK	Owl Nest
H-EC	Quail Nest
H-EA	Robin Nest
H-DE	Wheat Grain

Forest Stewardship Council (FSC) Statement:
In our continuing support of sustainable forestry and responsible purchasing, Haworth North America is offering FSC certified wood products at no up-charge. By providing FSC certified material, Haworth is supporting our client's green building goals and demonstrating our collective commitment to source materials more sustainably. Haworth will provide to you the necessary FSC-certified paperwork with your shipment. For more information, FAQs, and a complete FSC product list (including product exceptions), go to the Library and search FSC.

Seating Fabrics/Color Legend

- The following fabrics are available on Seating and cushions.

(d) = Directional fabric (n) = Non-directional fabric

- To obtain fabric samples contact your authorized Haworth dealer.
- Fabric and finish availability as well as technical information are subject to change; refer to Surfaces.Haworth.com for current information.

Fabric Grade: A (d)
BLANKET
50% Post Consumer Recycled Polyester, 50% Virgin Polyester

- 4H-BE Beach
- 4H-BD Bindle
- 4H-CL Cloak
- 4H-FE Feather
- 4H-FW Firewheel
- 4H-FT Fort
- 4H-GR Grass
- 4H-HD Hood
- 4H-MA Mackinaw
- 4H-MT Manta
- 4H-PN Picnic
- 4H-PC Poncho
- 4H-SW Swag
- 4H-SP Sweep
- 4H-TK Tuck
- 4H-YA Yawn

Fabric Grade: A (d)
HORIZON

- 100% Polyester**
- 1N-001 Beeline
 - 1N-004 Birdseye
 - 1N-003 Border
 - 1N-002 Compass
 - 1N-005 Panorama
 - 1N-008 Skyline
 - 1N-006 Sweep
 - 1N-007 Vista

Fabric Grade: A (d)
MORSE

- 100% Polyester**
- 4J-BP Blip
 - 4J-CA Cable
 - 4J-CD Code
 - 4J-DA Dash
 - 4J-DT Dot
 - 4J-MA Marconi
 - 4J-RA Radio
 - 4J-SS S.O.S.
 - 4J-SC Scribe
 - 4J-TA Tap
 - 4J-TE Telegraph
 - 4J-TR Transmit
 - 4J-WL Wireless

Fabric Grade: A (d)
PIXEL
51% Polyester, 32% Post Industrial Recycled Polyester, 17% Post Consumer Recycled Polyester

- 2A-BY Byte
- 2A-DC Dice
- 2A-DT Dot
- 2A-EA Easel
- 2A-FT Flaunt
- 2A-FC Focus
- 2A-FL Folio
- 2A-HM Home
- 2A-IK Ikon
- 2A-IM Imagine
- 2A-ND Node
- 2A-PM Pomp
- 2A-RA Raster
- 2A-SP Spectral
- 2A-TA Tab
- 2A-VE Vertex

Fabric Grade: A (n)
TELLURE

- 100% Polyester**
- 3A-31 Aegean
 - 3A-18 Black
 - 3A-45 Buff
 - 3A-53 Cayenne
 - 3A-40 Chocolate
 - 3A-49 Dove
 - 3A-28 Dynamo
 - 3A-54 Goose
 - 3A-23 Jodhpurs
 - 3A-33 Miami
 - 3A-19 Navy
 - 3A-06 Nickel
 - 3A-34 Ocean
 - 3A-46 Parrot
 - 3A-50 Peel
 - 3A-47 Pumpkin
 - 3A-44 Roan
 - 3A-51 Rust
 - 3A-37 Spring
 - 3A-48 Sprout
 - 3A-52 Sunset
 - 3A-43 Tomato

Fabric Grade: A (d)
TWIST

- 80% Post Consumer Recycled Polyester, 20% from Rayon Bamboo**
- MM-AS And Shout
 - MM-C Coil
 - MM-CS Corkscrew
 - MM-CU Curl
 - MM-D DNA
 - MM-I Ivy
 - MM-P Plot
 - MM-SW Sidewinder
 - MM-S Snail
 - MM-SP Spire
 - MM-WH Whirlpool
 - MM-W Winding

Fabric Grade: A (n)
WELLINGTON FAUX LEATHER
100% Polyurethane

- XJ-AG Apple Green
- XJ-BA Balsa
- XJ-BT Baltic
- XJ-BL Black
- XJ-BR Bordeaux
- XJ-BU Buff
- XJ-CH Chili
- XJ-EL Elephant
- XJ-GR Grape
- XJ-GP Graphite
- XJ-IR Iron
- XJ-JA Java
- XJ-LP Lipstick
- XJ-LC Lucid
- XJ-LG Luggage
- XJ-NM Nimbus
- XJ-PA Pacific
- XJ-QR Quarry
- XJ-SF Safari
- XJ-SA Sage
- XJ-SN Sandy
- XJ-SW Snow
- XJ-SL Steel
- XJ-ST Storm
- XJ-SR Straw
- XJ-TA Tangelo
- XJ-TH Thunder
- XJ-TS Tusk
- XJ-WI Wine

Fabric Grade: B (d)
DIAGONALE

- 16% Nylon, 84% Polyester**
- 4N-AC Across
 - 4N-BA Bias
 - 4N-CH Chevron
 - 4N-CR Crosscut
 - 4N-DA Diamond
 - 4N-FE Featherstitch
 - 4N-HT Half Timber
 - 4N-KC Kitty Corner
 - 4N-MA Matrix
 - 4N-OB Oblique
 - 4N-SE Serge
 - 4N-ST Slant
 - 4N-SH Slash
 - 4N-SL Slope
 - 4N-WC Whipcord
 - 4N-ZZ Zig Zag

Fabric Grade: B (d)
ELEMENT
76% Post Consumer Recycled Polyester 24% Rayon

- 4Z-ER Earth
- 4Z-ES Essence
- 4Z-FR Fire
- 4Z-FS Fossil
- 4Z-HR Herbal
- 4Z-LG Logic
- 4Z-LY Lyrical
- 4Z-PL Pillar
- 4Z-PT Poetic
- 4Z-RR Rare
- 4Z-RT Root
- 4Z-SC Scenic
- 4Z-TH Thread
- 4Z-TM Timeless
- 4Z-TR Truth
- 4Z-WN Wind

Fabric Grade: B
FLOYD BY KVADRAT
50% Polyester, 45% New Wool, 5% Nylon

- S6-A 123
- S6-C 143
- S6-D 263
- S6-E 623
- S6-F 663
- S6-H 723
- S6-J 783
- S6-K 943
- S6-L 1450
- S6-M 1620
- S6-N 1660
- S6-P 1720
- S6-R 1760
- S6-T 1370
- S6-V 1970
- S6-W 1140

Fabric Grade: B (d)
JEWEL

- 77% Post Industrial Recycled Polyester, 23% Post Consumer Recycled Polyester**
- MN-AM Amber
 - MN-A Aquamarine
 - MN-C Citrine
 - MN-E Emerald
 - MN-G Garnet
 - MN-J Jade
 - MN-M Malachite
 - MN-R Ruby
 - MN-S Sapphire
 - MN-TE Tiger's Eye

Fabric Grade: B (d)
LEEF
49% Post Industrial Recycled Polyester 51% Post Consumer Recycled Polyester

- ML-A Aspen
- ML-B Beet
- ML-C Coca
- ML-CN Coconut
- ML-F Fennel
- ML-HE Henna
- ML-H Hosta
- ML-HY Hydrangea
- ML-M Moonflower
- ML-PE Petunia
- ML-P Pumpkin
- ML-S Sunflower
- ML-V Violet

Fabric Grade: B (d)
RAMIE

- 62% Polyester, 25% Post Industrial Recycled Polyester, 13% Post Consumer Recycled Polyester**
- 4V-BS Basket
 - 4V-BT Bast
 - 4V-FX Foxtail
 - 4V-GN Gunnie
 - 4V-HY Hay
 - 4V-MC Macrame
 - 4V-ML Millet
 - 4V-MB Mulberry
 - 4V-RN Rain
 - 4V-RD Reed
 - 4V-RT Root
 - 4V-SC Sack Cloth
 - 4V-SS Sisal
 - 4V-TH Thatch
 - 4V-WT Water
 - 4V-WD Weed

Fabric Grade: B (d)
TECH

- 80% Post Consumer Recycled Polyester, 20% Rayon Bamboo**
- MV-AI A.I.
 - MV-AN Anatomy
 - MV-A Aviation
 - MV-B Bionics
 - MV-C Cosmos
 - MV-D Disc
 - MV-E Electric
 - MV-F Forestry
 - MV-L Logic
 - MV-P Optics
 - MV-RA Radio
 - MV-R Rocket
 - MV-SF Sci-Fi
 - MV-S Skill
 - MV-T Theory
 - MV-Z Zoology

Seating Fabrics/Color Legend

Fabric Grade: C (d)
DOTS

73% Post Consumer Recycled Polyester, 27% Post Industrial Recycled Polyester
6K-CL Clay
6K-VY Ivy
6K-LM Lemon
6K-MN Mandarin
6K-MS Mist
6K-NG Night
6K-SH Shadow
6K-WT Water

Fabric Grade: C (d)
KING

100% Polyester
LH-BE Beige
LH-DB Dark Blue
LH-DG Dark Green
LH-DM Dark Mustard
LH-GD Gold
LH-GL Light Green
LH-LG Light Grey
LH-MB Medium Blue
LH-MG Medium Grey
LH-RD Red
LH-RG Orange
LH-WG Warm Grey

Fabric Grade: C (d)
MAYA

100% Polyester
LM-DB Dark Blue
LM-GR Green
LM-GY Golden Yellow
LM-MG Medium Cool Grey
LM-WG Medium Warm Grey
LM-RG Orange

Fabric Grade: D (d)
CLASS

100% Polyester
LE-DG Dark Grey
LE-GM Green Multi
LE-GR Green
LE-LN Light Cool Neutral
LE-MB Medium Blue
LE-MN Medium Warm Neutral
LE-RR Reddish Orange

Fabric Grade D (n)
COTSWOLD

100% Wool
JB-AN Anquilla
JB-BR Bottlegrass
JB-CA Camp
JB-DN Dandelion
JB-ED Editor Blue
JB-GS Goldfish
JB-HA Heart
JB-KE Kokanee
JB-NE Nettle Bellflower
JB-PL Pickeral Weed
JB-SA Sand
JB-SD Silver Dollar
JB-SU Silverbush
JB-SC Soft Charcoal
JB-TR Tree
JB-WE Wheaton

Fabric Grade: D (d)
MAIN LINE FLAX

70% Virgin Wool, 30% Flax
6M-AL Aldgate
6M-AR Archway
6M-BN Bank
6M-BY Bayswater
6M-BT Bethnal
6M-BR Brompton
6M-CM Camden
6M-GL Goldhawk
6M-LM Lambeth
6M-LY Leyton
6M-MN Monument
6M-ST Stanmore
6M-TM Temple
6M-TW Tower
6M-TF Tufnell
6M-WS Westminster

Fabric Grade: D (d)
MELANGE NAP BY KVADRAT

97% New Wool, 3% Nylon
S7-A 111
S7-C 171
S7-D 191
S7-E 211
S7-F 221
S7-H 241
S7-J 321
S7-K 461
S7-L 521
S7-M 711
S7-N 771
S7-P 791
S7-R 911
S7-T 951
S7-V 1540

Fabric Grade: D (d)
TANGRAM

57% Polyester, 28% Post Industrial Recycled Polyester, 15% Post Consumer Recycled Polyester (43% REPREVE)
LV-CL Clue
LV-EN Enigma
LV-GU Guess
LV-MA Maze
LV-MU Muse
LV-MT Mystery
LV-MY Mystify
LV-UT Outline
LV-PE Perplex
LV-PC Pieces
LV-PU Puzzle
LV-RD Riddle
LV-SC Scrabble
LV-SL Solve
LV-TE Teaser
LV-TR Trick

Fabric Grade: E (d)
BRISA FAUX LEATHER

100% Polyurethane face, 65% Polyester, 35% Rayon Backing
XG-23 Apple Green
XG-22 Ash
XG-3 Aztec
XG-28 Birch
XG-12 Black Onxy
XG-25 Blossom
XG-5 Cambridge Blue
XG-26 Coffee Bean
XG-20 New Sand
XG-18 Night Navy
XG-21 Pompeian Red
XG-1 Salsa
XG-27 Shitake
XG-24 Skyway
XG-17 Sterling Blue
XG-13 White

ALERT: These materials are current, however they are being considered for future obsolescence due to low volume.

Fabric Grade: B (d)
BARQUE

69% Polyester, 31% Recycled Polyester (31% REPREVE)
07-AH Ash
07-AS Aspen
07-BR Birch
07-BW Black Walnut
07-CN Chestnut
07-GO Golden Oak
07-RB Redbud
07-WL Willow

Fabric Grade: B (d)
DOTTIE

89% Post Industrial Recycled Polyester, 11% Post Consumer Recycled Polyester
ME-CA Calico
ME-C Chads
ME-DD Dew Drops
ME-F Flecks
ME-M Morse
ME-P Pip
ME-PD Polka Dots
ME-R Roulette
ME-T Tabby
ME-Y Yahtzee

Fabric Grade: B (d)
GAUGE

100% Recycled Polyester
1X-05 Depth
1X-04 Gas
1X-11 Narrow
1X-08 Pressure
1X-02 Rain
1X-12 Sea
1X-13 Standard
1X-10 Test
1X-03 Time
1X-09 Water
1X-06 Weather
1X-01 Wind
1X-07 Wire

Fabric Grade: B (d)
ZINGER

37% Recycled Polyester, 63% Polyester (13% REPREVE)
NI-2 BBQ
NI-17 Beluga
NI-10 Bluegill
NI-8 Chips
NI-11 Classic
NI-16 Concord
NI-13 Frog
NI-15 Glade
NI-9 Grain
NI-12 Granny
NI-4 Gravel
NI-18 Kiwi
NI-20 Mulberry
NI-3 Onion
NI-6 Pacific
NI-1 Roan
NI-21 Tar
NI-7 Wagon
NI-19 Wicker
NI-5 Wolf

Fabric Grade: C (d)
COCKTAIL

100% Eco-Intelligent Polyester
MBDC Cradle to Cradle Gold
1W-12 Black Cow
1W-08 Blue Moon
1W-13 Boilermaker
1W-01 Bubbly
1W-03 Gibson
1W-04 Grasshopper
1W-07 Lounge
1W-16 Margarita
1W-10 Martini
1W-14 Mojito
1W-11 Old Fashion
1W-06 Pink Squirrel
1W-15 Sidecar
1W-09 Stinger
1W-02 Stout
1W-05 Swizzle

Haworth+

For information on the Haworth+ alliance program, including images and product availability, please refer to: surfaces.haworth.com > Haworth+ Library

Customer's Own Material (COM)

For general Customer's Own Material (COM) information including processes and forms, please refer to: surfaces.haworth.com > Resources > COM
For information on approved COM's, please refer to: surfaces.haworth.com > COM Library

Products are listed alphabetically in this index by alpha-numeric prefix/suffix codes.

Product Code	Product Description	Page
BZAB	Finished Back	40
BZAC-F	Lateral File/Storage Accessories – File/Storage Cushion	20
BZAH	Lateral File/Storage Accessories – Lateral File Hanging Bar	20
BZBG	Lateral File/Storage Accessories – Storage-to-Panel Bracket	20
BZBG	Pedestal Accessories – Storage-to-Panel Bracket	12
BZDL-WNNNSNN	Stack-on Storage	38
BZHU	Worksurface Support End – One-high Worksurface Support End	43
BZKL-WWFTSLN	Stack-on Storage	38
BZKL-WWPTSLN	Stack-on Storage	38
BZL1	Lateral Files	13
BZL2	Lateral Files	13
BZL3	Lateral Files	13
BZLA	Lateral Files	13
BZLB	Combination Unit	18
BZLC	Combination Unit	18
BZLV	Open Shelf Lateral File	16
BZLZ	Open Shelf Lateral File	16
BZMA-CLN	Mobile Pedestals	8
BZMA-GLN	Mobile Pedestals	8
BZMH-CLN	Mobile Pedestals	8
BZMH-GLN	Mobile Pedestals	8
BZMJ-CLN	Mobile Pedestals	8
BZMJ-GLN	Mobile Pedestals	8
BZPA	Pedestals	10
BZPH	Pedestals	10
BZPJ	Pedestals	10
BZPX	Pedestals	10
BZRH-4924-LQL	Personal Storage Tower with Side Bookcase	29
BZRH-4924-LQR	Personal Storage Tower with Side Bookcase	29
BZSC-F	Lateral File/Storage Accessories – File/Storage Cushion	20
BZSC-F	Pedestal Accessories – Pedestal Cushion	12
BZSN-WN1N	Storage Unit without Doors	26
BZSN-WN2N	Storage Unit without Doors	26
BZSN-WN3N	Storage Unit without Doors	26
BZSS-WW1T	Storage Unit with Doors	24
BZSS-WW2T	Storage Unit with Doors	24
BZSS-WW3T	Storage Unit with Doors	24
BZTB-1862	Continuous Storage Tops	22
BZTM-1836	Off-Modular Storage Tops	23
BZTR-1830	Individual/Common Storage Tops	21
BZTR-1860	Individual/Common Storage Tops	21
BZTR-3660	Individual/Common Storage Tops	21
BZVH-NL	Personal Storage Tower with Wardrobe	33
BZVH-NR	Personal Storage Tower with Wardrobe	33
BZWK-LNL	Wardrobes – Wardrobes	36
BZWK-LNL	Wardrobes – Wardrobes	36
BZWK-LNR	Wardrobes – Wardrobes	36
JPTA-6	Pedestal Accessories – Pencil Tray	12
ZUFS	Worksurface Support End	42
ZZFS	Worksurface Support Panel	41

Great Expectations

You have them as a Haworth customer and so do we. And because **we value our customers**, we cover our products with the Haworth North America Product Compatibility and Limited Warranty Policy.

Product Compatibility And Limited Warranty Policy

OUR COMMITMENT TO PRODUCT COMPATIBILITY – INTEGRATED PRODUCT PLATFORMS

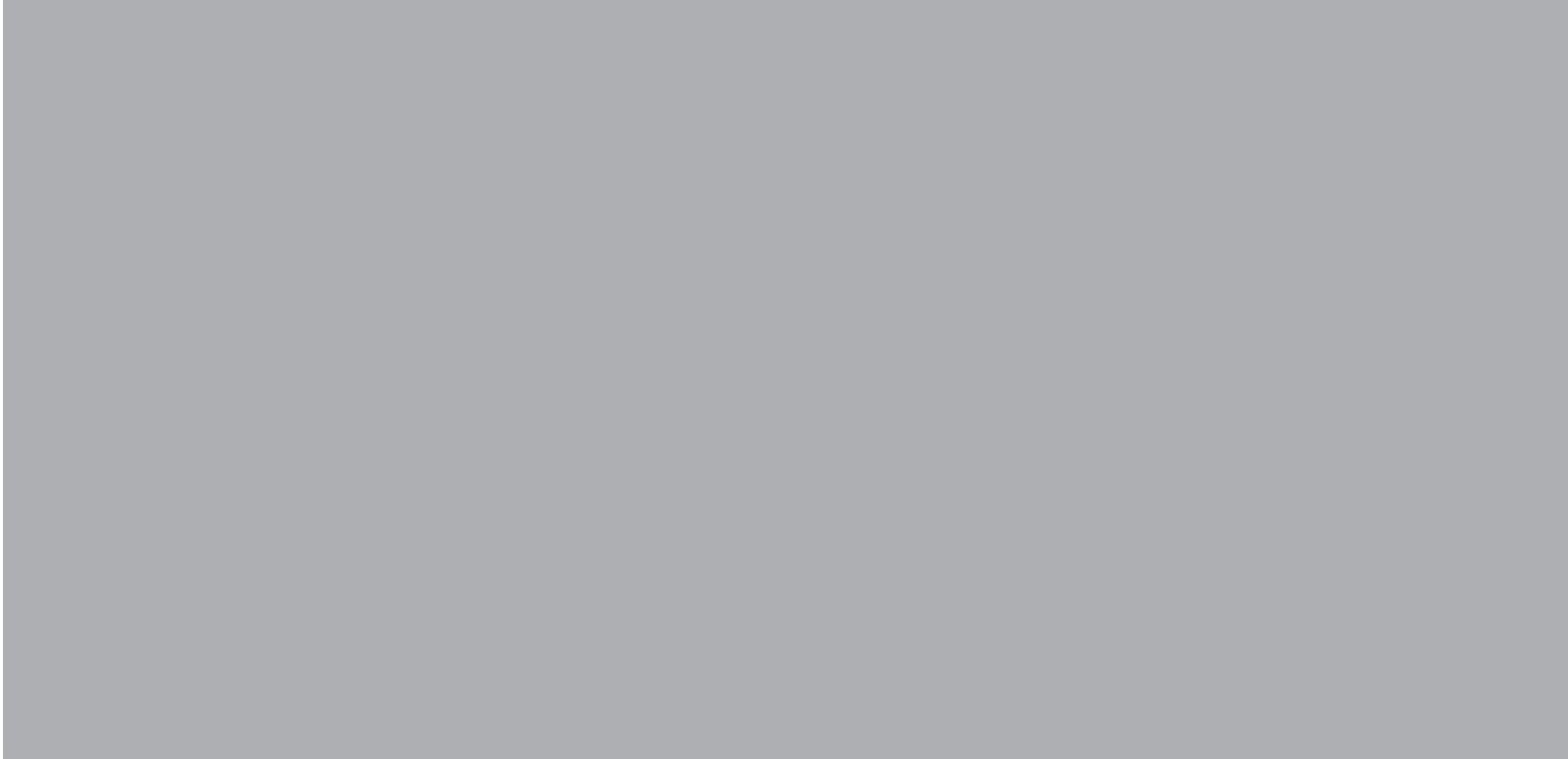
As a market leader in the design and manufacture of workspaces that adapt to change, we strive to maintain product compatibility within our various generations of integrated product platforms. This benefits the customer who desires to update or modify their work environment. It also benefits the customer needing to replace a product due to damage or other reasons but which is no longer manufactured or is otherwise unavailable, such as a fabric or finish that is discontinued because of changing market preferences. In both circumstances, we often can provide products with comparable function and performance.

OUR COMMITMENT TO PRODUCT QUALITY – THE HAWORTH NORTH AMERICA LIMITED WARRANTY

To ensure customer satisfaction and peace of mind, we stand behind our products with the Haworth North America Limited Warranty. To review the current version of the limited warranty including its terms and conditions, please go to: www.haworth.com/resources/product-info/warranties or contact Haworth's First Call Center at **800.426.8562**.

WARRANTY REQUESTS OR QUESTIONS

For questions or service requests pertaining to the Haworth Limited Warranty, please contact your Haworth dealer. If you are unsure who your dealer is, please call Haworth's First Call Center at **800.426.8562**.



HAWORTH®

For more information call 800.344.2600 or 616.393.3000.

Haworth is a registered trademark of Haworth, Inc.
©Haworth, Inc. 20 7.19

haworth.com | haworth-europe.com | haworth-asia.com



Haworth's Integrated Palette includes
Compose®, Enclose®, Patterns™, Planes®,
Reside®, Beside® and Belong™.