

HAWORTH®

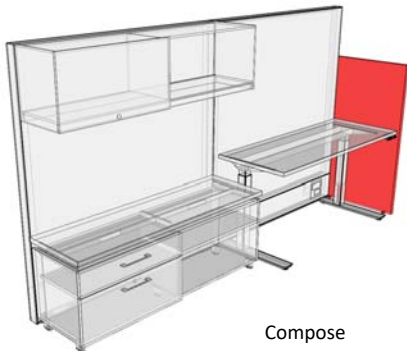
Belong® Gallery End Panels

DRAFT Product Application Section – February 2020

Application Guide – Belong Gallery End Panels

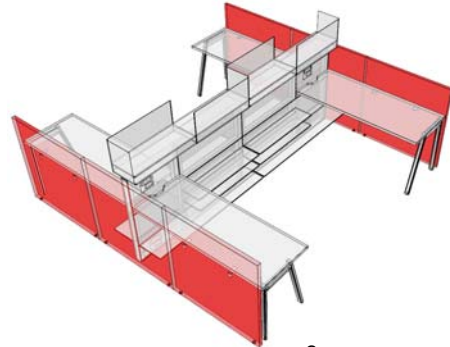
Today's open environments can be visually distracting. Belong Gallery End Panels can help shield workers from adjacent traffic areas and define team boundaries. Simplistic design with a clean aesthetic and practical options accommodate a wide range of environments and users, while providing organizations future assurance that their investment will be effective for years to come. Gallery end panels offer options for Compose, Compose Connections, Intuity, Reside and Planes Height Adjustable Benching. Gallery end panels are available in a variety of finishes to enhance any organization's style, brand, or culture. Finish choices include Laminate, Wood Grain Laminate, Markerboard, and Wood Veneer.

Compose L Mount



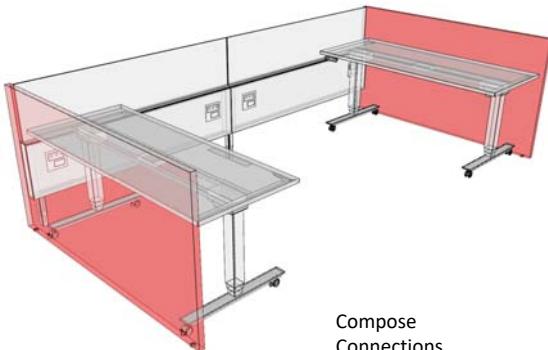
Compose

Compose T Mount



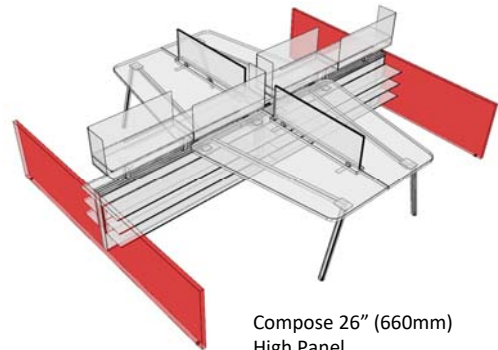
Compose

Compose Connections or Compose 26" (660mm) High Panel L Mount



Compose Connections

Compose Connections or Compose 26" (660mm) High Panel T Mount

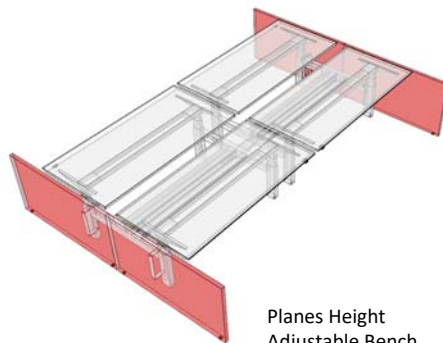


Compose 26" (660mm) High Panel

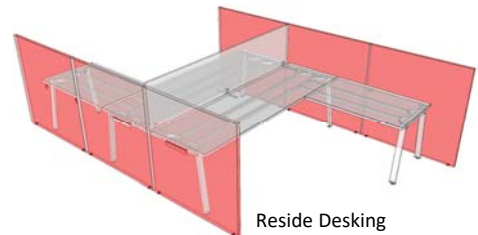
Intuity, Planes Height Adjustable Bench, Reside Desking Universal Mount



Intuity



Planes Height Adjustable Bench

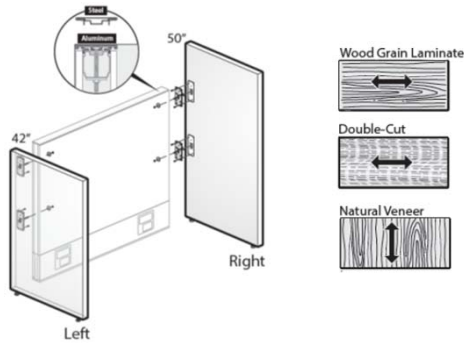


Reside Desking

Application Guide – Belong Gallery End Panels

Gallery End Panel for Compose with Horizontal Laminate Wood Grain (Does not match Compose Tile Laminate Wood Grain Direction)

L Mount



Compose, 1 Piece with L Mount
SU_G-____-ZNN

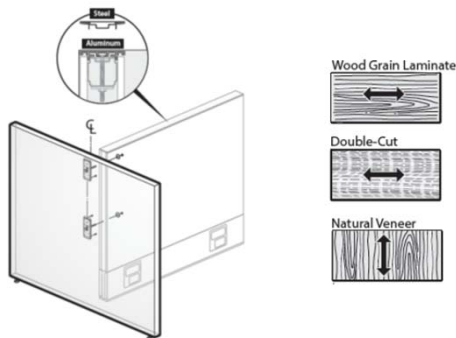
- Available in laminate, markerboard or wood.
- **Wood grain laminate grain direction is horizontal. Does not match Compose Tile Laminate Wood Grain direction. For wood grain laminate vertical grain direction see SU_M.**
- Includes one finished panel.

Specification Tips

- For use with Compose panel frames 42"(1067mm) high to 74"(1880mm) high only.
- Takes the place of End of Run Trim. Attaches to panel frame in an L configuration.
- Gallery End Panel is Group A support.
- End of Run Variable Height Trim must be used if Gallery End Panel is lower than panel height.
- End cap must be used with Frameless Glass if Gallery End Panel is lower than panel height.
- Designed to align with the height of all top trim except work rail.
- Part is handed. Cannot be field modified.

	Laminate		Markerboard		Wood Veneer				
	Height	Height	Height	Height	Height	Height			
Width	24"	Yes	Yes	24"	Yes	Yes	24"	Yes	Yes
	30"	Yes	Yes	30"	Yes	Yes	30"	Yes	Yes
	36"	Yes	Yes	36"	Yes	Yes	36"	Yes	Yes
	42"	Yes	Yes	42"	Yes	Yes	42"	Yes	Yes
	48"	Yes	Yes	48"	Yes	N/A	48"	Yes	Yes
	54"	Yes	Yes	54"	Yes	N/A	54"	Yes	Yes
	60"	Yes	Yes	60"	Yes	N/A	60"	Yes	Yes
	66"	Yes	Yes	66"	Yes	N/A	66"	Yes	Yes
	72"	Yes	Yes	72"	Yes	N/A	72"	Yes	Yes

T Mount



Compose, 1 Piece with T Mount
SUMG-____-ZNN

- Available in laminate, markerboard or wood.
- **Wood grain laminate grain direction is horizontal. Does not match Compose Tile laminate wood grain vertical direction. For wood grain laminate vertical grain direction see SU_M.**
- Includes one finished panel.

Specification Tips

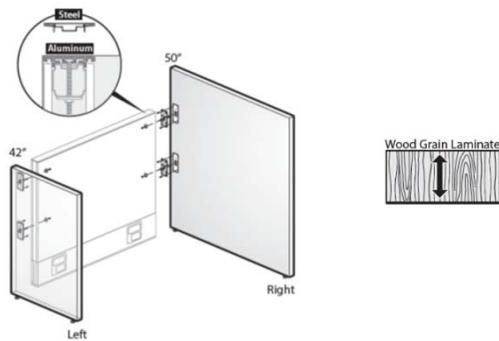
- For use with Compose panel frames 42"(1067mm) high to 74"(1880mm) high.
- Designed to attach to a Compose Panel at the center of a Gallery End Panel. Equal dimension on both sides of panel.
- Takes the place of End of Run Trim. Attaches to panel frame in a T configuration.
- End of Run Variable Height Trim must be used if Gallery End Panel is lower than panel height.
- End cap must be used with Frameless Glass if Gallery End Panel is lower than panel height.
- Designed to align with the height of all top trim except work rail.

	Laminate		Markerboard		Wood Veneer				
	Height	Height	Height	Height	Height	Height			
Width	48"	Yes	Yes	48"	Yes	N/A	48"	Yes	Yes
	54"	Yes	Yes	54"	Yes	N/A	54"	Yes	Yes
	60"	Yes	Yes	60"	Yes	N/A	60"	Yes	Yes
	66"	Yes	Yes	66"	Yes	N/A	66"	Yes	Yes
	72"	Yes	Yes	72"	Yes	N/A	72"	Yes	Yes
	78"	Yes	Yes	78"	Yes	N/A	78"	Yes	Yes
	84"	Yes	Yes	84"	Yes	N/A	84"	Yes	Yes
	90"	Yes	Yes	90"	Yes	N/A	90"	Yes	Yes
	96"	Yes	Yes	96"	Yes	N/A	96"	Yes	Yes
	102"	Yes	Yes	102"	Yes	N/A	102"	Yes	Yes
	108"	Yes	Yes	108"	Yes	N/A	108"	Yes	Yes

Application Guide – Belong Gallery End Panels

Gallery End Panel for Compose with Vertical Laminate Wood Grain (Matches Compose Tile Laminate Wood Grain Direction)

L Mount



Compose, 1 Piece with L Mount

SU_M-____-DZNN

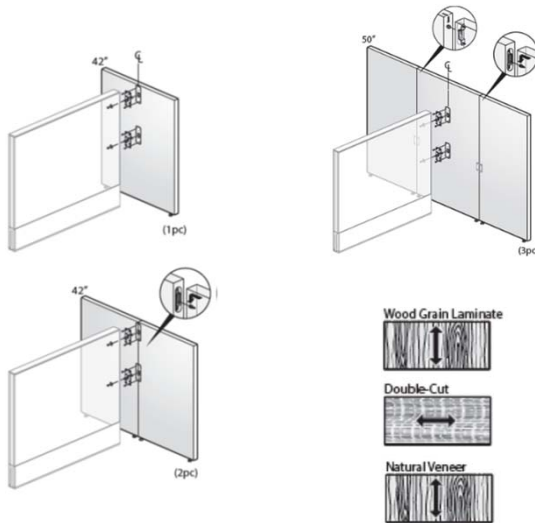
- Available in laminate only.
- **Wood gain laminate grain direction is vertical. Matches Compose Tile laminate wood grain direction. For wood grain laminate horizontal grain direction see SU_G.**
- Includes one finished panel.

Specification Tips

- For use with Compose panel frames 42”(1067mm) high to 74”(1880mm) high only.
- Takes the place of End of Run Trim. Attaches to panel frame in an L configuration.
- End of Run Variable Height Trim must be used if Gallery End Panel is lower than panel height.
- End cap must be used with Frameless Glass if Gallery End Panel is lower than panel height.
- Designed to align with the height of all top trim except work rail.
- Part is handed. Cannot be field modified.

		Laminate	
		Height	
		42"	50"
Width	24"	Yes	Yes
	30"	Yes	Yes
	36"	Yes	Yes
	42"	Yes	Yes
	48"	Yes	Yes
54"	Yes	Yes	

T Mount



Compose, 1, 2 or 3 Piece with T Mount

SUMM-____-ZNN

- Available in laminate, markerboard or wood.
- **Wood gain laminate grain direction is vertical. Matches Compose Tile laminate wood grain direction. For wood grain laminate horizontal grain direction see SUMG.**
- Includes one or more finished panels.

		Laminate		Markerboard		Wood Veneer			
		Height		Height		Height			
		42"	50"	42"	50"	42"	50"		
Width	48"	Yes	Yes	48"	N/A	N/A	48"	N/A	N/A
	54"	Yes	Yes	54"	N/A	N/A	54"	N/A	N/A
	60"	Yes	Yes	60"	Yes	Yes	60"	Yes	Yes
	66"	Yes	Yes	66"	Yes	Yes	66"	Yes	Yes
	72"	Yes	Yes	72"	Yes	Yes	72"	Yes	Yes
	78"	Yes	Yes	78"	Yes	Yes	78"	Yes	Yes
	84"	Yes	Yes	84"	Yes	Yes	84"	Yes	Yes
	90"	Yes	Yes	90"	Yes	Yes	90"	Yes	Yes
	96"	Yes	Yes	96"	Yes	N/A	96"	Yes	Yes
	102"	Yes	Yes	102"	Yes	N/A	102"	Yes	Yes
	108"	Yes	Yes	108"	Yes	N/A	108"	Yes	Yes
	120"	Yes	Yes	120"	Yes	Yes	120"	Yes	Yes
	132"	Yes	Yes	132"	Yes	Yes	132"	Yes	Yes
	144"	Yes	Yes	144"	Yes	N/A	144"	Yes	Yes

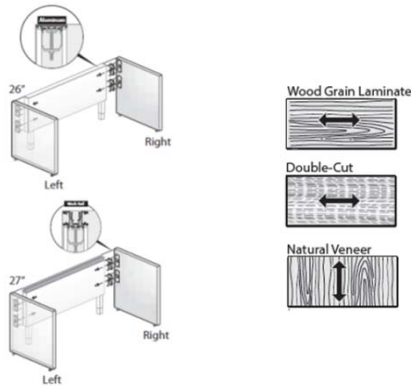
Specification Tips

- For use with Compose panel frames 42”(1067mm) high to 74”(1880mm) high.
- Designed to attach to a Compose Panel at the center of a Gallery End Panel. Equal dimension on both sides of panel.
- Takes the place of End of Run Trim. Attaches to panel frame in a T configuration.
- In a three piece application each panel of the Gallery End Panel must be reinforced with a tie plate on the seam when not attached to a worksurface.
- Two application specific brackets are needed to support a worksurface.
- End of Run Variable Height Trim must be used if Gallery End Panel is lower than panel height.
- End cap must be used with Frameless Glass if Gallery End Panel is lower than panel height.

Application Guide – Belong Gallery End Panels

Gallery End Panel for Compose Connections or Compose 26" (660mm) High Panel with Horizontal Laminate Wood Grain (Does not match Compose Tile Laminate Wood Grain Direction)

L Mount



Compose Connections or Compose 26" (660mm) High Panel, 1 Piece with L Mount Aluminum or Work Rail Top Trim

SU_G-_-_-G_N

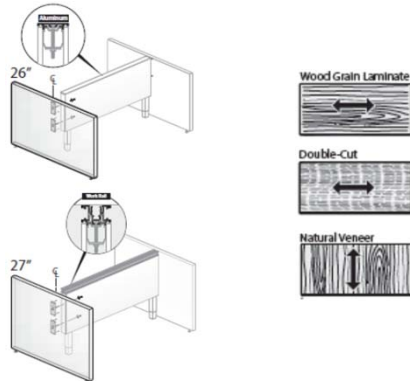
- Available in laminate, markerboard or wood.
- **Wood grain laminate grain direction is horizontal. Does not match Compose Tile Laminate Wood Grain direction. For wood grain laminate vertical grain direction see SU_M.**
- Includes one finished panel.

Specification Tips

- **Not for use with Compose Beam.**
- **For use with Compose Connections or Compose 26" (660mm) high panels only.**
- Not designed to be used with End-of-Run Top Feed Module – Compose Connections only (VZET-2660-__E).
- Takes the place of End of Run Trim. Attaches to panel frame in an L configuration.
- Aligns with aluminum (26" (660mm) high) or work rail top trim (27" (686mm) high). Does not align to steel top trim.
- Gallery End Panels on one end of a panel run require equal support on the opposing end.
- Part is handed. Cannot be field modified.

	Laminate		Markerboard		Wood Veneer				
	Height		Height		Height				
	26"	27"	26"	27"	26"	27"			
Width	24"	Yes	Yes	24"	Yes	Yes	24"	Yes	Yes
	30"	Yes	Yes	30"	Yes	Yes	30"	Yes	Yes
	36"	Yes	Yes	36"	Yes	Yes	36"	Yes	Yes
	42"	Yes	Yes	42"	Yes	Yes	42"	Yes	Yes
	48"	Yes	Yes	48"	Yes	Yes	48"	Yes	Yes
	54"	Yes	Yes	54"	Yes	Yes	54"	Yes	Yes
	60"	Yes	Yes	60"	Yes	Yes	60"	Yes	Yes
	66"	Yes	Yes	66"	Yes	Yes	66"	Yes	Yes
	72"	Yes	Yes	72"	Yes	Yes	72"	Yes	Yes

T Mount



Compose Connections or Compose 26" (660mm) High Panel, 1 Piece with T Mount Aluminum or Work Rail Top Trim

SUMG-_-_-_-G_N

- Available in laminate, markerboard or wood.
- **Wood grain laminate grain direction is horizontal. Does not match Compose Tile laminate wood grain vertical direction. For wood grain laminate vertical grain direction see SU_M.**
- Includes one finished panel.

Specification Tips

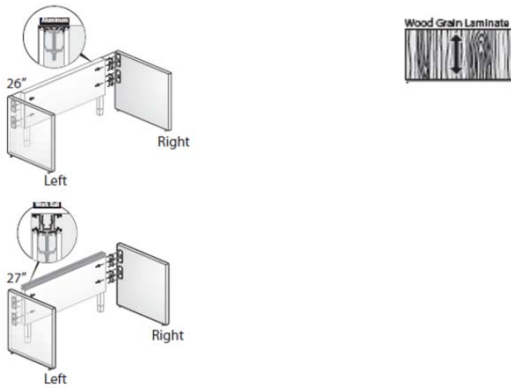
- **Not for use with Compose Beam.**
- **For use with Compose Connections or Compose 26" (660mm) high panels only.**
- Not designed to be used with End-of-Run Top Feed Module – Compose Connections only (VZET-2660-__E).
- Designed to attach to a Compose Connections or Compose 26" (660mm) high panel at the center of a Gallery End Panel. Equal dimension on both sides of panel.
- Takes the place of End of Run Trim. Attaches to panel frame in an T configuration.
- Aligns with aluminum (26" (660mm) high) or work rail top trim (27" (686mm) high). Does not align to steel top trim.
- Gallery End Panels on one end of a panel run require equal support on the opposing end.

	Laminate		Markerboard		Wood Veneer				
	Height		Height		Height				
	26"	27"	26"	27"	26"	27"			
Width	48"	Yes	Yes	48"	Yes	Yes	48"	Yes	Yes
	54"	Yes	Yes	54"	Yes	Yes	54"	Yes	Yes
	60"	Yes	Yes	60"	Yes	Yes	60"	Yes	Yes
	66"	Yes	Yes	66"	Yes	Yes	66"	Yes	Yes
	72"	Yes	Yes	72"	Yes	Yes	72"	Yes	Yes
	78"	Yes	Yes	78"	Yes	Yes	78"	Yes	Yes
	84"	Yes	Yes	84"	Yes	Yes	84"	Yes	Yes
	90"	Yes	Yes	90"	Yes	Yes	90"	Yes	Yes
	96"	Yes	Yes	96"	Yes	Yes	96"	Yes	Yes
	102"	Yes	Yes	102"	Yes	Yes	102"	Yes	Yes
	108"	Yes	Yes	108"	Yes	Yes	108"	Yes	Yes

Application Guide – Belong Gallery End Panels

Gallery End Panel for Compose Connections or Compose 26" (660mm) High Panel with Vertical Laminate Wood Grain (Matches Compose Tile Laminate Wood Grain Direction)

L Mount



Compose Connections or Compose 26" (660mm) High Panel, 1 Piece with L Mount Aluminum or Work Rail Top Trim

SU_M-____-DG_N

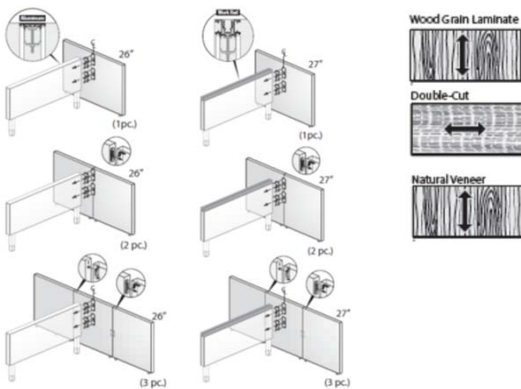
- Available in laminate only.
- **Wood gain laminate grain direction is vertical. Matches Compose Tile laminate wood grain direction. For wood grain laminate horizontal grain direction see SU_G.**
- Includes one finished panel.

		Laminate	
		Height	
		26"	27"
Width	24"	Yes	Yes
	30"	Yes	Yes
	36"	Yes	Yes
	42"	Yes	Yes
	48"	Yes	Yes
	54"	Yes	Yes

Specification Tips

- **Not for use with Compose Beam.**
- **For use with Compose Connections or Compose 26" (660mm) high panels only.**
- Not designed to be used with End-of-Run Top Feed Module – Compose Connections only (VZET-2660-__E).
- Takes the place of End of Run Trim. Attaches to panel frame in an L configuration.
- Aligns with aluminum (26" (660mm) high) or work rail top trim (27" (686mm) high). Does not align to steel top trim.
- Gallery End Panels on one end of a panel run require equal support on the opposing end.
- Part is handed. Cannot be field modified.

T Mount



Compose Connections or Compose 26" (660mm) High Panel, 1, 2 or 3 Piece with T Mount Aluminum or Work Rail Top Trim

SUMM-____-G_N

- Available in laminate, markerboard or wood.
- **Wood gain laminate grain direction is vertical. Matches Compose Tile laminate wood grain direction. For wood grain laminate horizontal grain direction see SUMG.**
- Includes one or more finished panels

		Laminate		Markerboard		Wood Veneer			
		Height		Height		Height			
		26"	27"	26"	27"	26"	27"		
Width	48"	Yes	Yes	48"	N/A	N/A	48"	N/A	N/A
	54"	Yes	Yes	54"	N/A	N/A	54"	N/A	N/A
	60"	Yes	Yes	60"	Yes	Yes	60"	Yes	Yes
	66"	Yes	Yes	66"	Yes	Yes	66"	Yes	Yes
	72"	Yes	Yes	72"	Yes	Yes	72"	Yes	Yes
	78"	Yes	Yes	78"	Yes	Yes	78"	Yes	Yes
	84"	Yes	Yes	84"	Yes	Yes	84"	Yes	Yes
	90"	Yes	Yes	90"	Yes	Yes	90"	Yes	Yes
	96"	Yes	Yes	96"	Yes	N/A	96"	Yes	Yes
	102"	Yes	Yes	102"	Yes	N/A	102"	Yes	Yes
	108"	Yes	Yes	108"	Yes	N/A	108"	Yes	Yes
	120"	Yes	Yes	120"	Yes	Yes	120"	Yes	Yes
	132"	Yes	Yes	132"	Yes	Yes	132"	Yes	Yes
	144"	Yes	Yes	144"	Yes	N/A	144"	Yes	Yes

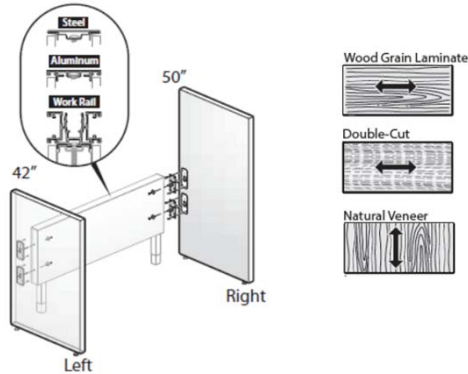
Specification Tips

- **Not for use with Compose Beam.**
- **For use with Compose Connections or Compose 26" (660mm) high panels only.**
- Not designed to be used with End-of-Run Top Feed Module – Compose Connections only (VZET-2660-__E).
- Designed to attach to a Compose Connections or Compose 26" (660mm) high panel at the center of a Gallery End Panel. Equal dimension on both sides of panel.
- Takes the place of End of Run Trim. Attaches to panel frame in an T configuration.
- Aligns with aluminum (26" (660mm) high) or work rail top trim (27" (686mm) high). Does not align to steel top trim.
- In a three piece application each panel of the Gallery End Panel must be reinforced with a tie plate on the seam when not attached to a worksurface. Two application specific brackets are needed to support a worksurface.
- Gallery End Panels on one end of a panel run require equal support on the opposing end.

Application Guide – Belong Gallery End Panels

Gallery End Panel for Compose Connections or Compose 26" (660mm) High Panel with Horizontal Laminate Wood Grain (Does not match Compose Tile Laminate Wood Grain Direction)

L Mount



Compose Connections or Compose 26" (660mm) High Panel, 1 Piece with L Mount

SU_G-____-GNN

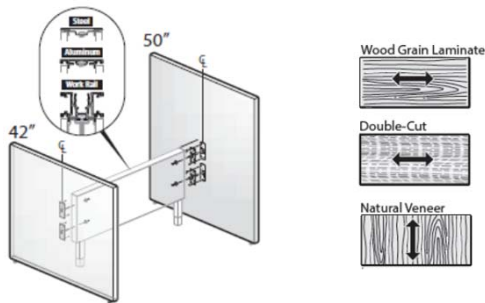
- Available in laminate, markerboard or wood.
- **Wood grain laminate grain direction is horizontal. Does not match Compose Tile Laminate Wood Grain direction. For wood grain laminate vertical grain direction see SU_M.**
- Includes one finished panel

Specification Tips

- **Not for use with Compose Beam.**
- **For use with Compose Connections or Compose 26" (660mm) high panels only.**
- Not designed to be used with End-of-Run Top Feed Module – Compose Connections only (VZET-2660-__E).
- Takes the place of End of Run Trim. Attaches to panel frame in an L configuration.
- Works with all top trim.
- Gallery End Panels on one end of a panel run require equal support on the opposing end.
- Part is handed. Cannot be field modified.

	Laminate		Markerboard		Wood Veneer				
	Height		Height		Height				
	42"	50"	42"	50"	42"	50"			
Width	24"	Yes	Yes	24"	Yes	Yes	24"	Yes	Yes
	30"	Yes	Yes	30"	Yes	Yes	30"	Yes	Yes
	36"	Yes	Yes	36"	Yes	Yes	36"	Yes	Yes
	42"	Yes	Yes	42"	Yes	Yes	42"	Yes	Yes
	48"	Yes	Yes	48"	Yes	N/A	48"	Yes	Yes
	54"	Yes	Yes	54"	Yes	N/A	54"	Yes	Yes
	60"	Yes	Yes	60"	Yes	N/A	60"	Yes	Yes
	66"	Yes	Yes	66"	Yes	N/A	66"	Yes	Yes
	72"	Yes	Yes	72"	Yes	N/A	72"	Yes	Yes

T Mount



Compose Connections or Compose 26" (660mm) High Panel, 1 Piece with T Mount

SUMG-____-GNN

- Available in laminate, markerboard or wood.
- **Wood grain laminate grain direction is horizontal. Does not match Compose Tile laminate wood grain vertical direction. For wood grain laminate vertical grain direction see SU_M.**
- Includes one finished panel

Specification Tips

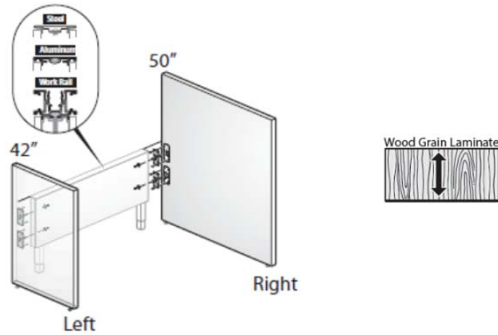
- **Not for use with Compose Beam.**
- **For use with Compose Connections or Compose 26" (660mm) high panels only.**
- Not designed to be used with End-of-Run Top Feed Module – Compose Connections only (VZET-2660-__E).
- Designed to attach to a Compose Connections or Compose 26" (660mm) high panel at the center of a Gallery End Panel. Equal dimension on both sides of panel.
- Takes the place of End of Run Trim. Attaches to panel frame in an T configuration.
- Works with all top trim.
- Gallery End Panels on one end of a panel run require equal support on the opposing end.

	Laminate		Markerboard		Wood Veneer				
	Height		Height		Height				
	42"	50"	42"	50"	42"	50"			
Width	48"	Yes	Yes	48"	Yes	N/A	48"	Yes	Yes
	54"	Yes	Yes	54"	Yes	N/A	54"	Yes	Yes
	60"	Yes	Yes	60"	Yes	N/A	60"	Yes	Yes
	66"	Yes	Yes	66"	Yes	N/A	66"	Yes	Yes
	72"	Yes	Yes	72"	Yes	N/A	72"	Yes	Yes
	78"	Yes	Yes	78"	Yes	N/A	78"	Yes	Yes
	84"	Yes	Yes	84"	Yes	N/A	84"	Yes	Yes
	90"	Yes	Yes	90"	Yes	N/A	90"	Yes	Yes
	96"	Yes	Yes	96"	Yes	N/A	96"	Yes	Yes
	102"	Yes	Yes	102"	Yes	N/A	102"	Yes	Yes
	108"	Yes	Yes	108"	Yes	N/A	108"	Yes	Yes

Application Guide – Belong Gallery End Panels

Gallery End Panel for Compose Connections or Compose 26" (660mm) High Panel with Horizontal Laminate Wood Grain (Matches Compose Tile Laminate Wood Grain Direction)

L Mount



Compose Connections or Compose 26" (660mm) High Panel, 1 Piece with L Mount

SU_M-___-DGNN

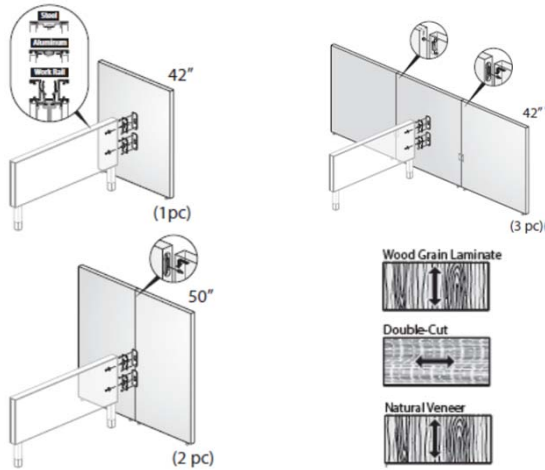
- Available in laminate only.
- **Wood grain laminate grain direction is vertical. Matches Compose Tile laminate wood grain direction. For wood grain laminate horizontal grain direction see SU_G.**
- Includes one finished panel.

		Laminate	
		Height	
		26"	27"
Width	24"	Yes	Yes
	30"	Yes	Yes
	36"	Yes	Yes
	42"	Yes	Yes
	48"	Yes	Yes
54"	Yes	Yes	

Specification Tips

- **Not for use with Compose Beam.**
- **For use with Compose Connections or Compose 26" (660mm) high panels only.**
- Not designed to be used with End-of-Run Top Feed Module – Compose Connections only (VZET-2660-__E).
- Takes the place of End of Run Trim. Attaches to panel frame in an L configuration.
- Works with all top trim.
- Gallery End Panels on one end of a panel run require equal support on the opposing end.
- Part is handed. Cannot be field modified.

T Mount



Compose Connections or Compose 26" (660mm) High Panel, 1, 2 or 3 Piece with T Mount

SUMM-___-GNN

- Available in laminate, markerboard or wood.
- Wood grain laminate grain direction is vertical. **Matches Compose Tile laminate wood grain direction.** For wood grain laminate horizontal grain direction see SUMG.
- Includes one or more finished panels

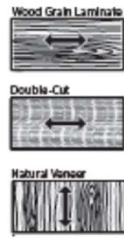
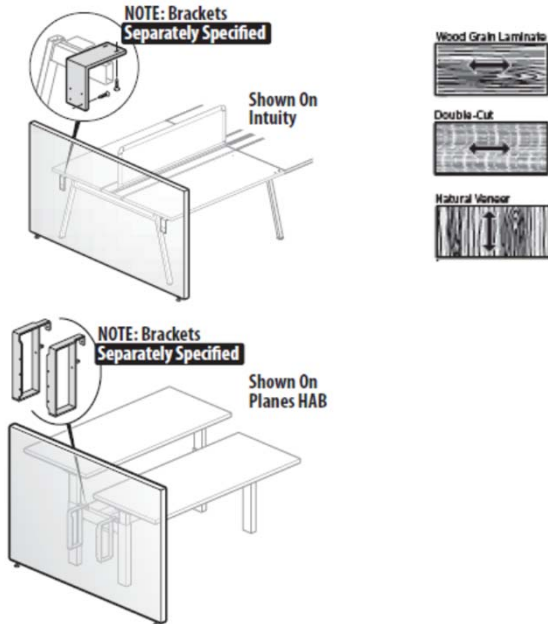
		Laminate		Markerboard		Wood Veneer			
		Height		Height		Height			
		26"	27"	26"	27"	26"	27"		
Width	48"	Yes	Yes	48"	N/A	N/A	48"	N/A	N/A
	54"	Yes	Yes	54"	N/A	N/A	54"	N/A	N/A
	60"	Yes	Yes	60"	Yes	Yes	60"	Yes	Yes
	66"	Yes	Yes	66"	Yes	Yes	66"	Yes	Yes
	72"	Yes	Yes	72"	Yes	Yes	72"	Yes	Yes
	78"	Yes	Yes	78"	Yes	Yes	78"	Yes	Yes
	84"	Yes	Yes	84"	Yes	Yes	84"	Yes	Yes
	90"	Yes	Yes	90"	Yes	Yes	90"	Yes	Yes
	96"	Yes	Yes	96"	Yes	N/A	96"	Yes	Yes
	102"	Yes	Yes	102"	Yes	N/A	102"	Yes	Yes
	108"	Yes	Yes	108"	Yes	N/A	108"	Yes	Yes
	120"	Yes	Yes	120"	Yes	Yes	120"	Yes	Yes
	132"	Yes	Yes	132"	Yes	Yes	132"	Yes	Yes
144"	Yes	Yes	144"	Yes	N/A	144"	Yes	Yes	

Specification Tips

- **Not for use with Compose Beam.**
- **For use with Compose Connections or Compose 26" (660mm) high panels only.**
- Not designed to be used with End-of-Run Top Feed Module – Compose Connections only (VZET-2660-__E).
- Designed to attach to a Compose Connections or Compose 26" (660mm) high panel at the center of a Gallery End Panel. Equal dimension on both sides of panel.
- Takes the place of End of Run Trim. Attaches to panel frame in an T configuration.
- In a three piece application each panel of the Gallery End Panel must be reinforced with a tie plate on the seam when not attached to a worksurface. Two application specific brackets are needed to support a worksurface.
- Gallery End Panels on one end of a panel run require equal support on the opposing end.

Application Guide – Belong Gallery End Panels

Gallery End Panel for Intuity, Reside Desking, Planes Height Adjustable Bench with Horizontal Laminate Wood Grain (Does not match Compose Tile Laminate Wood Grain Direction)



Intuity, Reside Desking, Planes Height Adjustable Bench, 1 Piece with Universal Mount
 SUSG-____-UNN

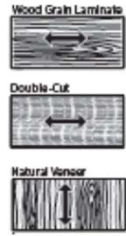
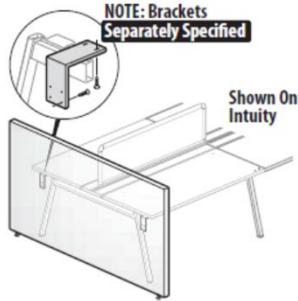
- Available in laminate, markerboard or wood.
- **Wood grain laminate grain direction is horizontal. For wood grain laminate vertical grain direction see SUSM.**
- Includes one finished panel.

Specification Tips

- **Gallery End Panel Universal Mount must be supported by a separately specified application specific bracket and attached to a worksurface or frame. Gallery End Panels Universal Mount are not load supporting.**
- **Adaptable Worksurfaces and ZUBW-0000-CN or ZUBW-0000-PN Bracket:**
 - Must use worksurface support legs and brackets to support Adaptable worksurface.
 - May be used on width or depth of worksurface.
 - Use two brackets per Gallery End Panel Universal Mount section.
 - Use Gallery End Panel Compose or Compose Connections L-mount or T-mount when worksurface is attached to panel frame at the end of run.
- **Planes Double-Sided Height Adjustable Bench and 120° Height Adjustable Bench with Gallery End Panel Bracket (TA01-BRKT-E):**
 - Gallery End Panel Universal Mount is not for use with Planes Single Sided Bench or Hop Bench.
 - Gallery End Panel Universal Mount are approved to size larger than the Planes Double Sided Height Adjustable Bench or 120° Height Adjustable Bench depth up to 18" each side.
 - Do not use Gallery End Panel Universal Mount when using a Height Adjustable Bench Top Feed, End of Run (EAET-__00-__).
 - Clearance between Gallery End Panel Universal Mount and Height Adjustable Bench worksurface allows 1" pinch point.
- **Intuity Single or Double-Sided and 120° Double-Sided Three Pack Bench with Intuity Attachment Bracket ZBBG-0000-PN:**
 - Gallery End Panel Universal Mount are approved to size larger than the Intuity worksurfaces up to 18" each side.
 - Applications with or without utility hatch, angled or straight legs are compatible.
 - Not for use on back edge of Single Sided Intuity Bench.
 - Do not use Gallery End Panel Universal Mount when using an Intuity Bench - Top Feed at the end of run (EKET-__00-__).
 - Use Intuity Attachment Brackets (ZBBG-0000-PN) when attaching Gallery End Panel Universal Mount at the end of a Double-Sided Intuity Bench. Use two brackets per Gallery End Panel Universal Mount section.
- **Intuity Rectangular Return Worksurfaces with ZUBW-0000-P_ Bracket:**
 - Must use worksurface support legs and brackets to support return worksurface.
 - Use Wall Attachment Bracket (ZUBW-0000-_N) when attaching Gallery End Panel Universal Mount to an Intuity Rectangular Return Worksurface. Use two brackets per Gallery End Panel Universal Mount per section.
- **Reside Desking and returns with legs with ZKBW-0000-PN Bracket:**
 - Gallery End Panel Universal Mount are approved to size larger than the Reside worksurfaces and returns up to 18" each side.
 - Must use desking worksurface legs and brackets to support worksurfaces.
 - Use Reside with legs attachment bracket (ZKBG-0000-PN) to attach Gallery End Panel Universal Mount to the depth of the desking worksurface. Use two brackets per Gallery End Panel Universal Mount per section.
 - Use Wall Attachment Bracket (ZUBW-0000-_N) when attaching Gallery End Panel Universal Mount to the width of the desking worksurface. Use two brackets per Gallery End Panel Universal Mount per section.
 - Do not use Gallery End Panel Universal Mount when using an Reside Desking – Top Feed along the depth or width of single sided desking worksurface (EKET-__00-__).

Application Guide – Belong Gallery End Panels

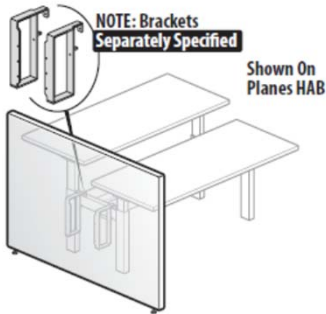
Gallery End Panel for Intuity, Reside Desking, Planes Height Adjustable Bench with Horizontal Laminate Wood Grain (Does not match Composite Tile Laminate Wood Grain Direction)



Intuity, Reside Desking, Planes Height Adjustable Bench, 1 Piece with Universal Mount

SUSG-____-UNN

- Available in laminate, markerboard or wood.
- **Wood grain laminate grain direction is horizontal. For wood grain laminate vertical grain direction see SUSM.**
- Includes one finished panel.

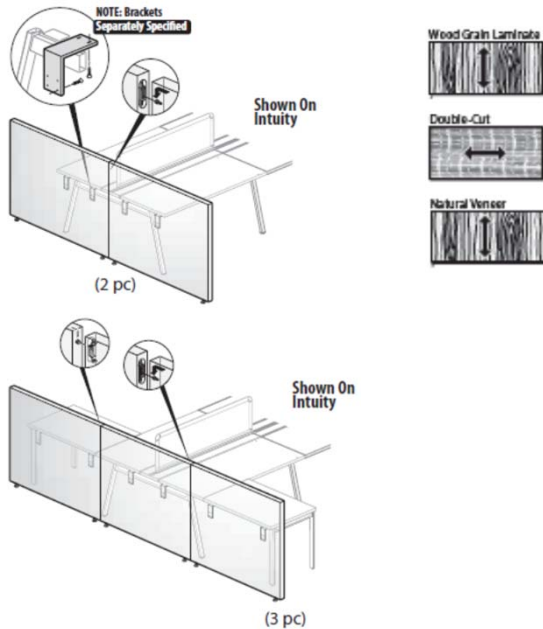


	Laminate			Markerboard			Wood Veneer				
	Width	Height			Height			Height			
		29"	42"	50"	29"	42"	50"	29"	42"	50"	
24"	Yes	Yes	Yes	24"	Yes	Yes	Yes	24"	Yes	Yes	Yes
30"	Yes	Yes	Yes	30"	Yes	Yes	Yes	30"	Yes	Yes	Yes
36"	Yes	Yes	Yes	36"	Yes	Yes	Yes	36"	Yes	Yes	Yes
42"	Yes	Yes	Yes	42"	Yes	Yes	N/A	42"	Yes	Yes	Yes
48"	Yes	Yes	Yes	48"	Yes	Yes	N/A	48"	Yes	Yes	Yes
54"	Yes	Yes	Yes	54"	Yes	Yes	N/A	54"	Yes	Yes	Yes
60"	Yes	Yes	Yes	60"	Yes	Yes	N/A	60"	Yes	Yes	Yes
66"	Yes	Yes	Yes	66"	Yes	Yes	N/A	66"	Yes	Yes	Yes
72"	Yes	Yes	Yes	72"	Yes	Yes	N/A	72"	Yes	Yes	Yes
78"	Yes	Yes	Yes	78"	Yes	Yes	N/A	78"	Yes	Yes	Yes
84"	Yes	Yes	Yes	84"	Yes	Yes	N/A	84"	Yes	Yes	Yes
90"	Yes	Yes	Yes	90"	Yes	Yes	N/A	90"	Yes	Yes	Yes
96"	Yes	Yes	Yes	96"	Yes	Yes	N/A	96"	Yes	Yes	Yes
102"	Yes	Yes	Yes	102"	Yes	Yes	N/A	102"	Yes	Yes	Yes
108"	Yes	Yes	Yes	108"	Yes	Yes	N/A	108"	Yes	Yes	Yes

SUSG-____-UNN		Gallery Panel Application
		Maximum size allowed per application
Single Sided Bench and Adaptable Worksurface Applications		
24"(610mm) D	Intuity	60"(1524mm) max. Do not exceed 18"(457mm) unsupported with a worksurface.
	Reside	
30"(762mm) D	Intuity	66"(1676mm) max. Do not exceed 18"(457mm) unsupported with a worksurface.
	Reside	
36"(914mm) D	Reside	72"(1829mm) max. Do not exceed 18"(457mm) unsupported with a worksurface.
Double Sided Bench Applications		
24"(610mm) D	Planes	84"(2134mm) max. Do not exceed 18"(457mm) unsupported with a worksurface.
	Intuity	
	Reside	
30"(762mm) D	Planes	96"(2438mm) max. Do not exceed 18"(457mm) unsupported with a worksurface.
	Intuity	
	Reside	
36"(914mm) D	Planes	108"(2743mm) max. Do not exceed 18"(457mm) unsupported with a worksurface.
	Reside	
Intuity and Reside (single and double sided Bench Applications with Return Worksurface(s))		Do not exceed 18"(457mm) unsupported with a worksurface.

Application Guide – Belong Gallery End Panels

Gallery End Panel for Intuity, Reside Desking, Planes Height Adjustable Bench with Vertical Laminate Wood Grain (Matches Compose Tile Laminate Wood Grain Direction)



Intuity, Reside Desking, Planes Height Adjustable Bench, 1, 2 or 3 Piece with Universal Mount
 SUSM-_____-UNN

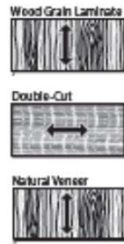
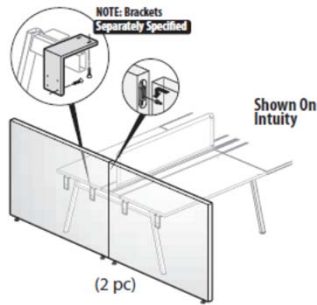
- Available in laminate, markerboard or wood.
- **Wood grain laminate grain direction is vertical. For wood grain laminate horizontal grain direction see SUSG.**
- Includes one finished panel

Specification Tips

- **Gallery End Panel Universal Mount must be supported by a separately specified application specific bracket and attached to a worksurface or frame. Gallery End Panels Universal Mount are not load supporting.**
- **Adaptable Worksurfaces and ZUBW-0000-CN or ZUBW-0000-PN Bracket:**
 - Must use worksurface support legs and brackets to support Adaptable worksurface.
 - May be used on width or depth of worksurface.
 - Use two brackets per Gallery End Panel Universal Mount section.
 - Use Gallery End Panel Compose or Compose Connections L-mount or T-mount when worksurface is attached to panel frame at the end of run.
- **Planes Double-Sided Height Adjustable Bench and 120° Height Adjustable Bench with Gallery End Panel Bracket (TA01-BRKT-E):**
 - Gallery End Panel Universal Mount is not for use with Planes Single Sided Bench or Hop Bench.
 - Gallery End Panel Universal Mount are approved to size larger than the Planes Double Sided Height Adjustable Bench or 120° Height Adjustable Bench depth up to 18" each side.
 - Do not use Gallery End Panel Universal Mount when using a Height Adjustable Bench Top Feed, End of Run (EAET-__00-__).
 - Clearance between Gallery End Panel Universal Mount and Height Adjustable Bench worksurface allows 1" pinch point.
- **Intuity Single or Double-Sided and 120° Double-Sided Three Pack Bench with Intuity Attachment Bracket ZBBG-0000-PN:**
 - Gallery End Panel Universal Mount are approved to size larger than the Intuity worksurfaces up to 18" each side.
 - Applications with or without utility hatch, angled or straight legs are compatible.
 - Not for use on back edge of Single Sided Intuity Bench.
 - Do not use Gallery End Panel Universal Mount when using an Intuity Bench - Top Feed at the end of run (EKET-__00-__).
 - Use Intuity Attachment Brackets (ZBBG-0000-PN) when attaching Gallery End Panel Universal Mount at the end of a Double-Sided Intuity Bench. Use two brackets per Gallery End Panel Universal Mount section.
- **Intuity Rectangular Return Worksurfaces with ZUBW-0000-P_ Bracket:**
 - Must use worksurface support legs and brackets to support return worksurface.
 - Use Wall Attachment Bracket (ZUBW-0000-_N) when attaching Gallery End Panel Universal Mount to an Intuity Rectangular Return Worksurface. Use two brackets per Gallery End Panel Universal Mount per section.
- **Reside Desking and returns with legs with ZKBW-0000-PN Bracket:**
 - Gallery End Panel Universal Mount are approved to size larger than the Reside worksurfaces and returns up to 18" each side.
 - Must use desking worksurface legs and brackets to support worksurfaces.
 - Use Reside with legs attachment bracket (ZKBG-0000-PN) to attach Gallery End Panel Universal Mount to the depth of the desking worksurface. Use two brackets per Gallery End Panel Universal Mount per section.
 - Use Wall Attachment Bracket (ZUBW-0000-_N) when attaching Gallery End Panel Universal Mount to the width of the desking worksurface. Use two brackets per Gallery End Panel Universal Mount per section.
 - Do not use Gallery End Panel Universal Mount when using an Reside Desking – Top Feed along the depth or width of single sided desking worksurface (EKET-__00-__).

Application Guide – Belong Gallery End Panels

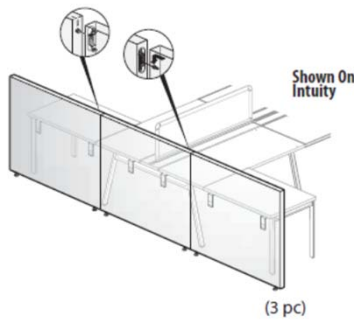
Gallery End Panel for Intuity, Reside Desking, Planes Height Adjustable Bench with Vertical Laminate Wood Grain (Matches Composite Tile Laminate Wood Grain Direction)



Intuity, Reside Desking, Planes Height Adjustable Bench, 1, 2 or 3 Piece with Universal Mount

SUSM-____-UNN

- Available in laminate, markerboard or wood.
- **Wood grain laminate grain direction is vertical. For wood grain laminate horizontal grain direction see SUSG.**
- Includes one finished panel



	Laminate			Markerboard			Wood Veneer					
		Height			Height			Height				
		29"	42"	50"	29"	42"	50"	29"	42"	50"		
Width	24"	Yes	Yes	Yes	24"	N/A	N/A	N/A	24"	N/A	N/A	N/A
	30"	Yes	Yes	Yes	30"	N/A	N/A	N/A	30"	N/A	N/A	N/A
	36"	Yes	Yes	Yes	36"	N/A	N/A	N/A	36"	N/A	N/A	N/A
	42"	Yes	Yes	Yes	42"	N/A	N/A	N/A	42"	N/A	N/A	N/A
	48"	Yes	Yes	Yes	48"	N/A	N/A	N/A	48"	N/A	N/A	N/A
	54"	Yes	Yes	Yes	54"	N/A	N/A	N/A	54"	N/A	N/A	N/A
	60"	Yes	Yes	Yes	60"	Yes	Yes	Yes	60"	Yes	Yes	Yes
	66"	Yes	Yes	Yes	66"	Yes	Yes	Yes	66"	Yes	Yes	Yes
	72"	Yes	Yes	Yes	72"	Yes	Yes	Yes	72"	Yes	Yes	Yes
	78"	Yes	Yes	Yes	78"	Yes	Yes	Yes	78"	Yes	Yes	Yes
	84"	Yes	Yes	Yes	84"	Yes	Yes	Yes	84"	Yes	Yes	Yes
	90"	Yes	Yes	Yes	90"	Yes	Yes	Yes	90"	Yes	Yes	Yes
	96"	Yes	Yes	Yes	96"	Yes	Yes	N/A	96"	Yes	Yes	Yes
	102"	Yes	Yes	Yes	102"	Yes	Yes	N/A	102"	Yes	Yes	Yes
108"	Yes	Yes	Yes	108"	Yes	Yes	N/A	108"	Yes	Yes	Yes	
120"	Yes	Yes	Yes	120"	Yes	Yes	Yes	120"	Yes	Yes	Yes	
132"	Yes	Yes	Yes	132"	Yes	Yes	Yes	132"	Yes	Yes	Yes	
144"	Yes	Yes	Yes	144"	Yes	Yes	N/A	144"	Yes	Yes	Yes	

SUSM-____-UNN		Gallery Panel Application		
		1-Piece	2-Piece	3-Piece
Single Sided Bench and Adaptable Worksurface Applications				
24"(610mm) D	Intuity	Works with all sizes. Do not exceed 18"(457mm) unsupported with a worksurface.	60"(1524mm) max. Do not exceed 18"(457mm) unsupported with a worksurface.	Do not use.
	Reside			
30"(762mm) D	Intuity	Works with all sizes. Do not exceed 18"(457mm) unsupported with a worksurface.	66"(1676mm) max. Do not exceed 18"(457mm) unsupported with a worksurface.	Do not use.
	Reside			
36"(914mm) D	Reside	Works with all sizes. Do not exceed 18"(457mm) unsupported with a worksurface.	72"(1829mm) max. Do not exceed 18"(457mm) unsupported with a worksurface.	Do not use.
Double Sided Bench Applications				
24"(610mm) D	Planes	Works with all sizes. Do not exceed 18"(457mm) unsupported with a worksurface.	84"(2134mm) max. Do not exceed 18"(457mm) unsupported with a worksurface.	Do not use.
	Intuity			
	Reside			
30"(762mm) D	Planes	Works with all sizes. Do not exceed 18"(457mm) unsupported with a worksurface.	96"(2438mm) max. Do not exceed 18"(457mm) unsupported with a worksurface.	Do not use.
	Intuity			
	Reside			
36"(914mm) D	Planes	Works with all sizes. Do not exceed 18"(457mm) unsupported with a worksurface.	108"(2743mm) max. Do not exceed 18"(457mm) unsupported with a worksurface.	Do not use.
	Reside			
Intuity and Reside (single and double sided Bench Applications with Return Worksurface(s))		Do not exceed 18"(457mm) unsupported with a worksurface.	Do not exceed 18"(457mm) unsupported with a worksurface.	Do not exceed 18"(457mm) unsupported with a worksurface.

HAWORTH®

HAWORTH® is a registered trademark of Haworth, Inc.
© Haworth, Inc. All rights reserved. 2020 2.20 | Item #1029
haworth.com | 800 344 2600