

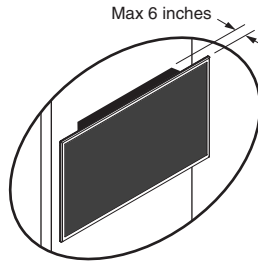
⚠ CAUTION

FAILURE TO FOLLOW THESE INSTRUCTIONS COULD RESULT IN PROPERTY DAMAGE OR PERSONAL INJURY.

Read the entire Assembly Direction before beginning installation or assembly. Building construction varies greatly and is outside Steelcase's control. The Building's Engineer of Record is responsible for the design of studs, backing, reinforcement, supporting members etc. which the units are attached to and must verify the adequacy of the mounting hardware. These instructions and any hardware provided by Steelcase are for convenience only and are not an indication of what may be required by your local Code.

The building owner or designated agent is responsible for verifying that the installation is in compliance with all local Codes and regulations.

⚠ WARNING



CRUSH HAZARD

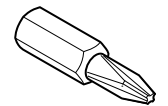
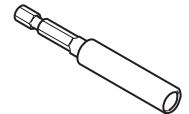
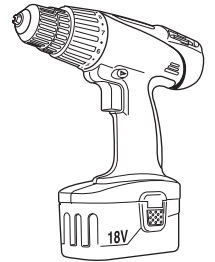
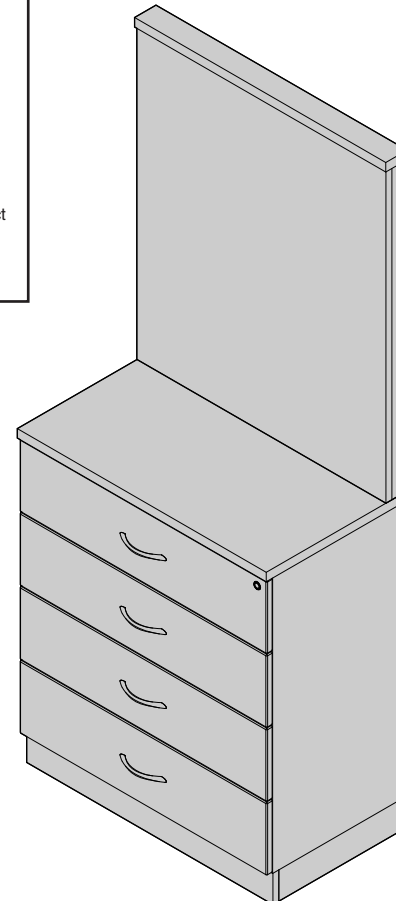
- DO NOT:**
1. Mount objects which extend more than 6 inches from vertical cabinet surface.
 2. Exceed maximum monitor weight of 50 lbs (22.7 kg).

- YOU MUST:**
1. Anchor back side of cabinet to fixed-in-place wall at least as tall as the mounted object.

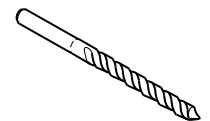
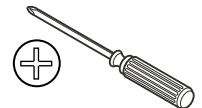
FAILURE TO FOLLOW THESE DIRECTIONS COULD RESULT IN SERIOUS INJURY DUE TO TIP-OVER.



Read the entire Assembly Directions for your product mounting configuration before beginning installation. Obtain Assembly Directions from Steelcase dealer or call 1-888-783-3522.



PHILLIPS DRIVE



1/8" DIAMETER DRILL BIT

If you have a problem, question, or request, call your local dealer, or Steelcase Line 1 at **888.STEELCASE** (888.783.3522) for immediate action by people who want to help you. (Outside the U.S.A., Canada, Mexico, Puerto Rico, and the U.S. Virgin Islands, call: 1.616.247.2500) Or visit our website: www.steelcase.com

© 2014 Steelcase Inc.
Grand Rapids, MI 49501
U.S.A.

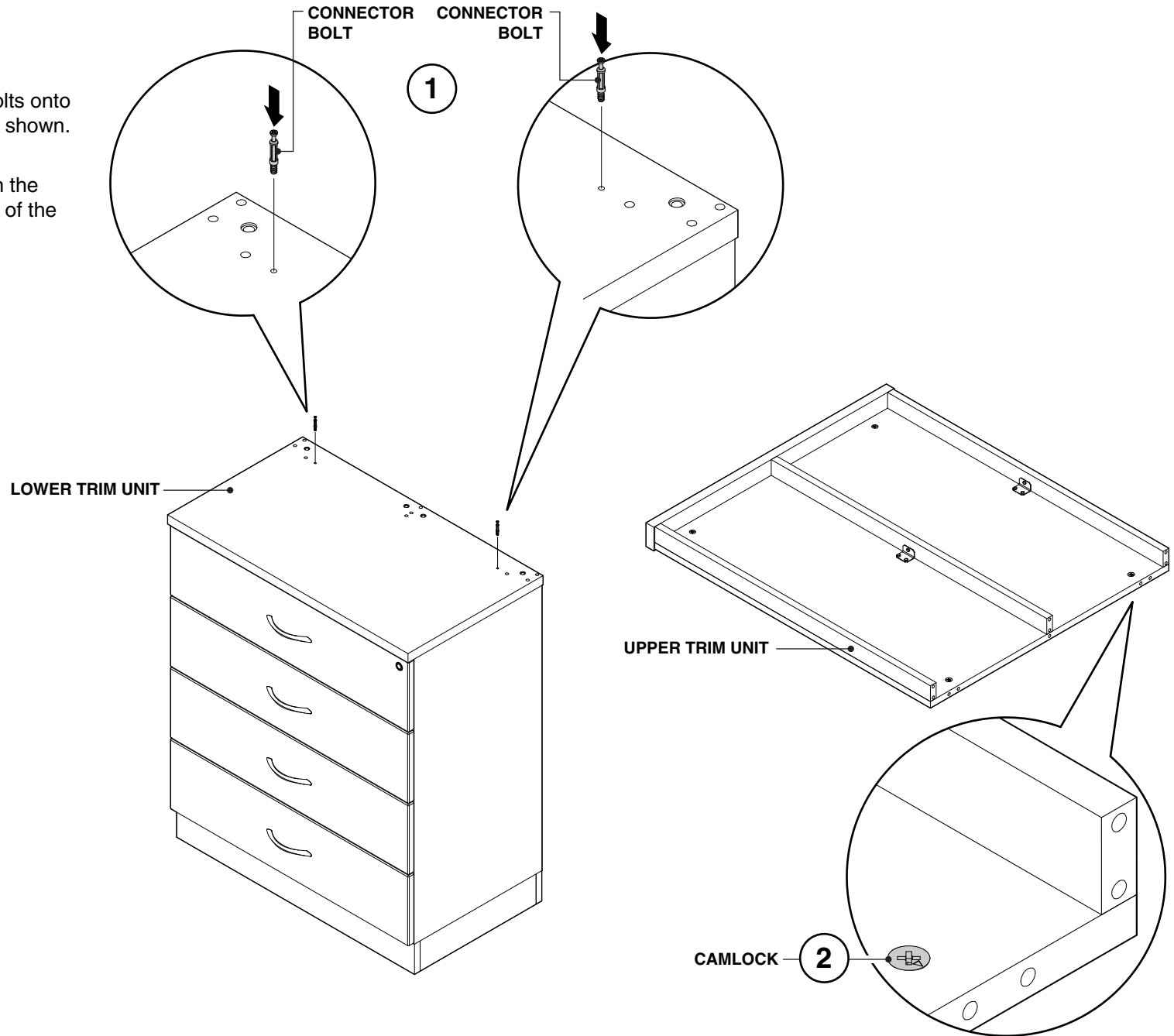
Printed in U.S.A.

Steelcase

HEALTH

1. Install two (2) connecting bolts onto the top of the lower trim unit as shown.

2. Make sure that the arrow on the cam lock points in the direction of the connector bolt.

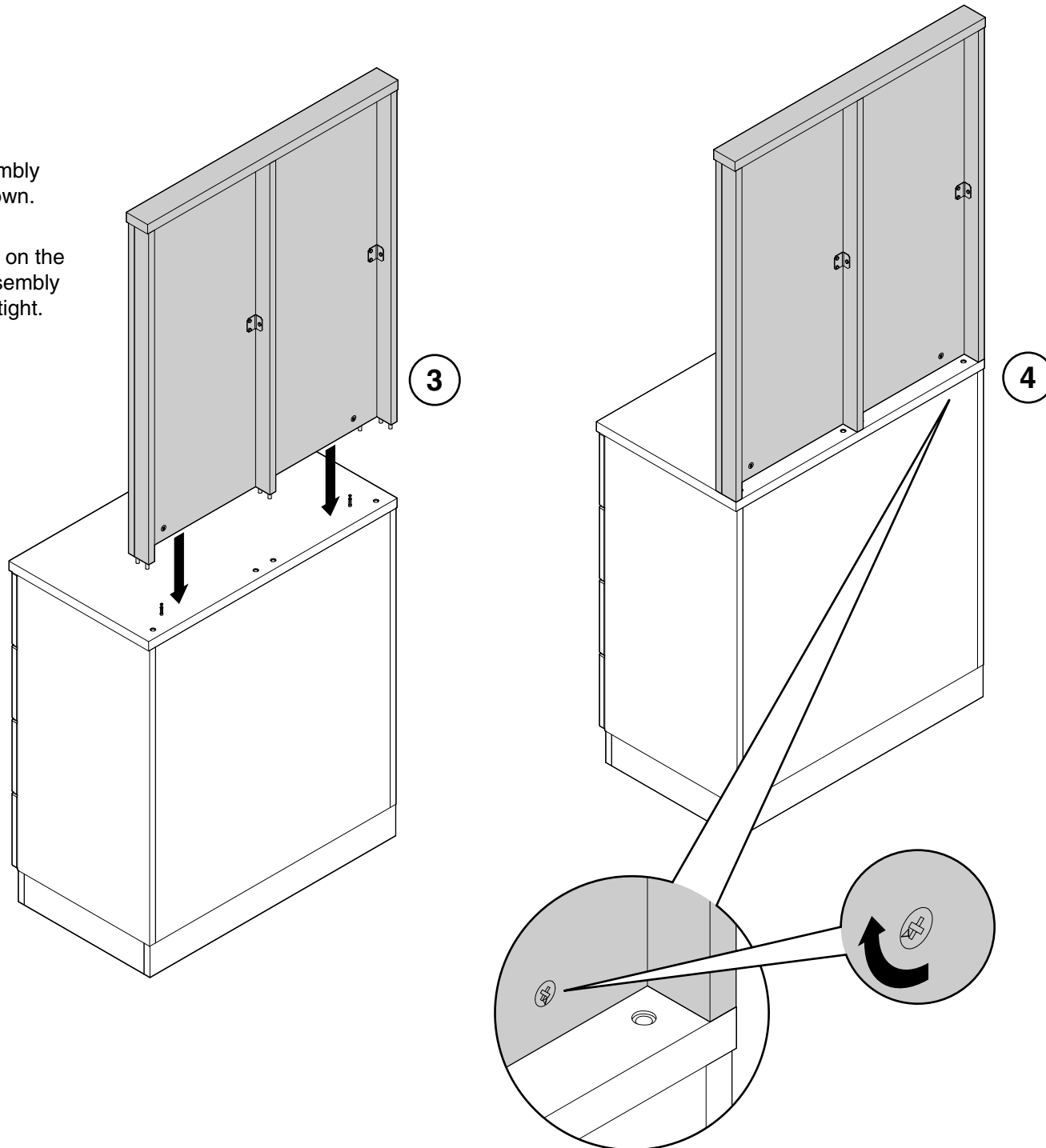


Steelcase

HEALTH

3. Place upper trim unit assembly onto the lower trim unit as shown.

4. Turn the two (2) cam locks on the back of the upper trim unit assembly clockwise 90 degrees or until tight.

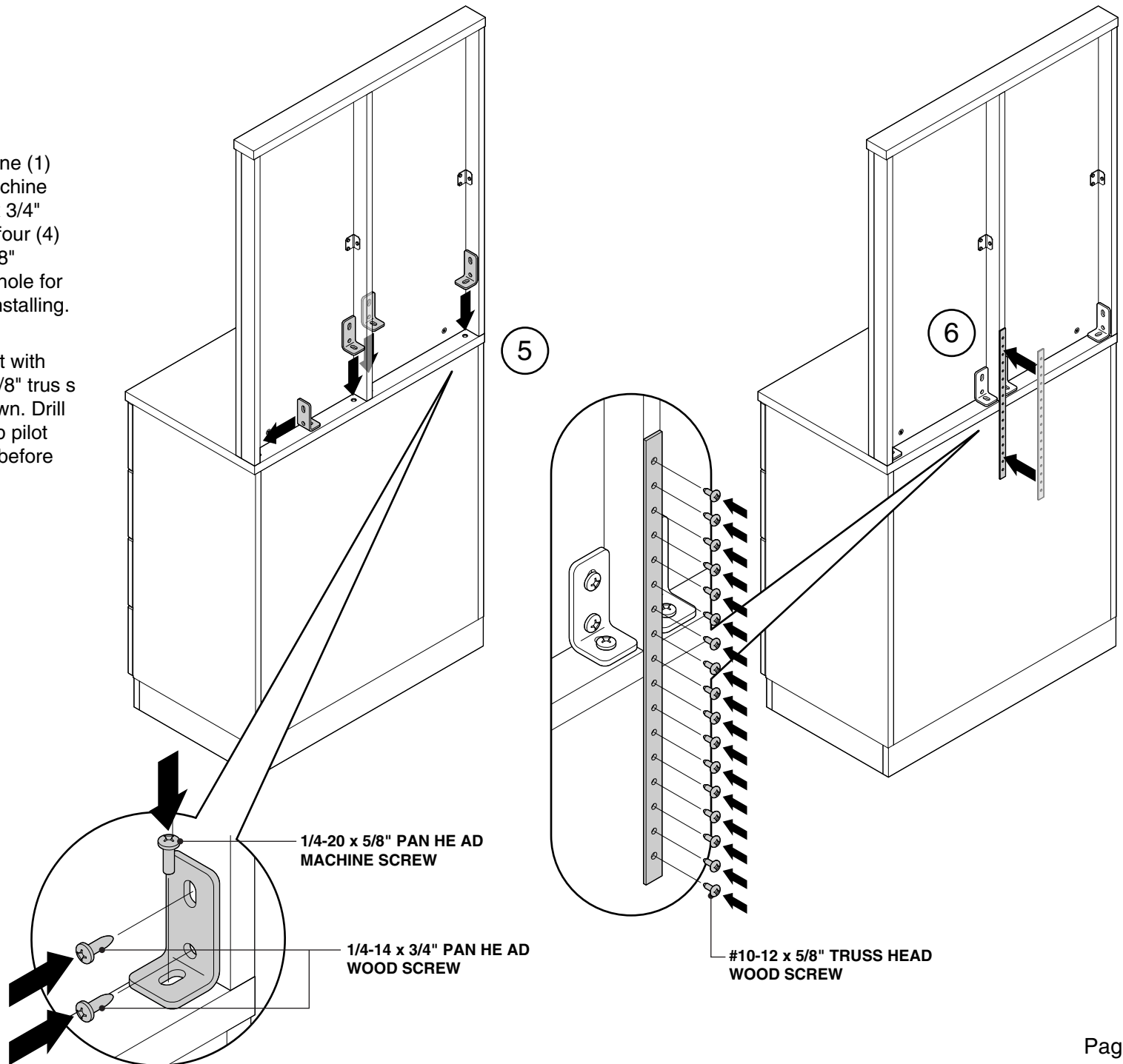


Steelcase

HEALTH

5. Install 'L' bracket with one (1) 1/4-20 x 5/8" pan head machine screw and two (2) 1/4-14 x 3/4" pan head wood screws in four (4) places as shown. Drill a 1/8" diameter x 1/2" deep pilot hole for each wood screw before installing.

6. Install mounting bracket with seventeen (17) #10-12 x 5/8" truss head wood screws as shown. Drill a 1/8" diameter x 1/2" deep pilot hole for each wood screw before installing.



Secure the unit to the wall to prevent tipping

1. The bottom of each storage unit has adjustable glides. Level the unit before mounting to the wall.

2. Remove all drawers from the unit. Pull the drawer out until it stops. Lift up on the lock catch on the right hand side of the drawer & push down on the lock catch on the left hand side of the drawer. Pull out on the drawer as shown.

TIP: Mark all drawers so they can be easily re-installed in their original positions.

3. Locate and drill wall attachment fasteners in the areas shown. The use of a toggle bolt anchor is acceptable if no stud is present in the mounting position.

4. Re-install drawers in their original positions.

