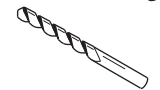
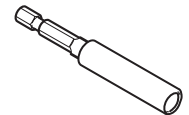
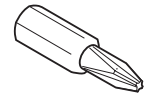
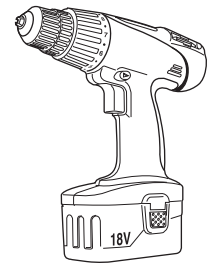
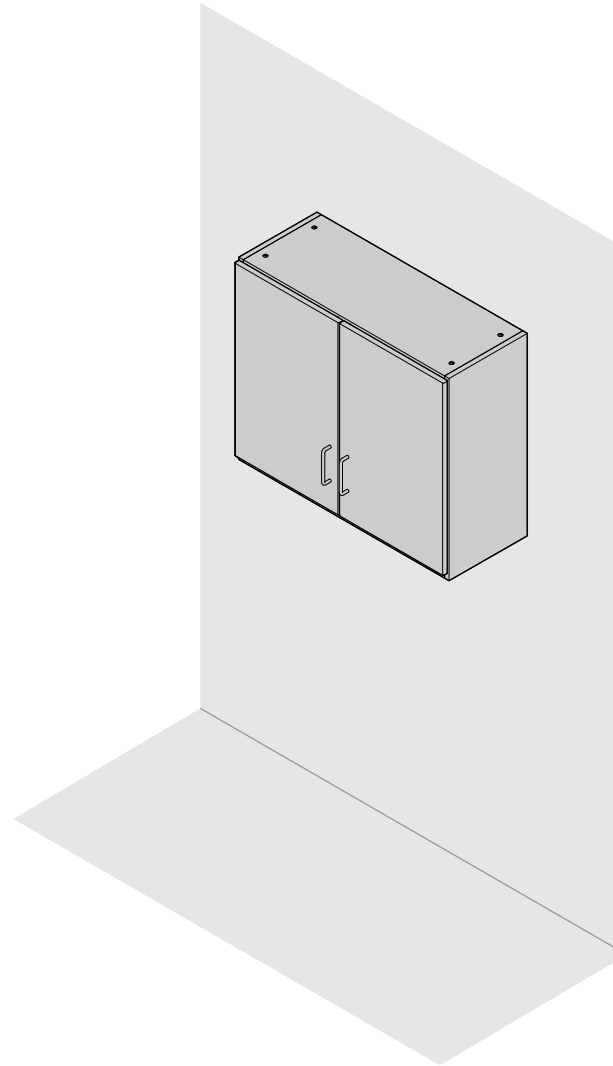


⚠ CAUTION

FAILURE TO FOLLOW THESE INSTRUCTIONS COULD RESULT IN PROPERTY DAMAGE OR PERSONAL INJURY.

Read the entire Assembly Direction before beginning installation or assembly. Building construction varies greatly and is outside Steelcase's control. The Building's Engineer of Record is responsible for the design of studs, backing, reinforcement, supporting members etc. which the units are attached to and must verify the adequacy of the mounting hardware. These instructions and any hardware provided by Steelcase are for convenience only and are not an indication of what may be required by your local Code.

The building owner or designated agent is responsible for verifying that the installation is in compliance with all local Codes and regulations.



5/16" DRILL BIT

If you have a problem, question, or request, call your local dealer, or Steelcase Line 1 at **888.STEELCASE** (888.783.3522) for immediate action by people who want to help you.





(Outside the U.S.A., Canada, Mexico, Puerto Rico, and the U.S. Virgin Islands, call: 1.616.247.2500)
Or visit our website: www.steelcase.com

© 2014 Steelcase Inc.
Grand Rapids, MI 49501
U.S.A.

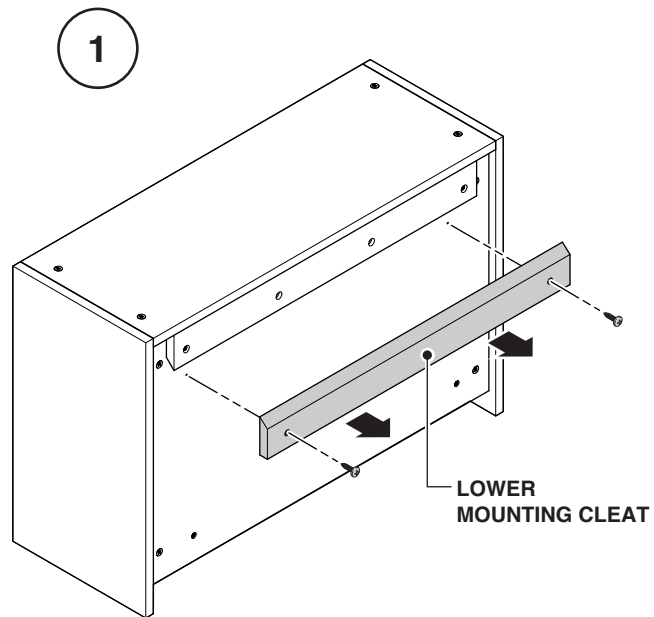
Printed in U.S.A.

Mounting hardware is to be specified/verified by the Building's Engineer of Record. Install fasteners per the hardware manufacturer's instructions.

The following is a list of hardware that is supplied with the product commonly used for attachment to stud and wallboard construction.

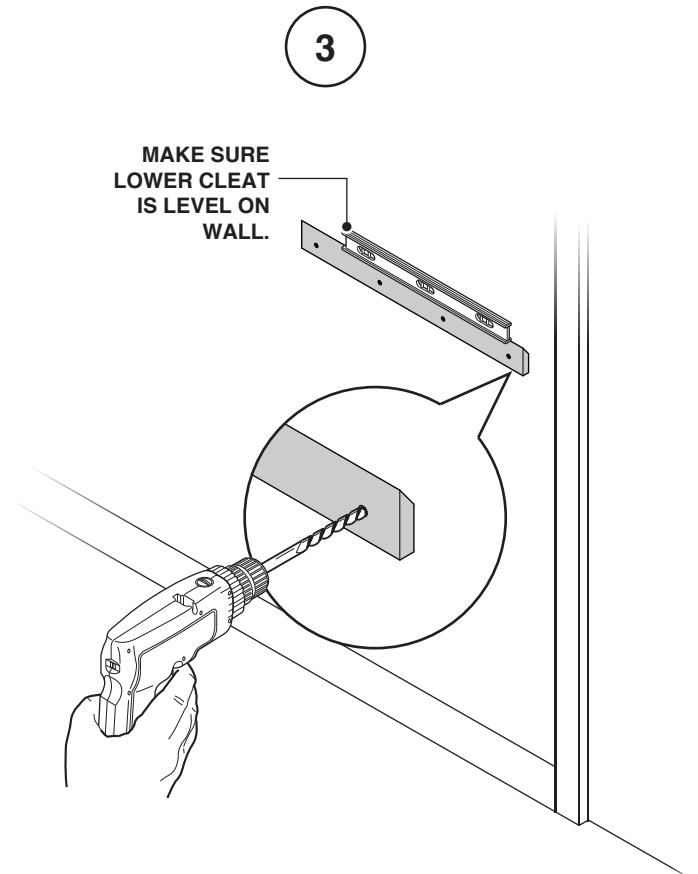
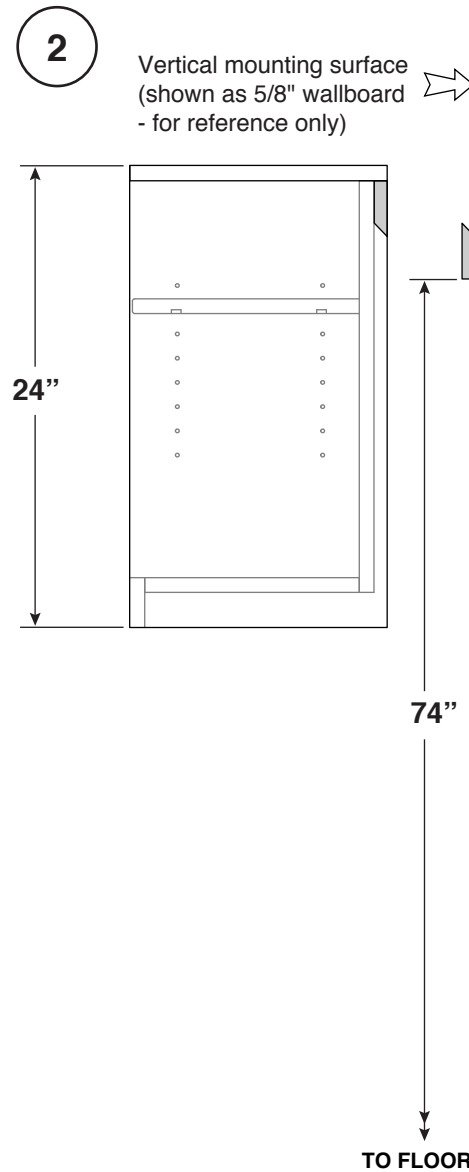
Hardware	12"W to 36"W
ITEM	Qty.
 Toggle Bolt Anchor	4
 Toggle Bolt (2-1/2" - 3" Long)	4
 #10 x 3" Wood Stud Screw	2
 #10 x 1-1/4" Wood Screw	2

1. Remove lower mounting cleat from the back of the upper storage cabinet. Retain screws for later use.



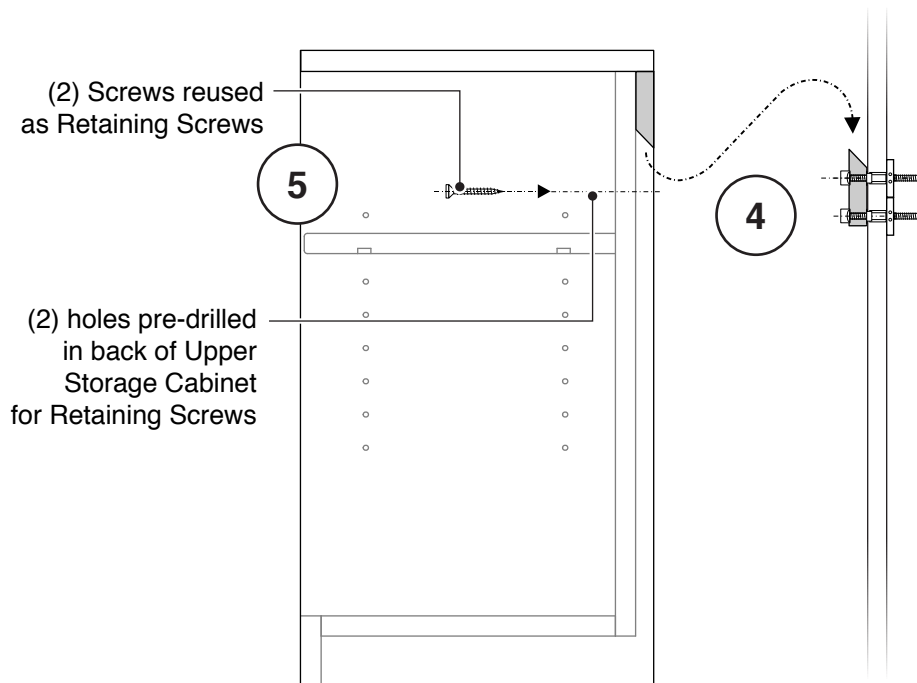
2. Position lower mounting cleat on wall as shown.

3. Using a 5/16" drill bit, drill through the pilot holes in the lower mounting cleat to mark the mounting holes onto the wall.



4. Position the upper storage cabinet on the wall, ensuring complete engagement of the upper mounting cleat (attached to the back of the unit) onto the lower mounting cleat (attached to the wall).

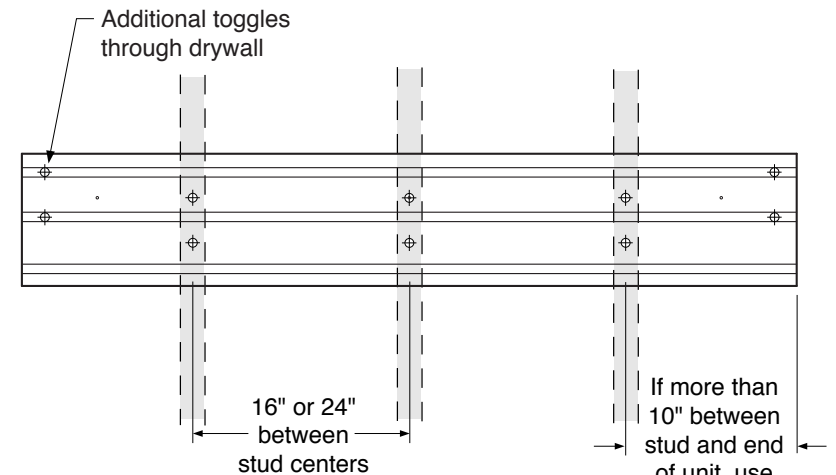
5. Secure the upper storage cabinet unit into position (using the screws that were removed on step 1) by screwing through the pre-drilled holes on the back panel of the overhead unit and into the lower mounting cleat.



Drywall Or Plastered Walls (For Wood Or Metal Studs)

The building's Engineer of Record is responsible for the design and verification of the building construction. Recommended minimum construction is as follows:

- Drywall should be at least 5/8" thick and attached securely to studs with screws.
- Studs should be at least 2" x 4" for wood, and 26 ga. or thicker for metal.
- Studs should be 24" on center, maximum.



NOTE: Toggles through drywall are a requirement under this condition.