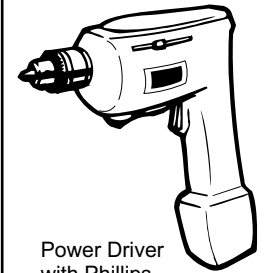
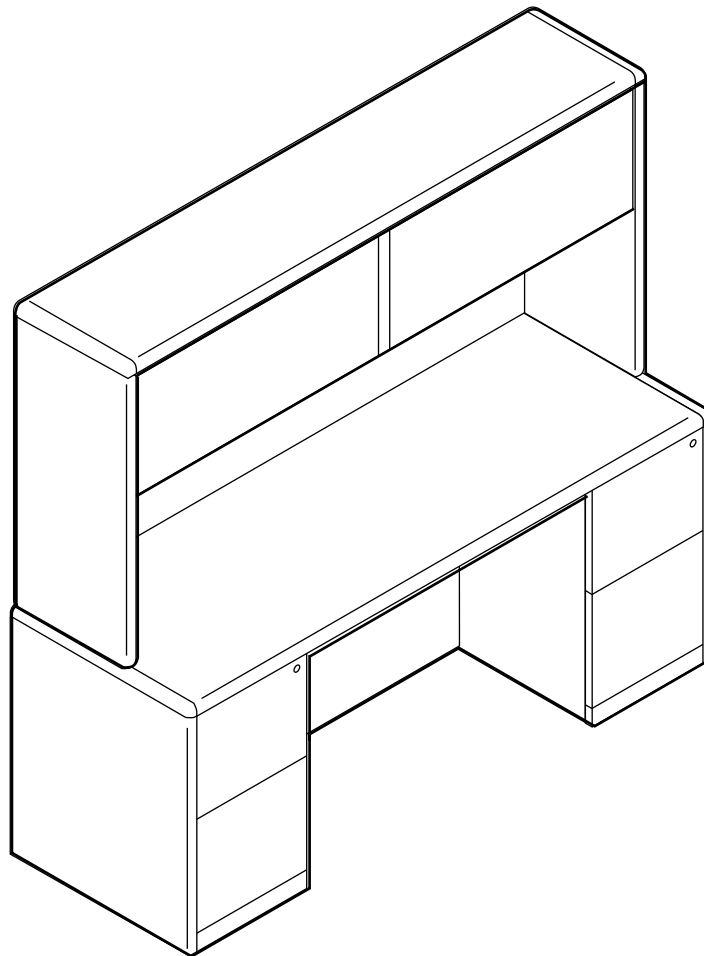


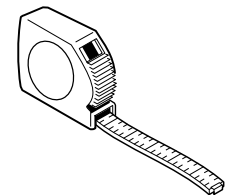
Walden - Service Module Installation



Power Driver
with Phillips
or Square tip



#30 Drill Bit



If you have a problem, question, or request, call your local dealer, or Steelcase Line 1 at **888.STEELCASE** (888.783.3522) for immediate action by people who want to help you.

(Outside the U.S.A. Canada, Mexico, Puerto Rico, and the U.S. Virgin Islands, call: 1.616.247.2500)
Or visit our website: www.steelcase.com

© 2002 Steelcase Inc.
Grand Rapids, MI 49501
U.S.A.

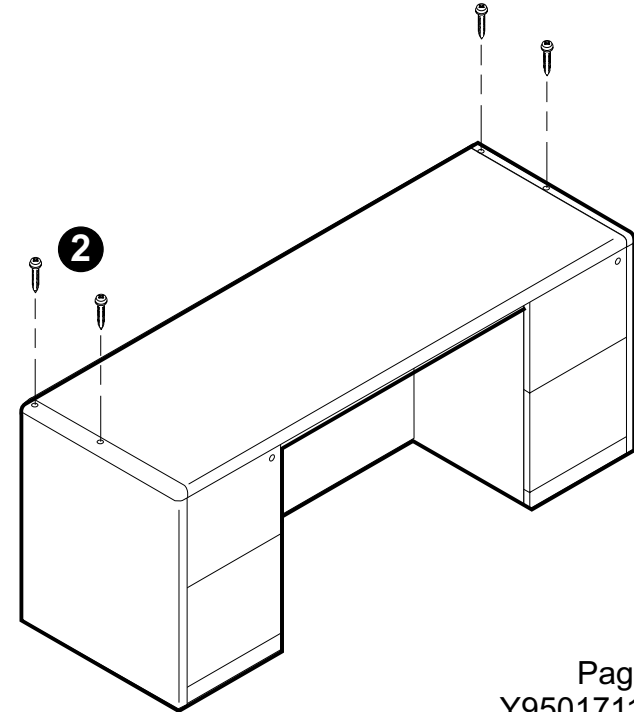
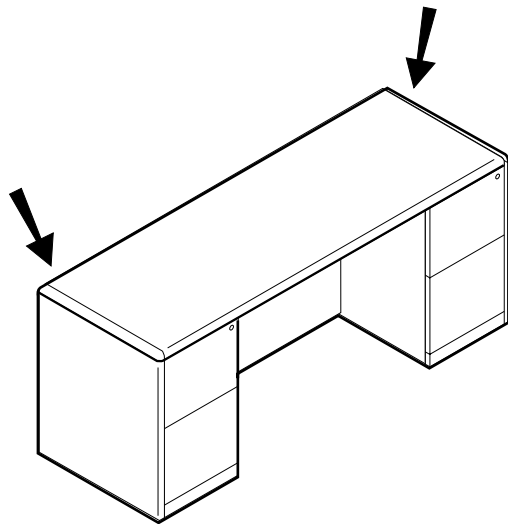
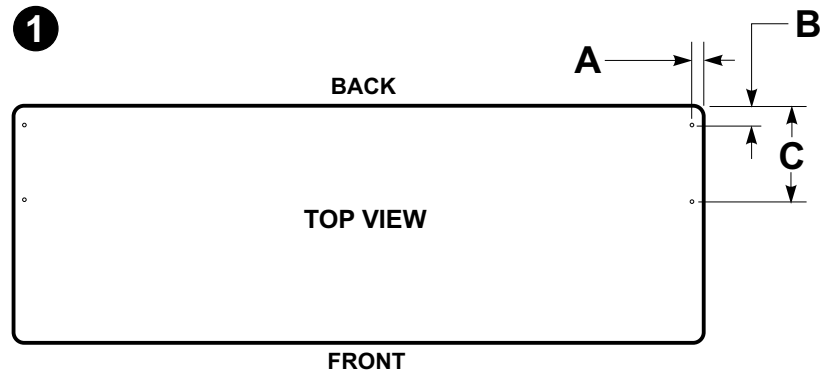
Printed in the U.S.A.

1. Refer to the chart to mark locations for modeez screws.

Note: accuracy is critical.

2. Drill four (4) pilot holes 1/8" dia. and 1/2" deep. Install four modeez screws.

	A	B	C
Walden	23/32"(18.1mm)	3-7/16"(87.1mm)	12-5/8"(320.6mm)



3. Position service module on top of credenza so that modeez screws are located *to rear* of female fastener.

4. Slide service module in direction of arrow until end panels of both units are in alignment.

