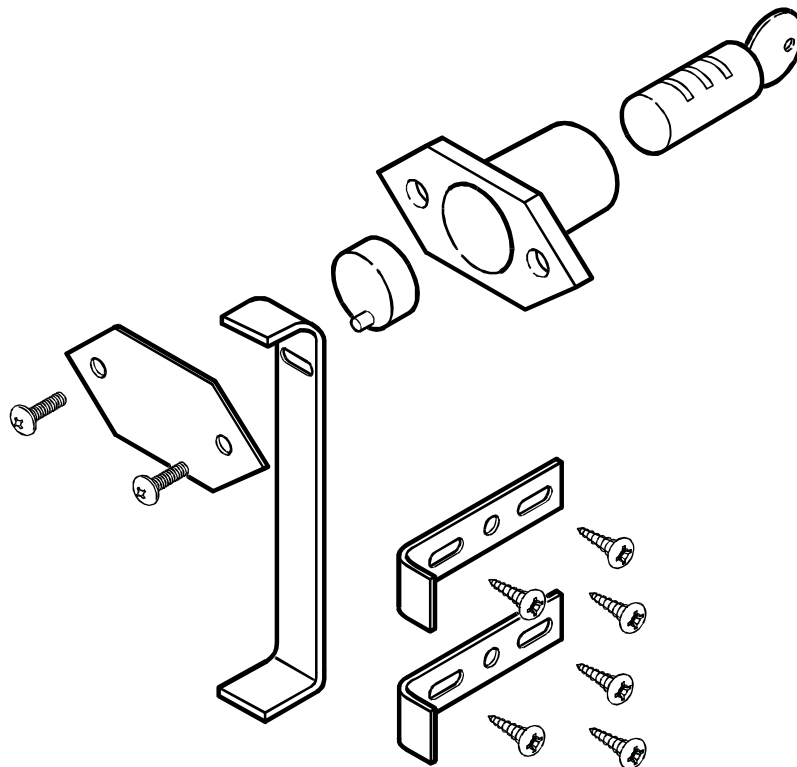
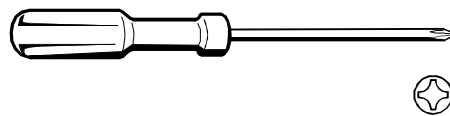
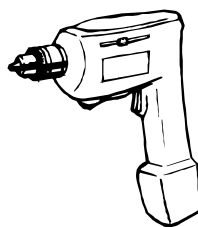


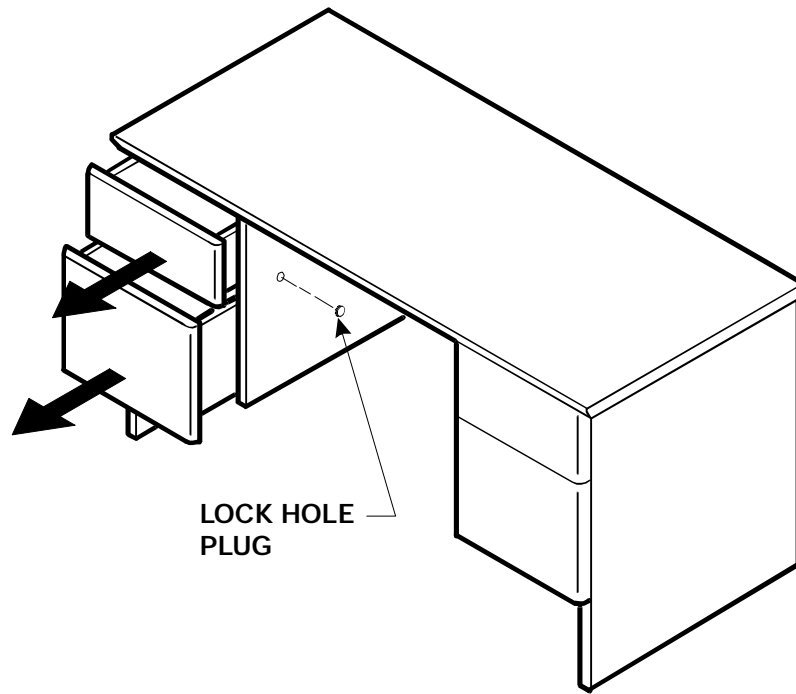
Knee Lock Installation

- Applicable to Patron, Parkway, Walden, Linden

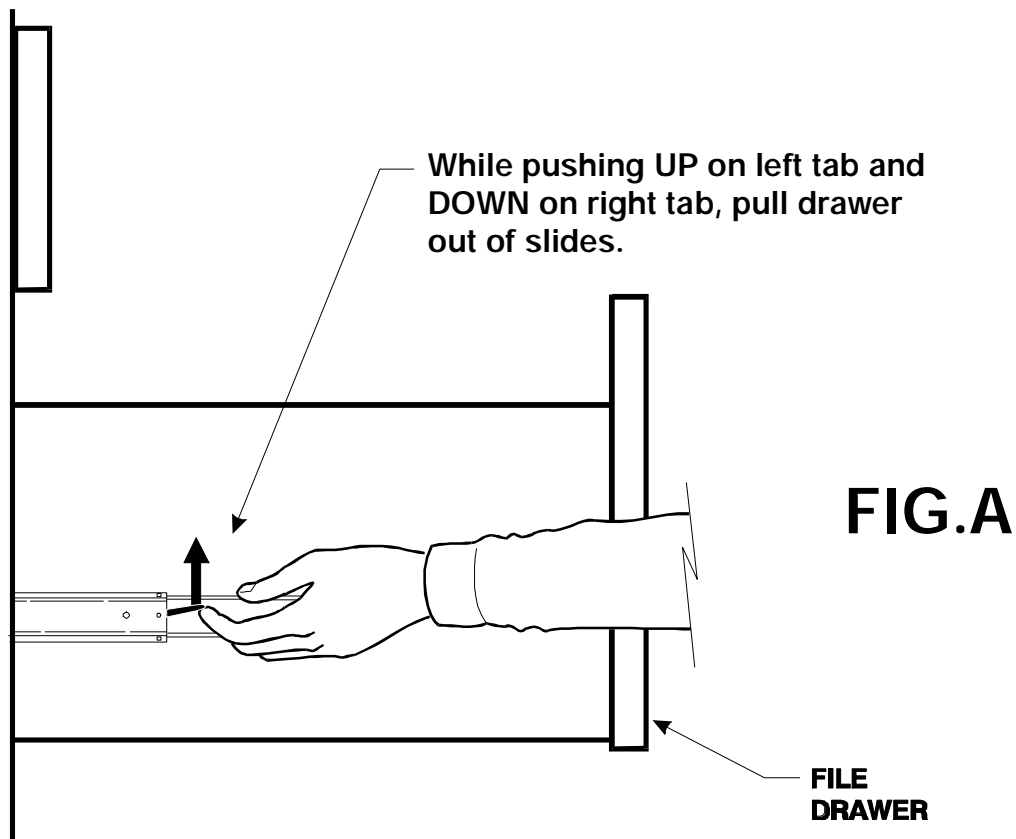


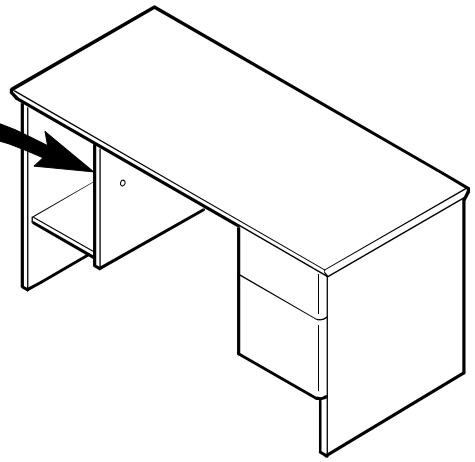
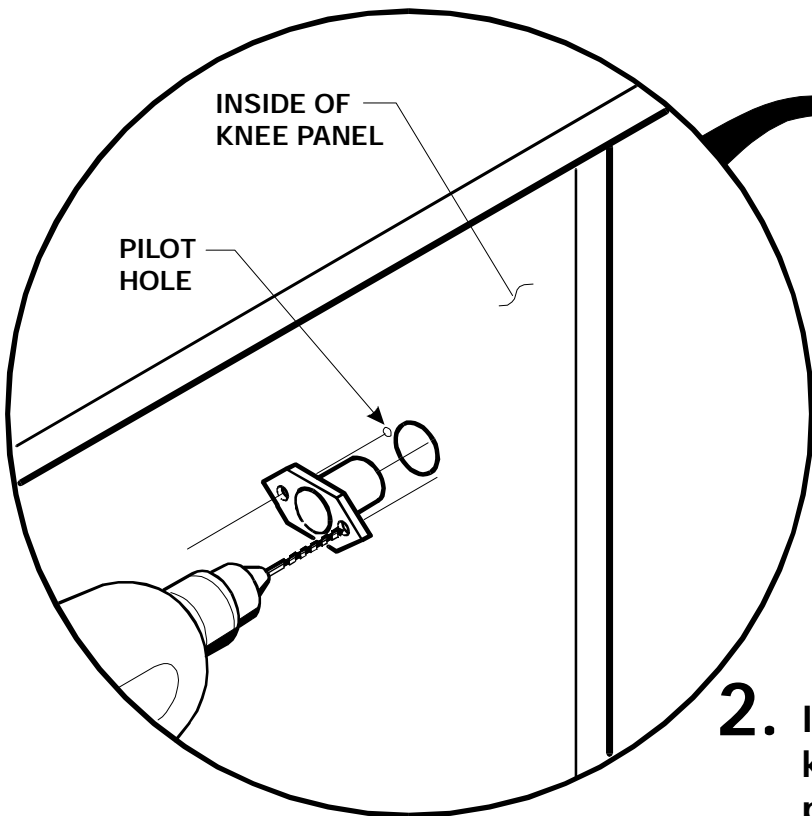
Tools



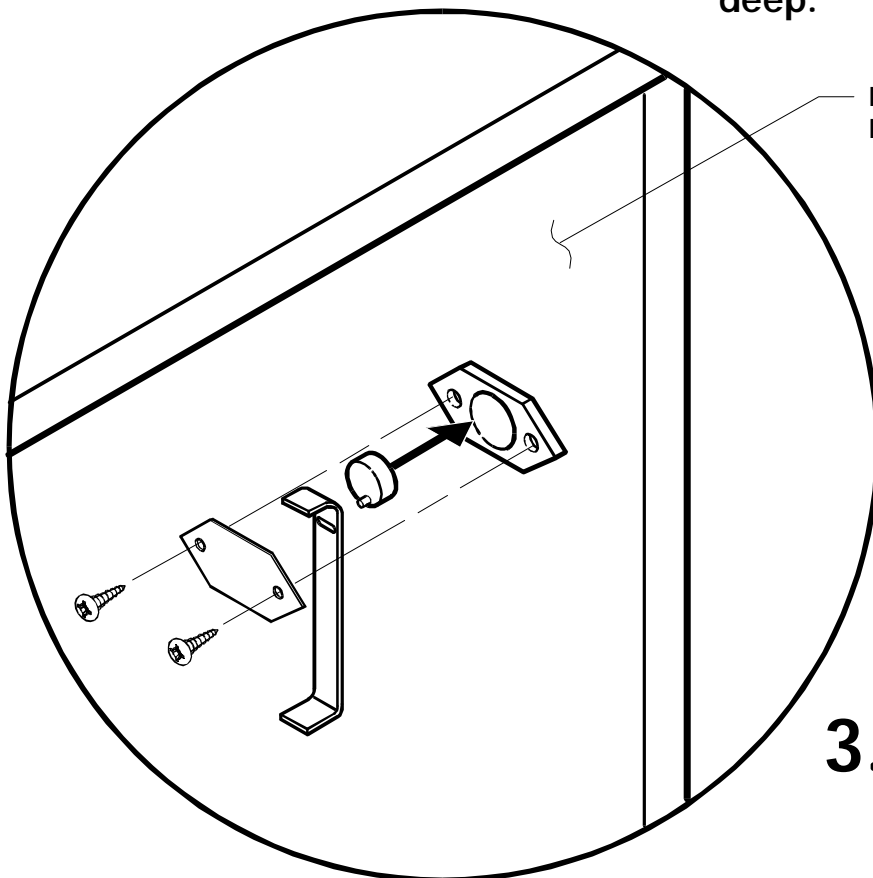


1. Remove both drawers (see FIG. A for file drawer removal). Press out lock hole plug.

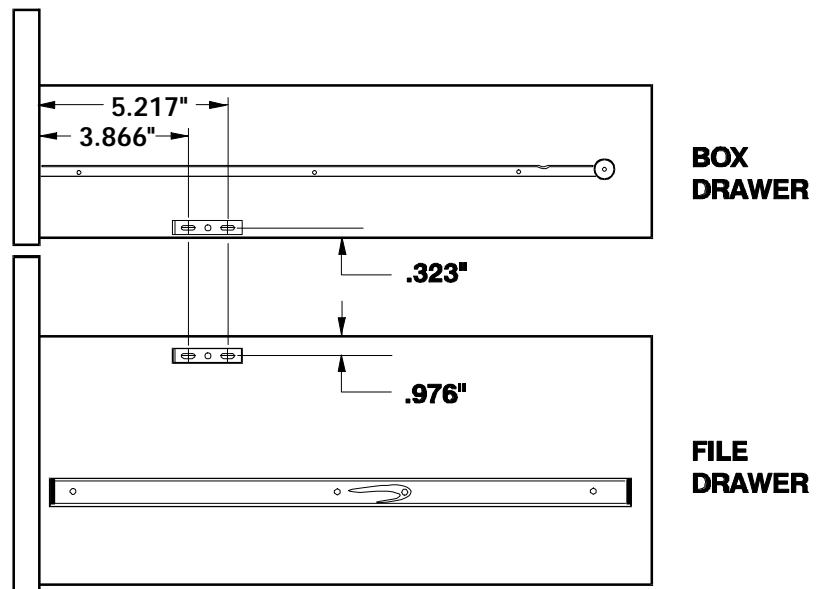
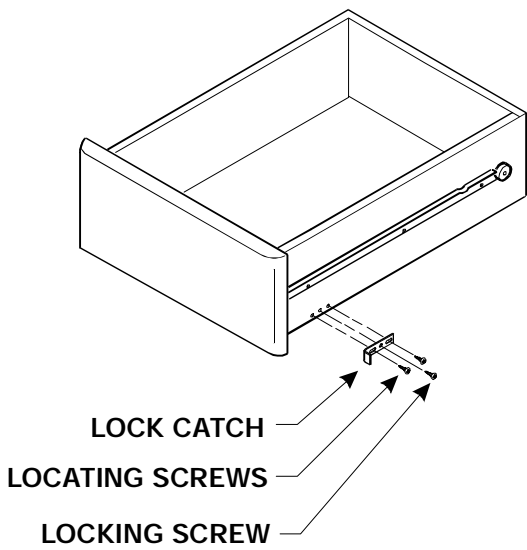




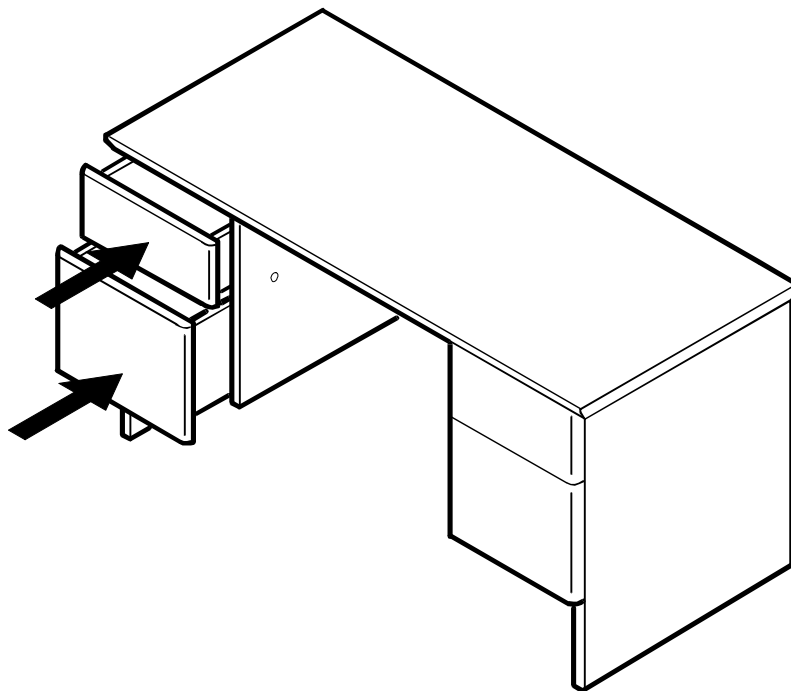
- 2.** Insert lock housing into hole in knee panel. Align with pre-drilled pilot hole, then drill other pilot hole 1/8" (3.1mm) dia. and 1/2" (12.7mm) deep.



- 3.** Install lock components as shown.



- 4.** Locate and install lock catches with locating screws.
Now install locking screw.
Note: Be sure to install catches on side of drawer adjacent to lock assembly.



- 5.** Re-install drawers.