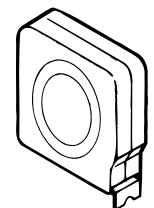
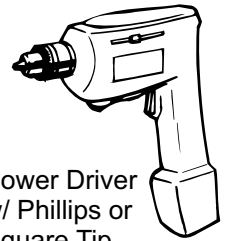
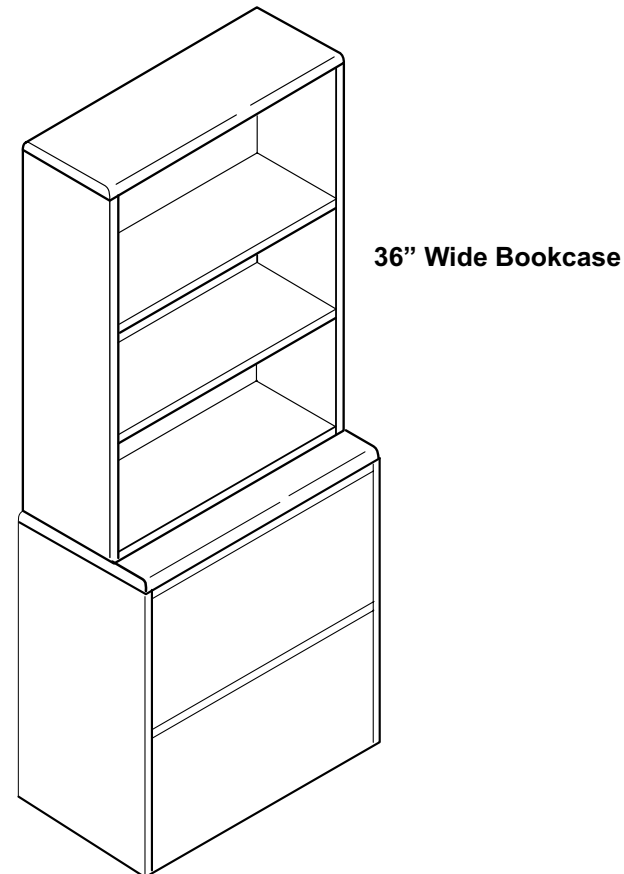
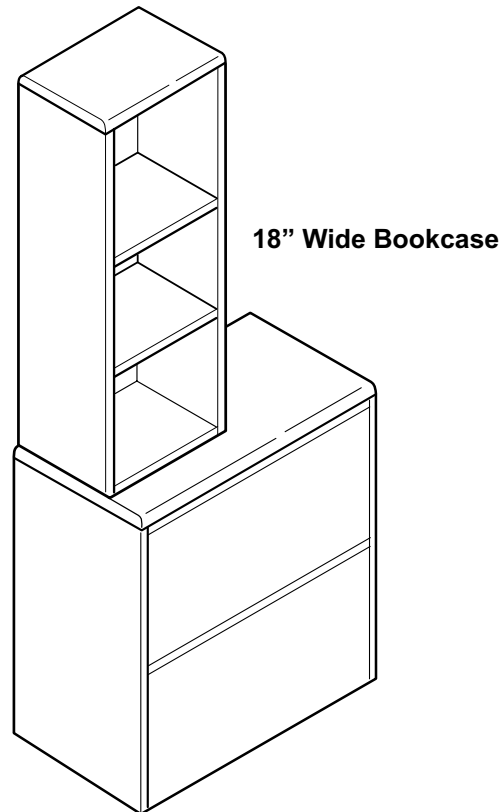


Walden - Bookcase Installation

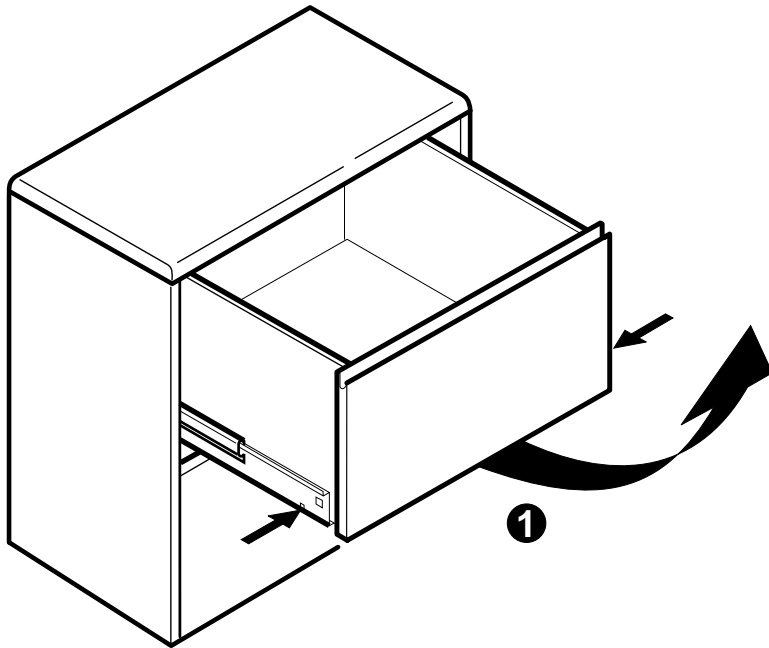


If you have a problem, question, or request, call your local dealer, or Steelcase Line 1 at **888.STEELCASE** (888.783.3522) for immediate action by people who want to help you.

(Outside the U.S.A. Canada, Mexico, Puerto Rico, and the U.S. Virgin Islands, call: 1.616.247.2500) Or visit our website: www.steelcase.com

© 2002 Steelcase Inc.
Grand Rapids, MI 49501
U.S.A.

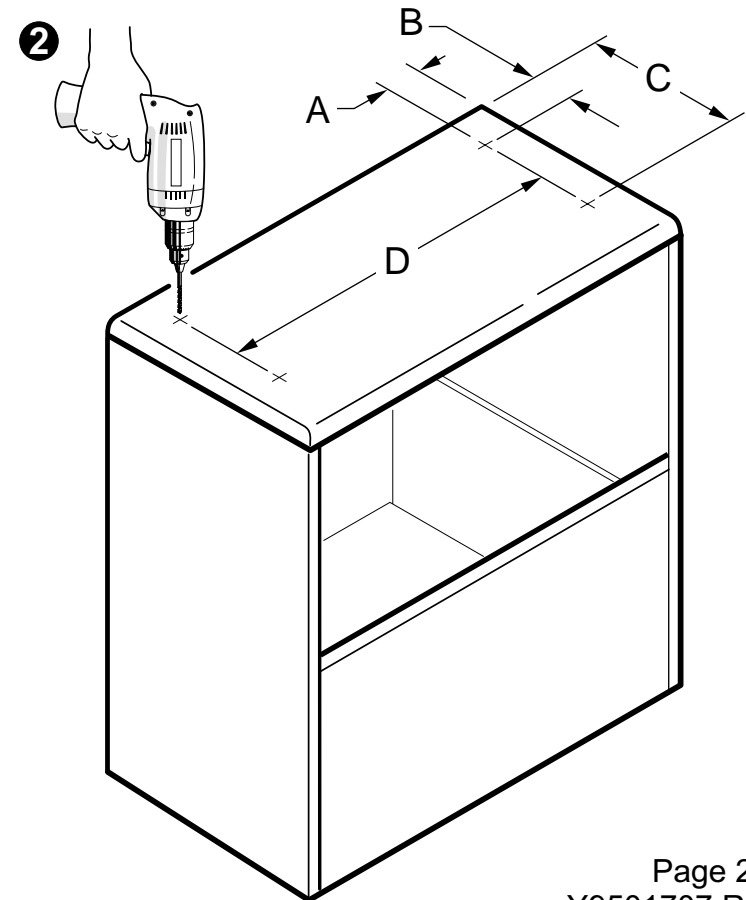
Printed in the U.S.A.

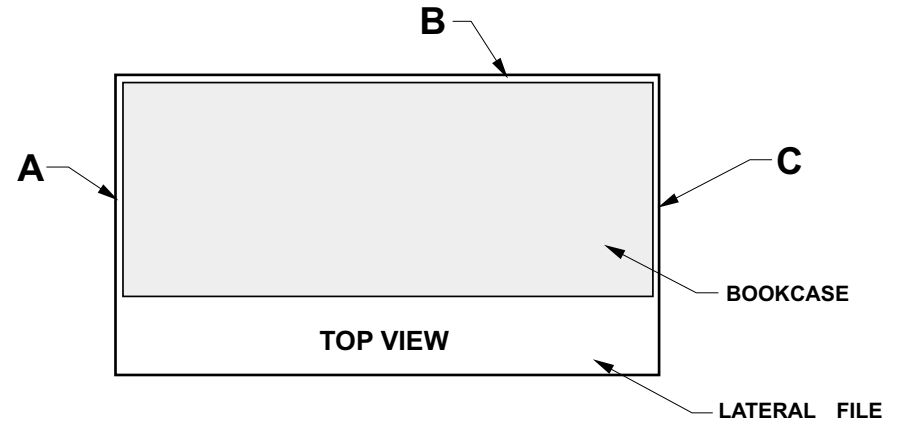
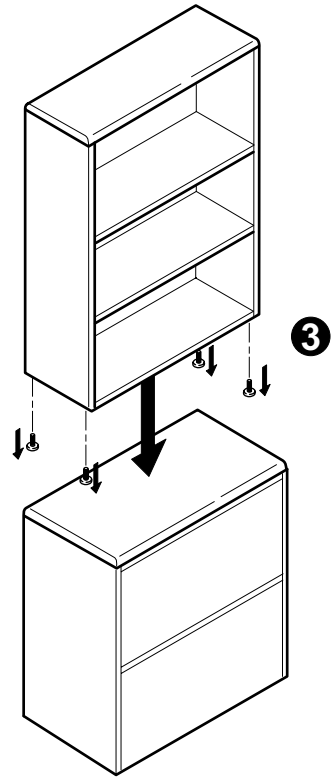


1. Remove top drawer.

2. Refer to the chart to locate and drill (4) clearance holes using a 3/16" drill bit.

	Dim. A	Dim. B	Dim. C	Dim. D
Walden, 18"	2.875" (73 mm)	2.362" (60mm)	14.375" (365mm)	12.047" (306 mm)
Walden, 36"	2.875" (73mm)	2.375" (60mm)	14.375" (365mm)	30.250" (768 mm)

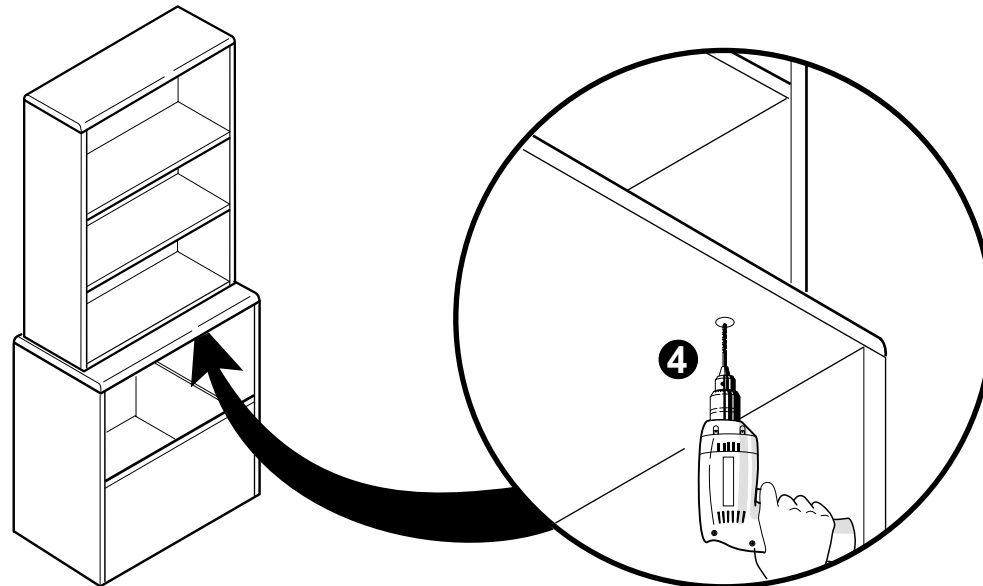


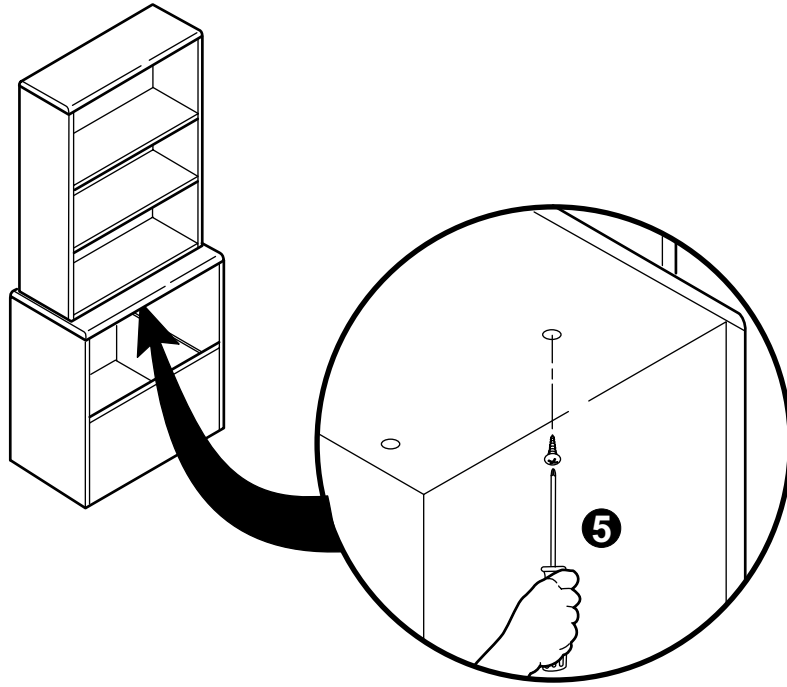


	Dim. A	Dim. B	Dim. C
Walden	1/16" (1.6mm)	1/16" (1.6mm)	1/16" (1.6mm)

3. Remove glides from bottom panel. Position bookcase on lateral file as shown.

4. Using clearance holes as guides, drill 1/8" pilot holes into bookcase bottom.





5. Install (4) 1-3/4 " screws.

6. Reinstall drawer.

