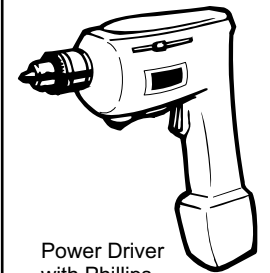
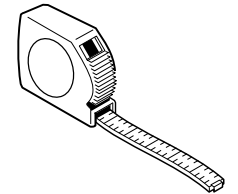
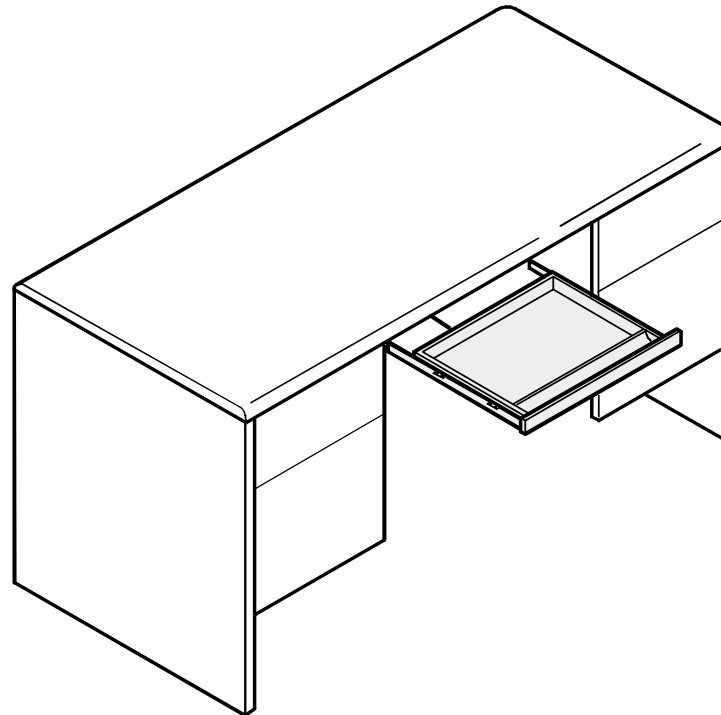


Walden - Center Drawer Installation



Power Driver
with Phillips
or Square tip



#30 Drill Bit

If you have a problem, question, or request, call your local dealer, or Steelcase Line 1 at **888.STEELCASE** (888.783.3522) for immediate action by people who want to help you.

(Outside the U.S.A. Canada, Mexico, Puerto Rico, and the U.S. Virgin Islands, call: 1.616.247.2500)
Or visit our website: www.steelcase.com

© 2002 Steelcase Inc.
Grand Rapids, MI 49501
U.S.A.

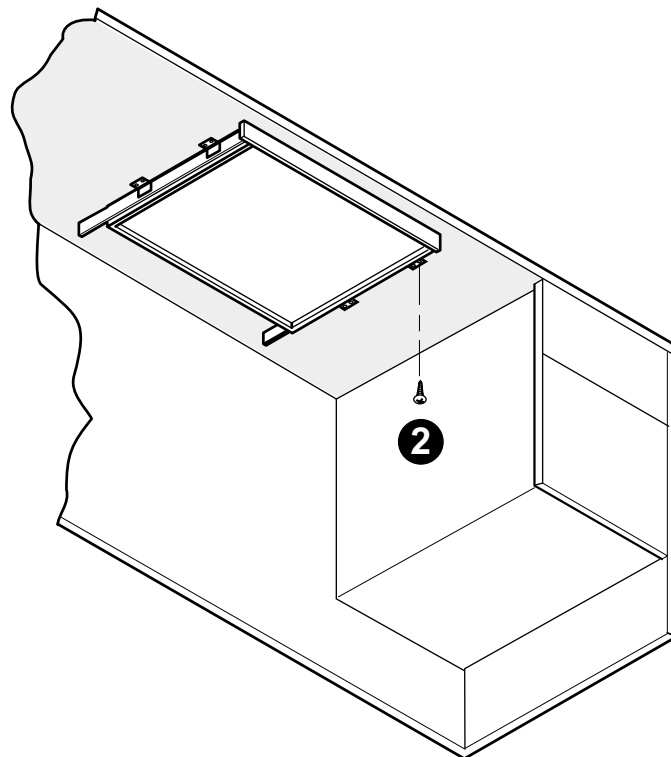
Printed in the U.S.A.

	Dim A	Dim B
60" Desks	3-3/4" (95.2mm)	3" (76.2mm)
66" Desks	6-3/4" (171.4mm)	3" (76.2mm)
72" Desks	9-3/4" (247.6mm)	3" (76.2mm)
Single Pedestal Desks	2-7/32" (56.3mm)	3" (76.2mm)

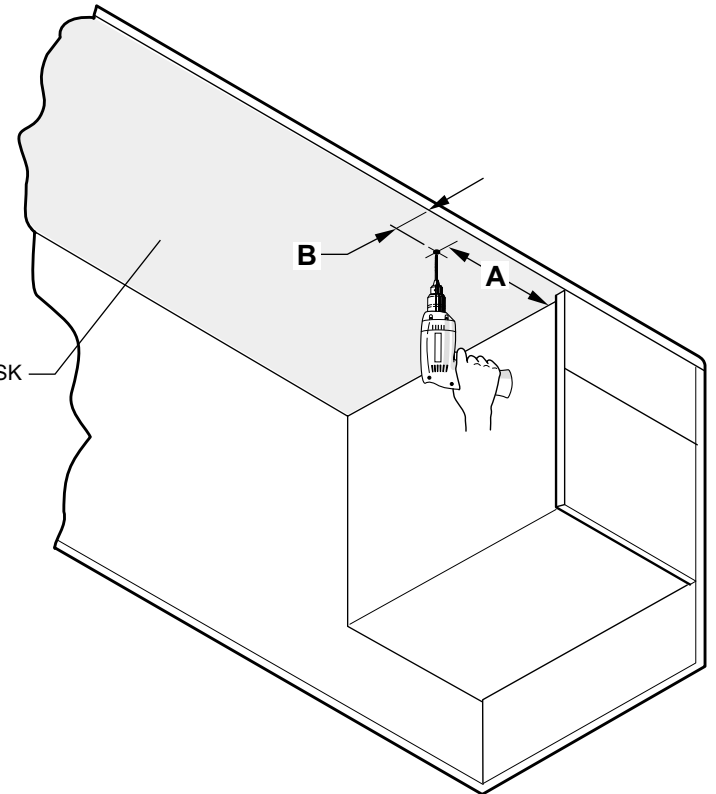
1

1. Refer to the chart to locate and drill 1/8" dia. pilot hole.

2. Install (1) screw.



UNDERSIDE OF DESK



3. Adjust position of center drawer.
Pilot drill and install (1) screw.

4. Install remaining (6) screws.

