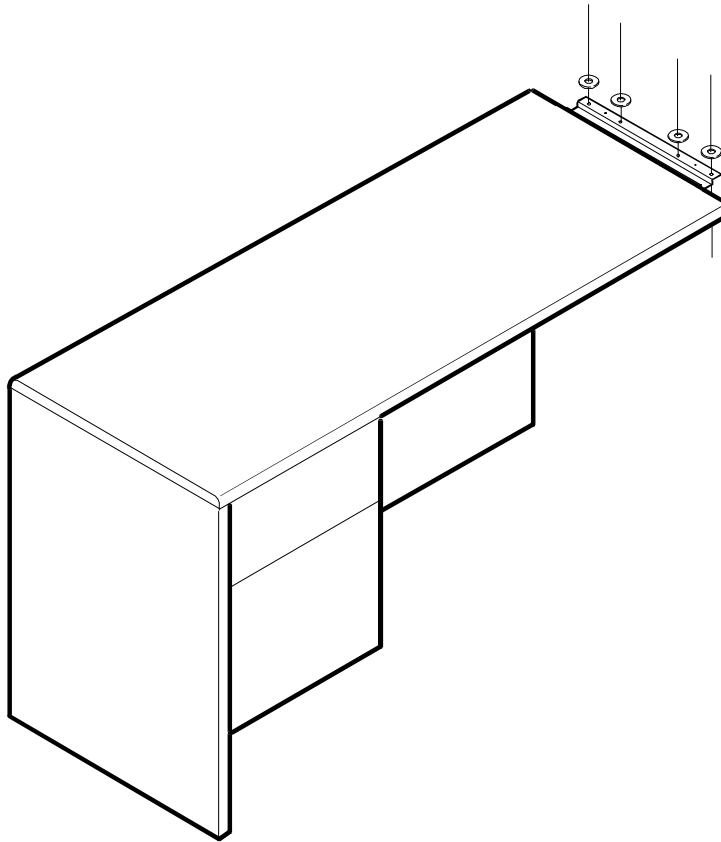


# Spacer Kit Installation

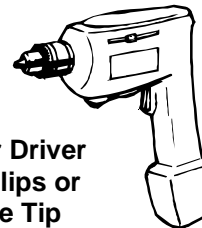
For use when attaching 1-3/16" replacement Walden and Paladin top panels manufactured *after* 5/2/97 to 1-1/4" tops manufactured *before* 5/2/97.  
(example: desk/return applications)



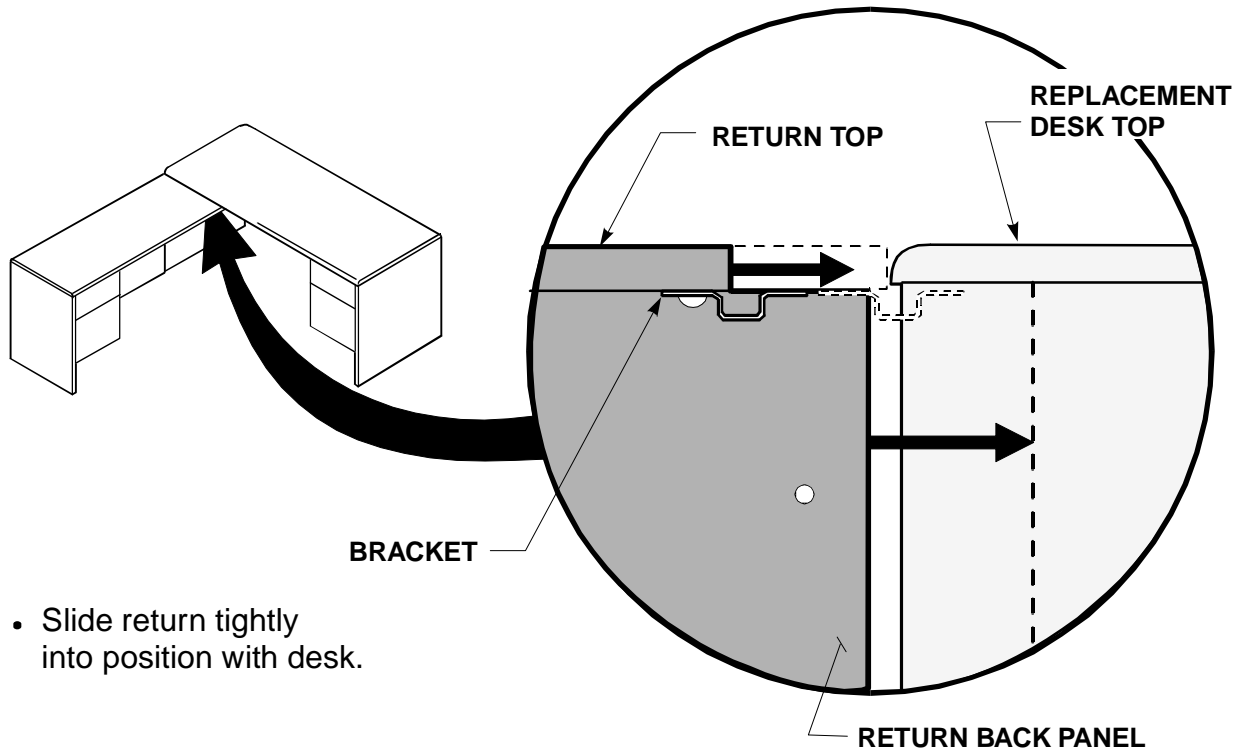
## Tools



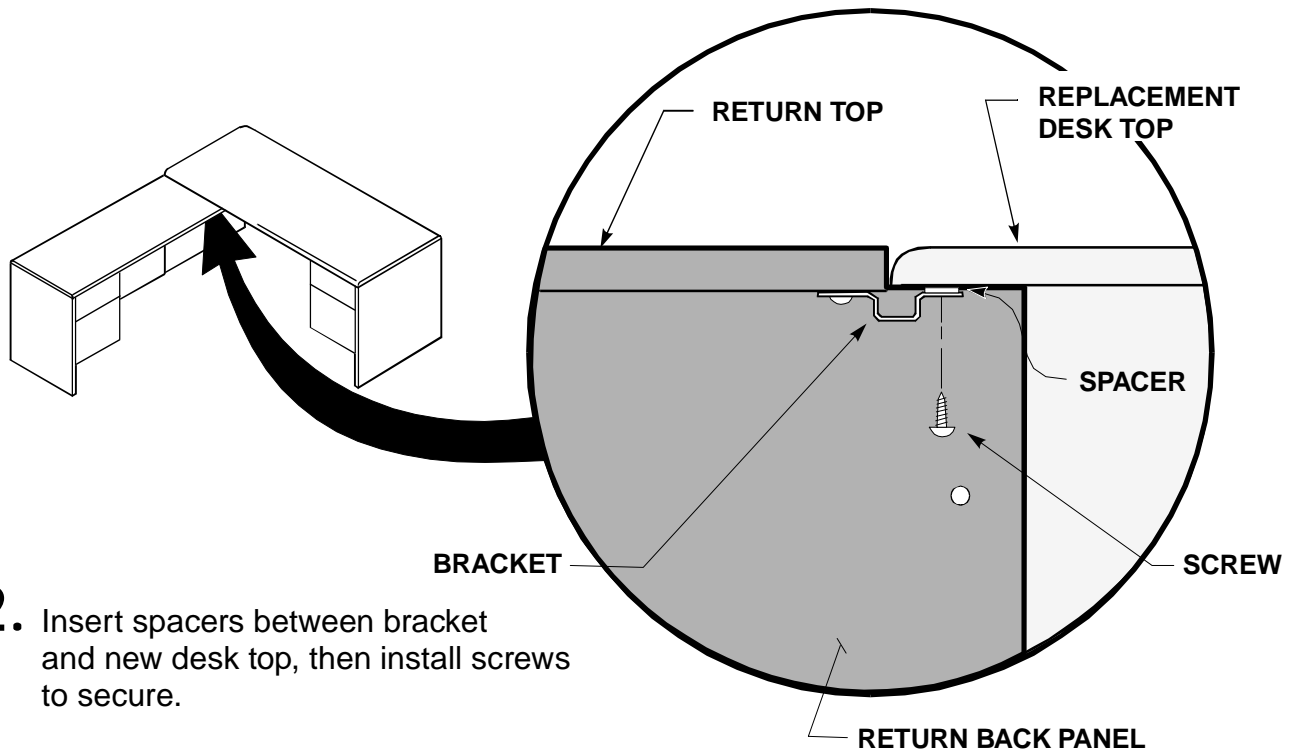
1/8" Drill Bit



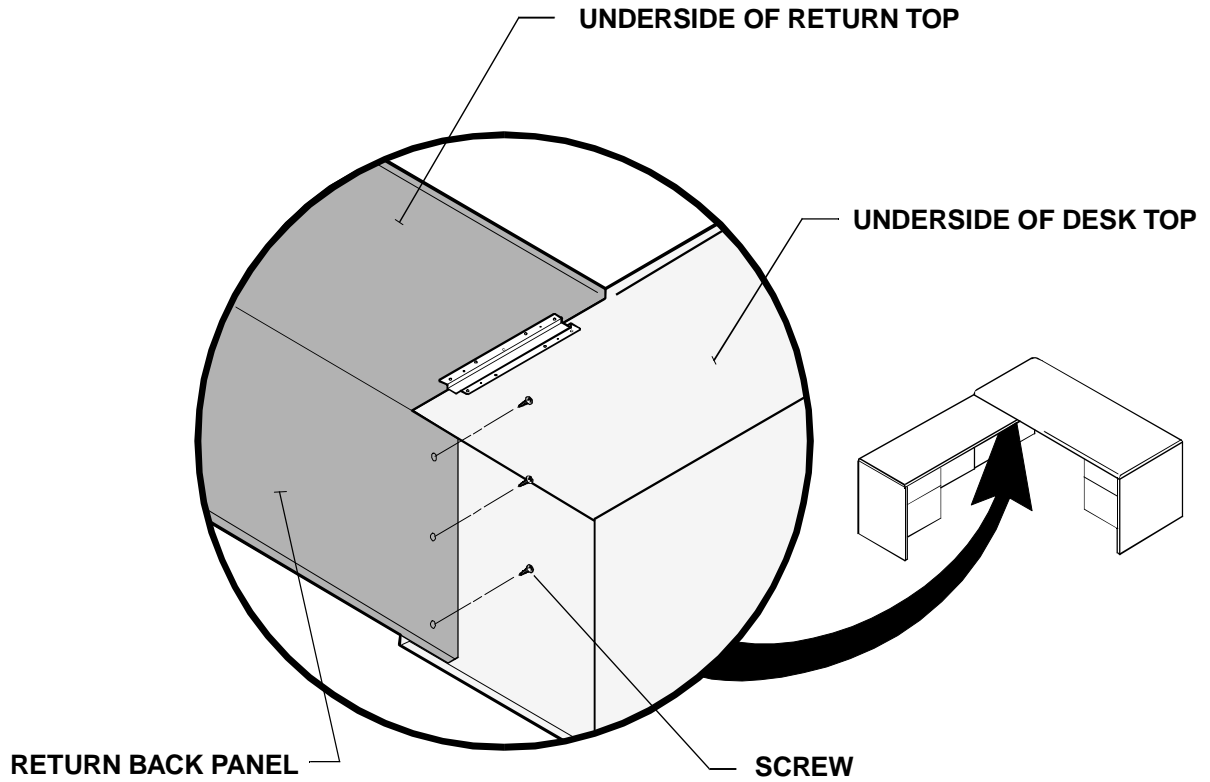
Power Driver  
w/Phillips or  
Square Tip



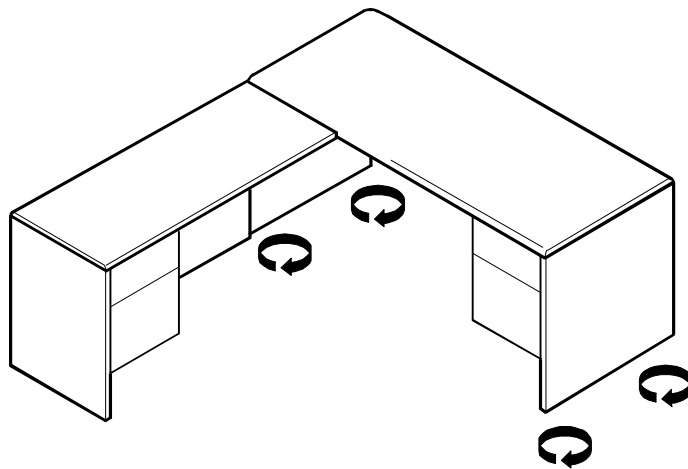
1. Slide return tightly into position with desk.



2. Insert spacers between bracket and new desk top, then install screws to secure.



**3.** Install (3) screws.



**4.** Adjust glides to level desk.