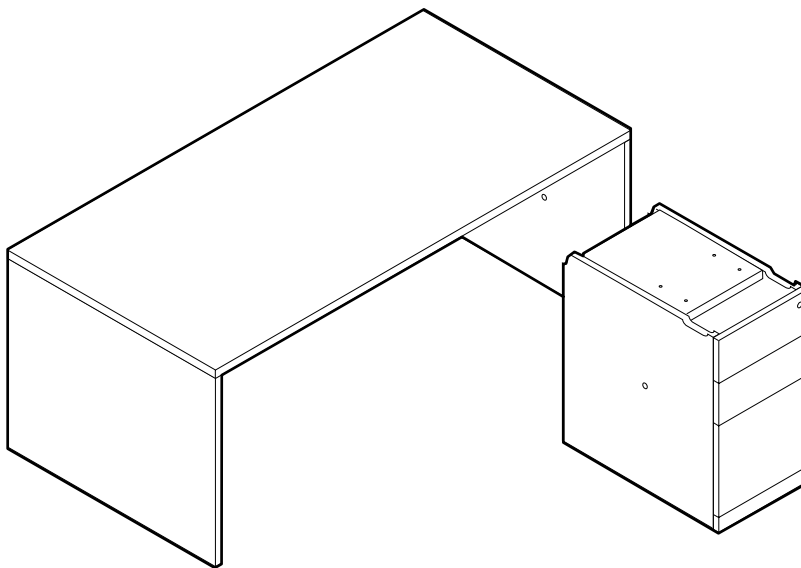


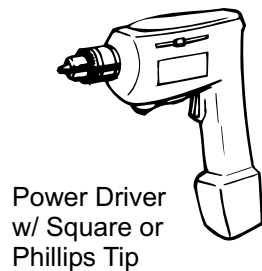
# Modular Pedestal Installation

## Walden / SAS

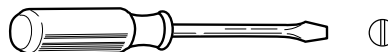
Full Height Pedestals  
Lateral File Pedestals



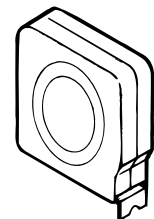
### Tools



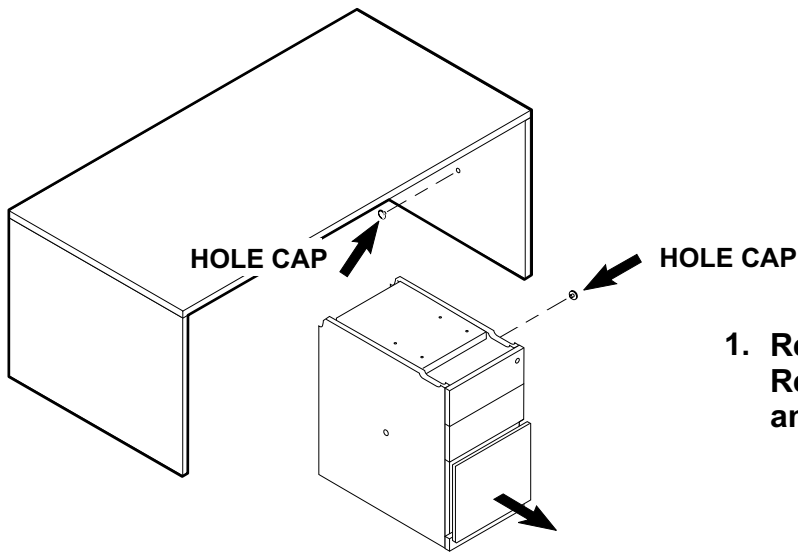
Power Driver  
w/ Square or  
Phillips Tip



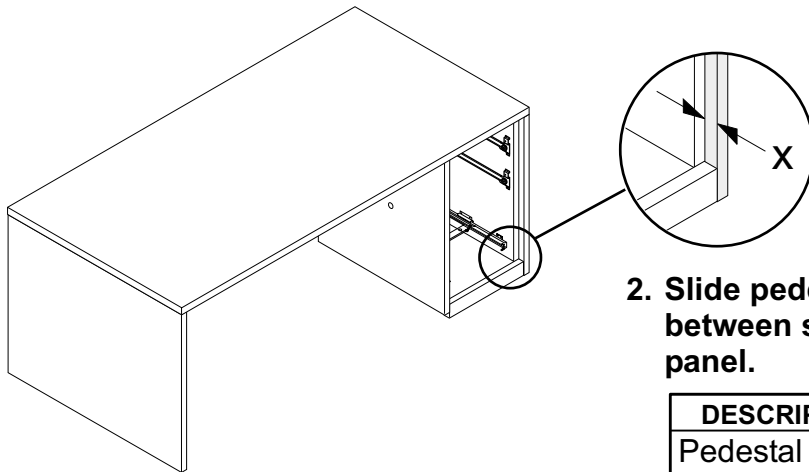
Straight Screwdriver



Tape Measure

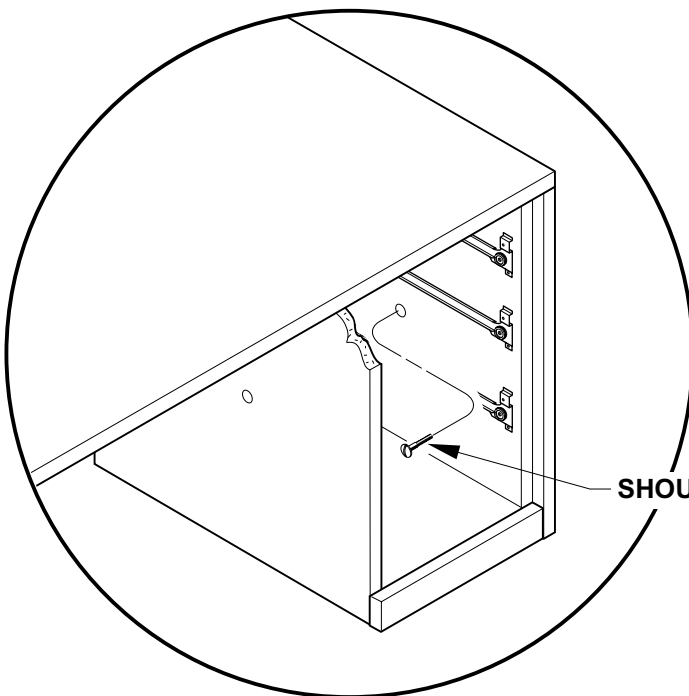


1. Remove drawers from pedestal. Remove hole caps on side of pedestal and end panel to be attached.

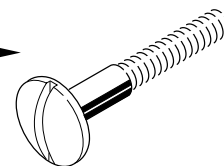


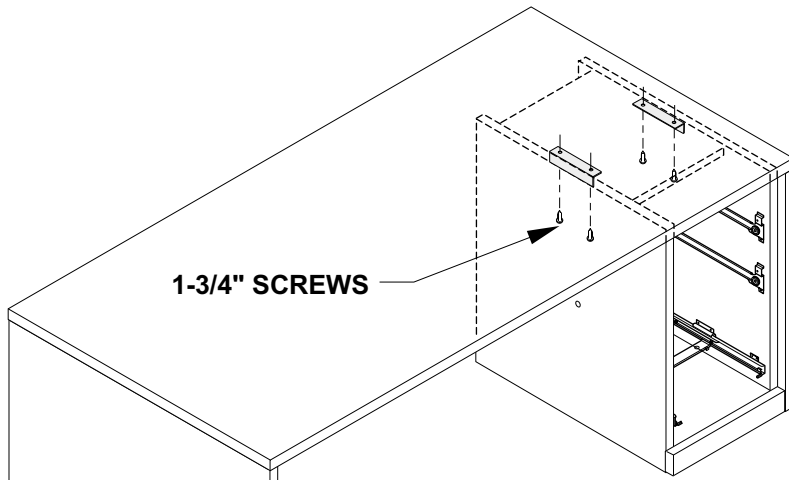
2. Slide pedestal into shell allowing (x) mm between shell end panel and pedestal end panel.

| DESCRIPTION           | DIM. X          |
|-----------------------|-----------------|
| Pedestal & Cabinet    | .91" (23.0 mm)  |
| Lateral File Pedestal | 1.16" (29.4 mm) |

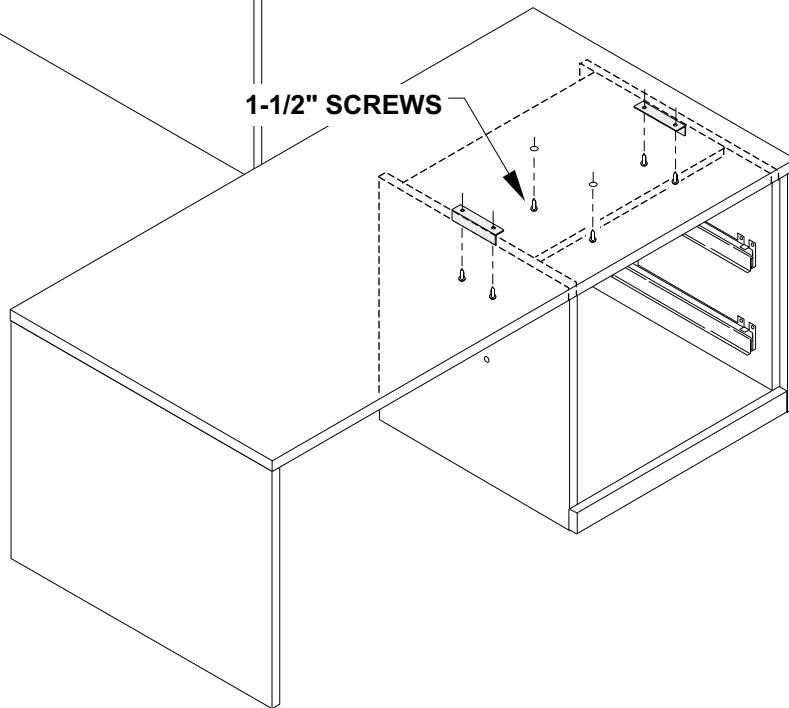


3. Install (1) 28mm shoulder screw as shown.

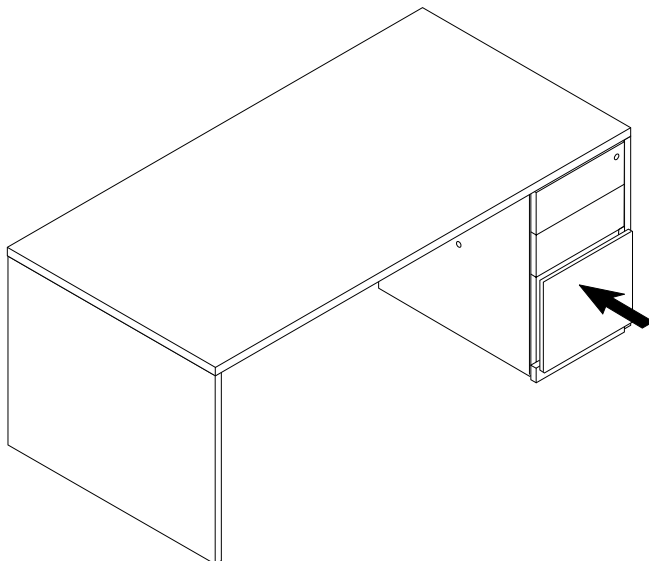




4. Install (4) 1-3/4" screws through subtop and angle brackets into top panel.

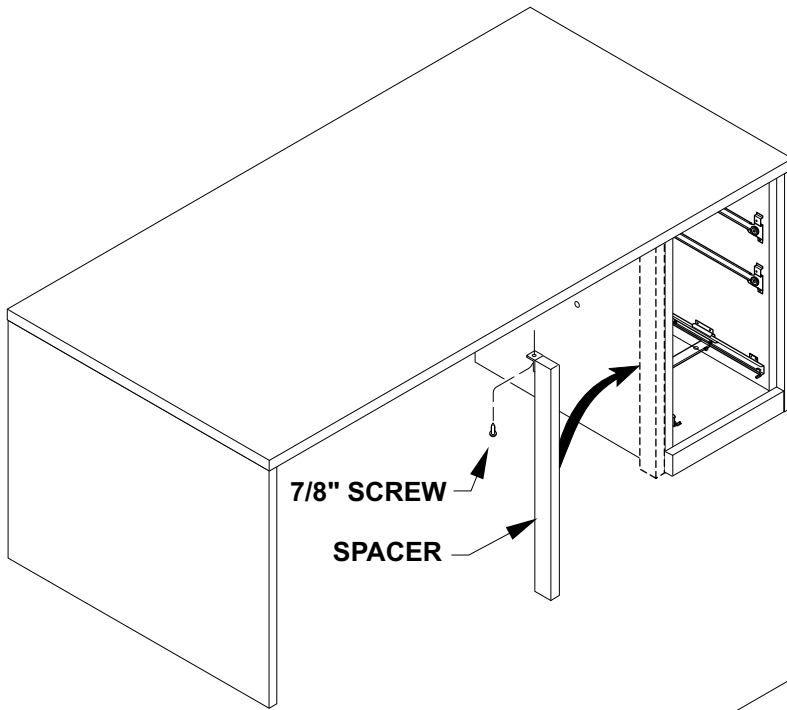


Lateral File Pedestals - Install (4) 1-3/4" screws through subtop and angle brackets, and (2) 1-1/2" screws through middle holes.

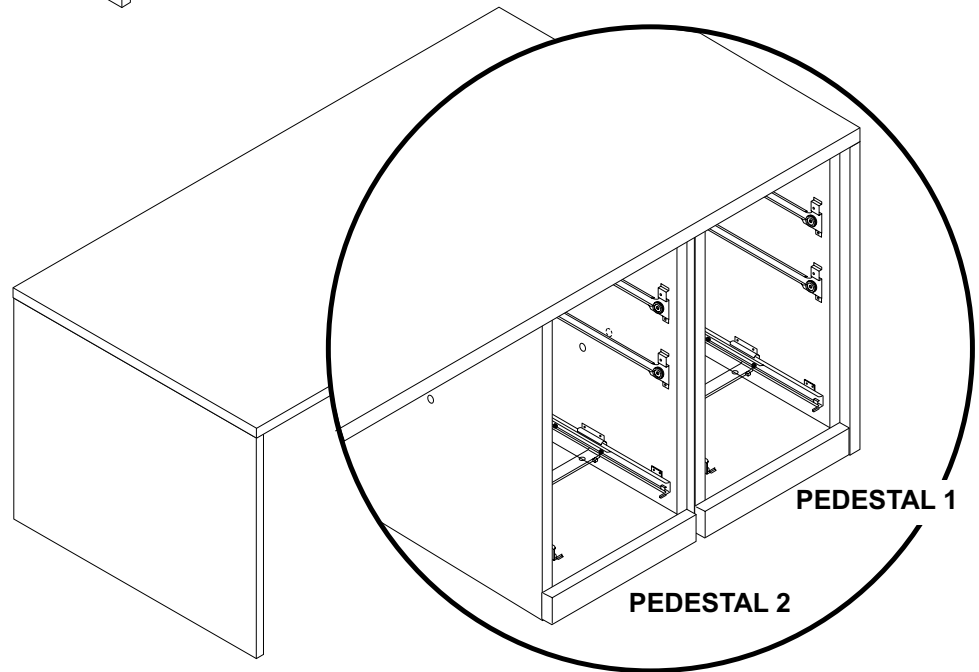


5. Reinstall drawers.

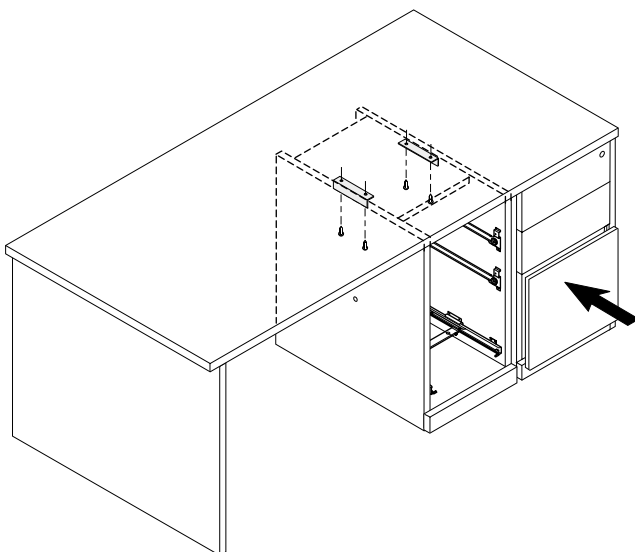
## Installation of Two Adjacent Pedestals



1. Install spacer so that 1" side faces front. Install (1) 7/8" screw through angle and into top panel.

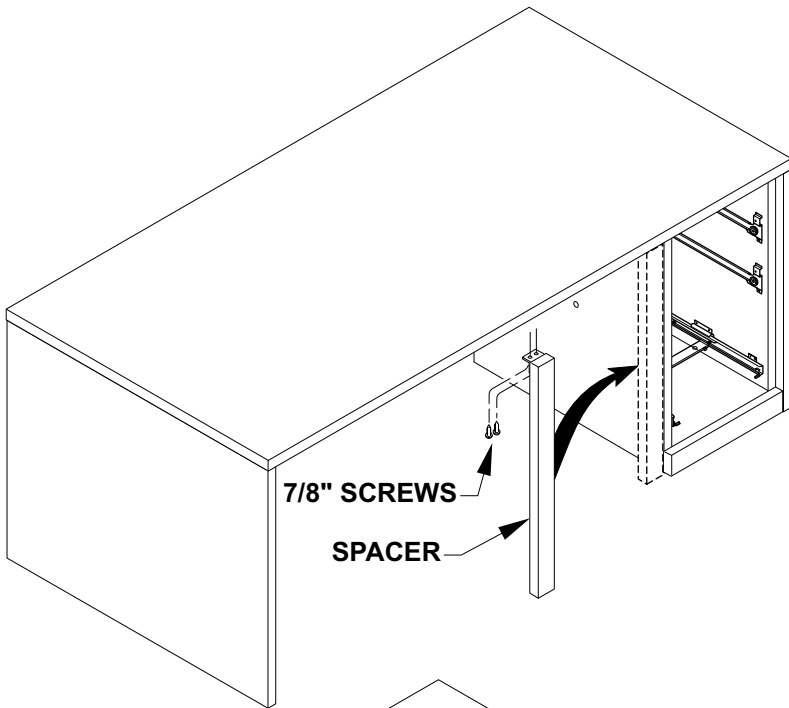


2. Slide second pedestal into place.

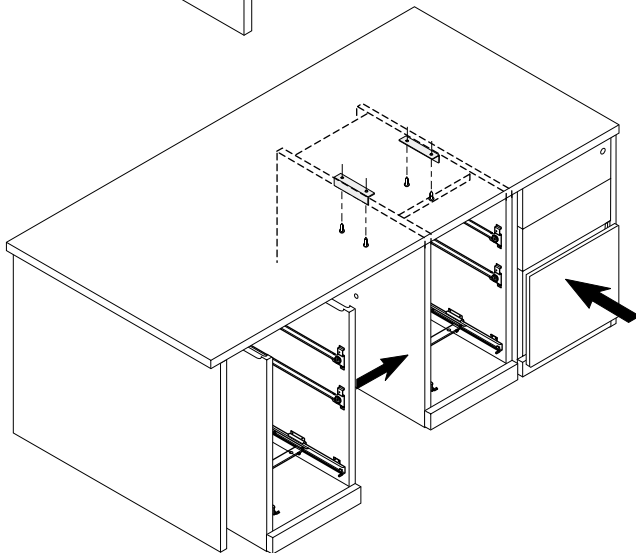


3. Install (4) 1-3/4" screws through angle brackets and sub-top. Reinstall drawers.

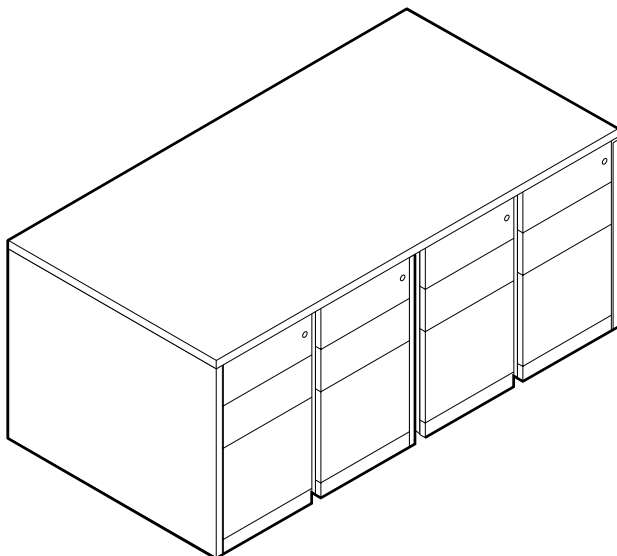
## Installation of Four Adjacent Pedestals (72" Shells only)



1. Install spacer so that 2-3/4" side faces front. Install (2) 7/8" screws through angle and into top panel.



2. Slide second pedestal into place and install (4) 1-3/4" screws through sub-top.
3. Repeat Steps 1 & 2 for third pedestal.



4. Install 4th pedestal according to Steps 1 - 5 on pages 2 and 3.