

If you have a problem, question, or request, call your local dealer, or Steelcase Line 1 at **888.STEELCASE** (888.783.3522) for immediate action by people who want to help you.

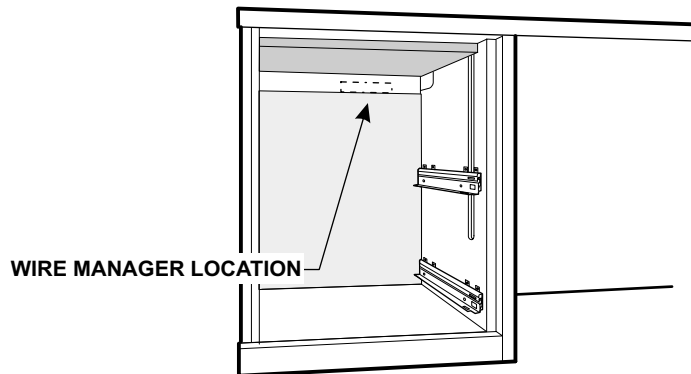
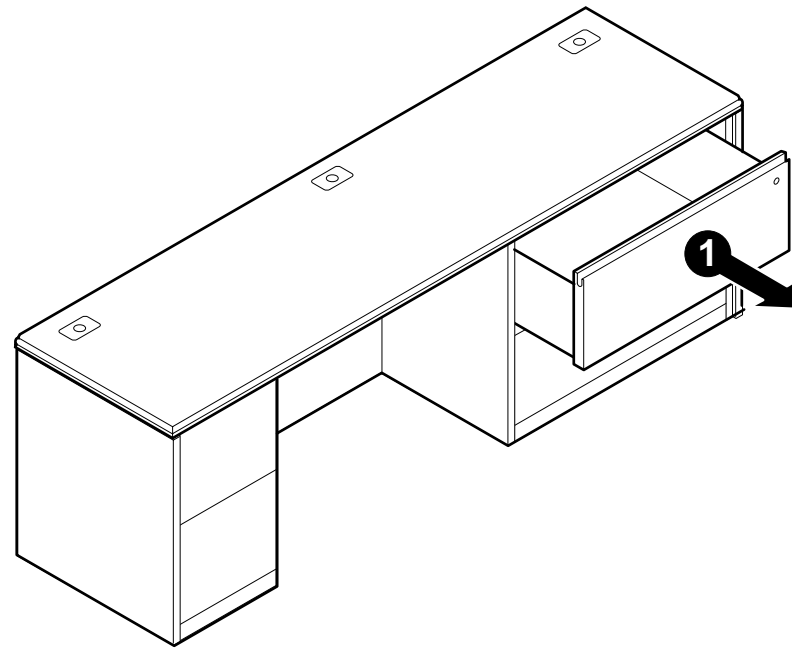
(Outside the U.S.A. Canada, Mexico, Puerto Rico, and the U.S. Virgin Islands, call: 1.616.247.2500)  
Or visit our website: [www.steelcase.com](http://www.steelcase.com)

© 2002 Steelcase Inc.  
Grand Rapids, MI 49501  
U.S.A.

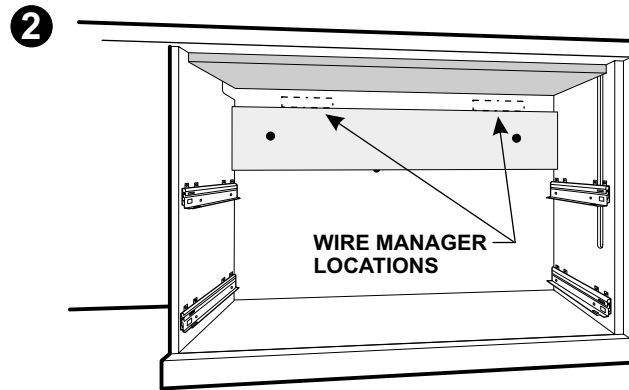
Printed in the U.S.A.

**NOTE:** Use of wire managers as depicted in this assembly direction is critical to ensure that drawer action does not interfere with wiring.

1. Remove drawers from pedestal.
2. Note locations for wire managers (one required for regular pedestals and two required for lateral files).

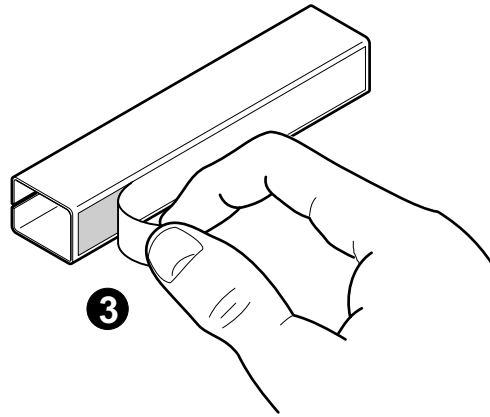


STANDARD PEDESTAL

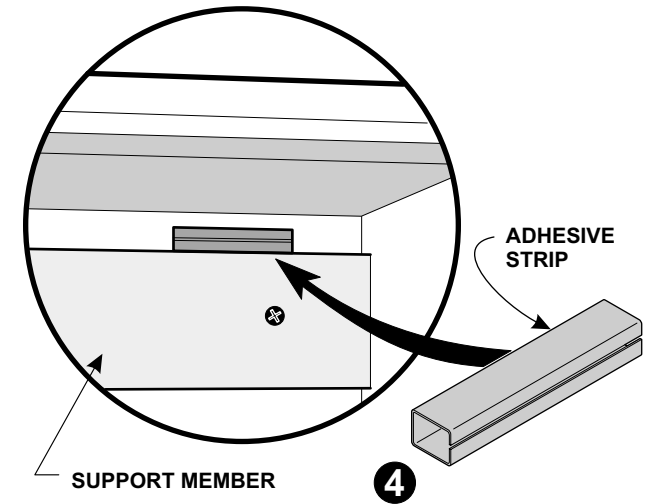


LATERAL FILE PEDESTAL

3. Peel protective backing off adhesive strip.



4. Attach wire manager(s) to back panel so that it rests upon support member.



5. Route wire through grommet in top panel and press into wire manager as shown. Wire must then be routed through wiring access hole in knee panel and into kneespace.

