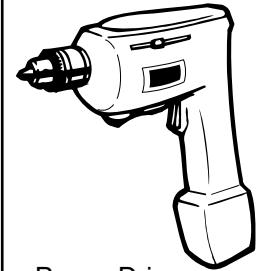
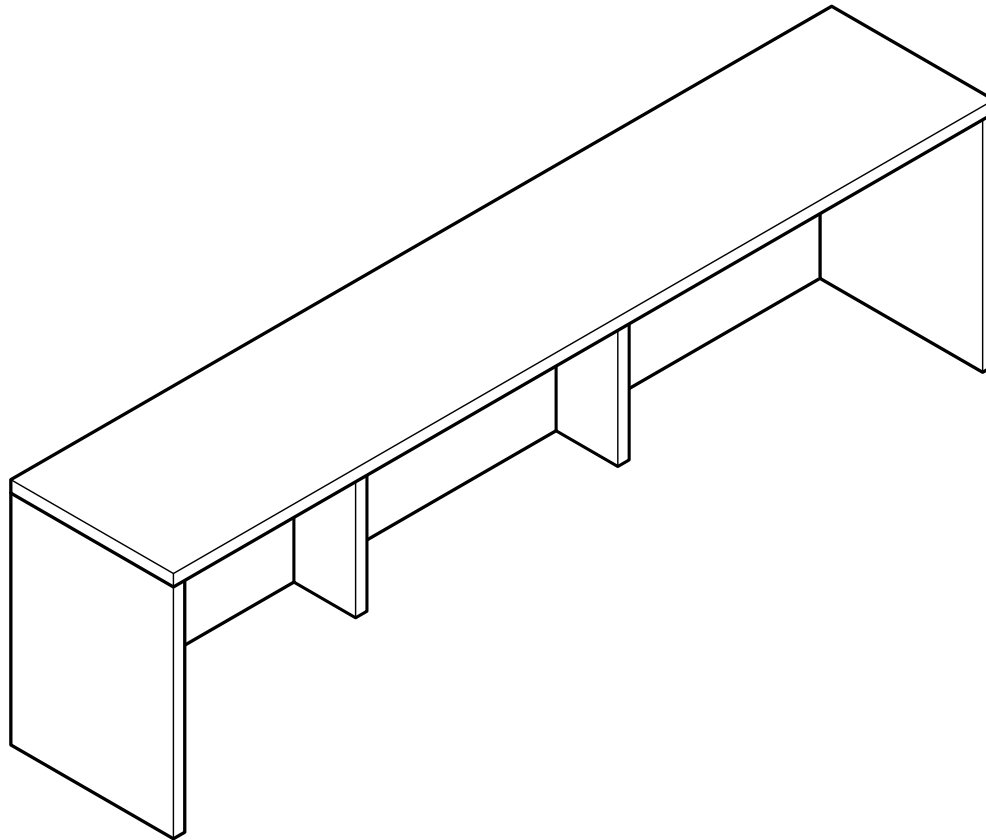
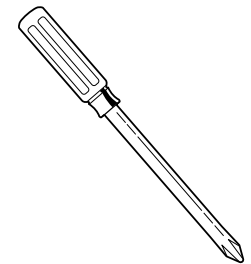
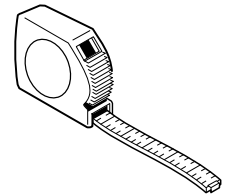


Steelcase®

Walden - 102" Credenza Shell



Power Driver
with Phillips tip

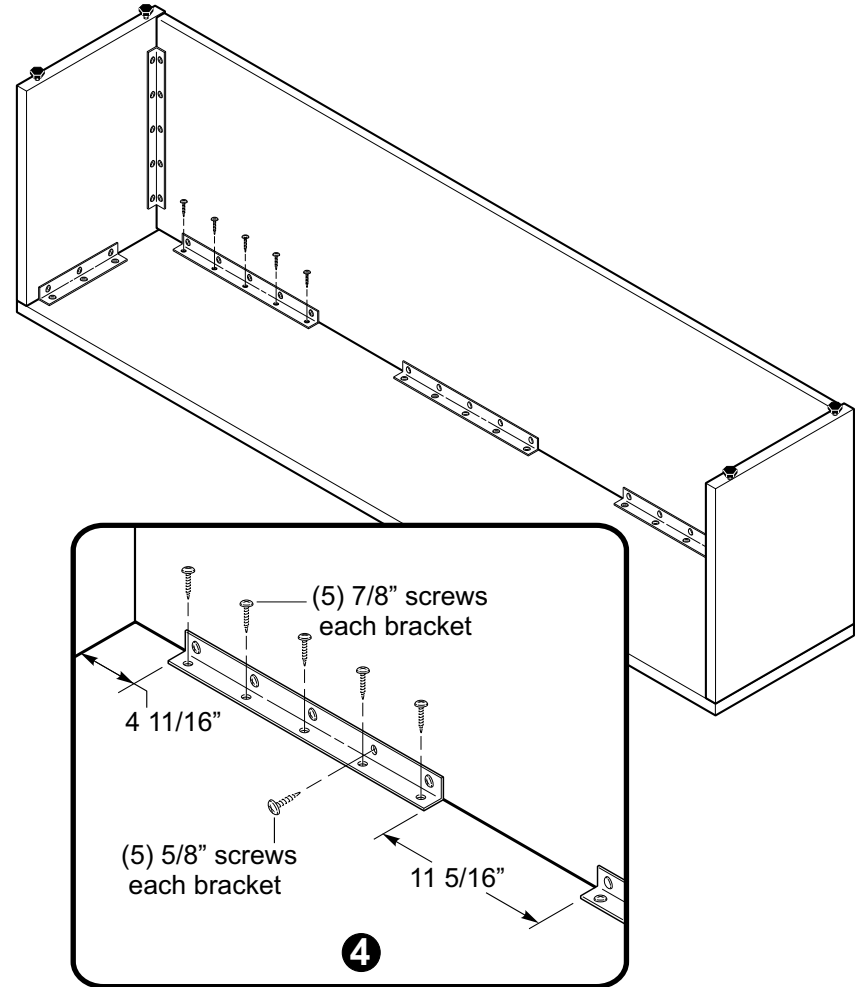
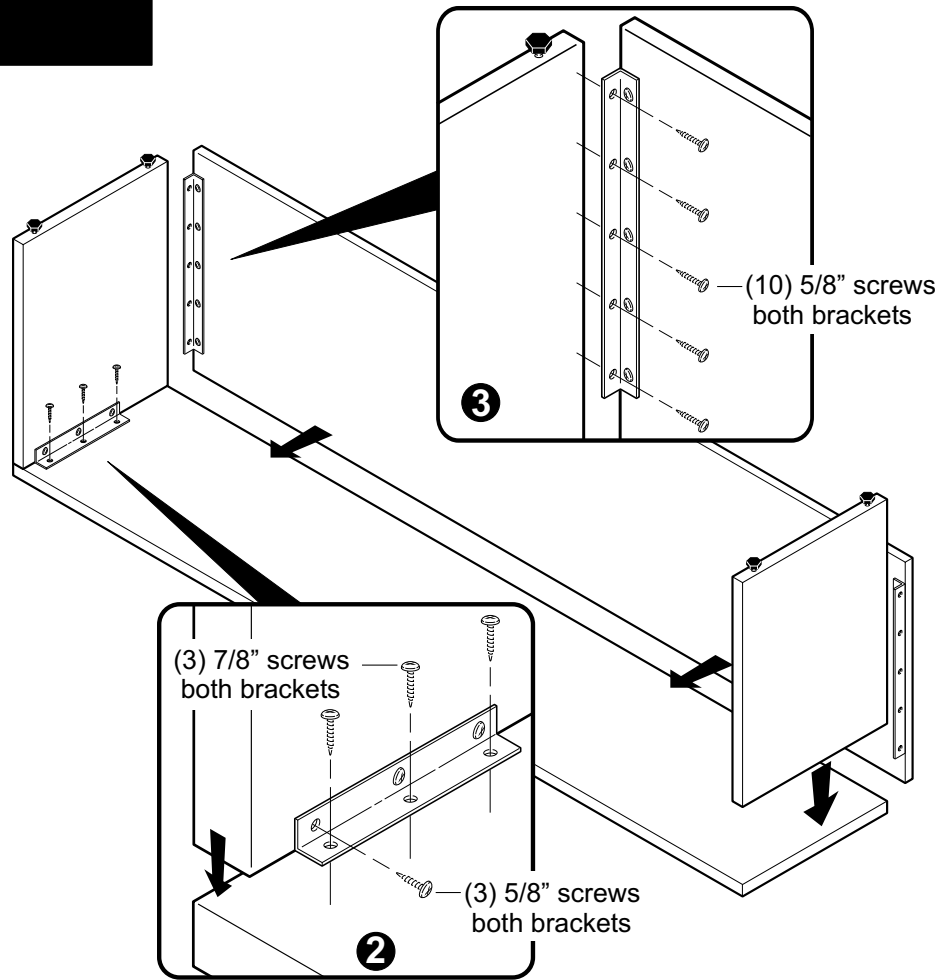


If you have a problem, question, or request, call your local dealer, or Steelcase Line 1 at **888.STEELCASE** (888.783.3522) for immediate action by people who want to help you.

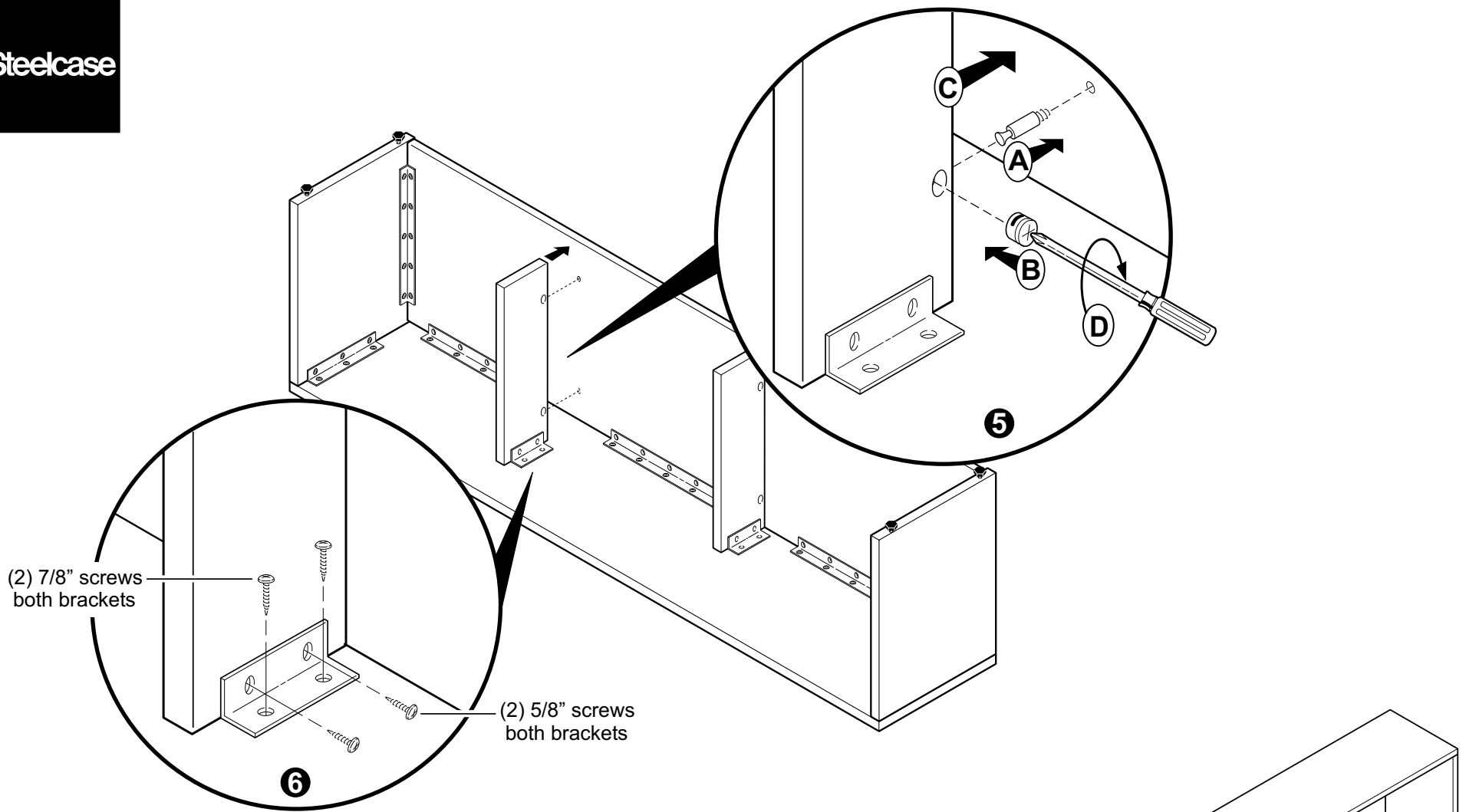
(Outside the U.S.A. Canada, Mexico, Puerto Rico, and the U.S. Virgin Islands, call: 1.616.247.2500)
Or visit our website: www.steelcase.com

© 2002 Steelcase Inc.
Grand Rapids, MI 49501
U.S.A.

Printed in the U.S.A.



1. Carefully turn top over onto carpet.
2. Install end panels to top as shown.
3. Attach back panel to end panels.
4. Secure back panel to top with (3) brackets as shown.



- 5.** Install (2) support legs to back panel.
A - Install (4) minifix bolts into back panel.
B - Place (4) cams into holes in legs.
C - Move legs into position with back panel.
D - Secure with a half turn of cams.

6. Secure legs to top as shown.

7. Carefully turn unit over and adjust levelers as needed.

